

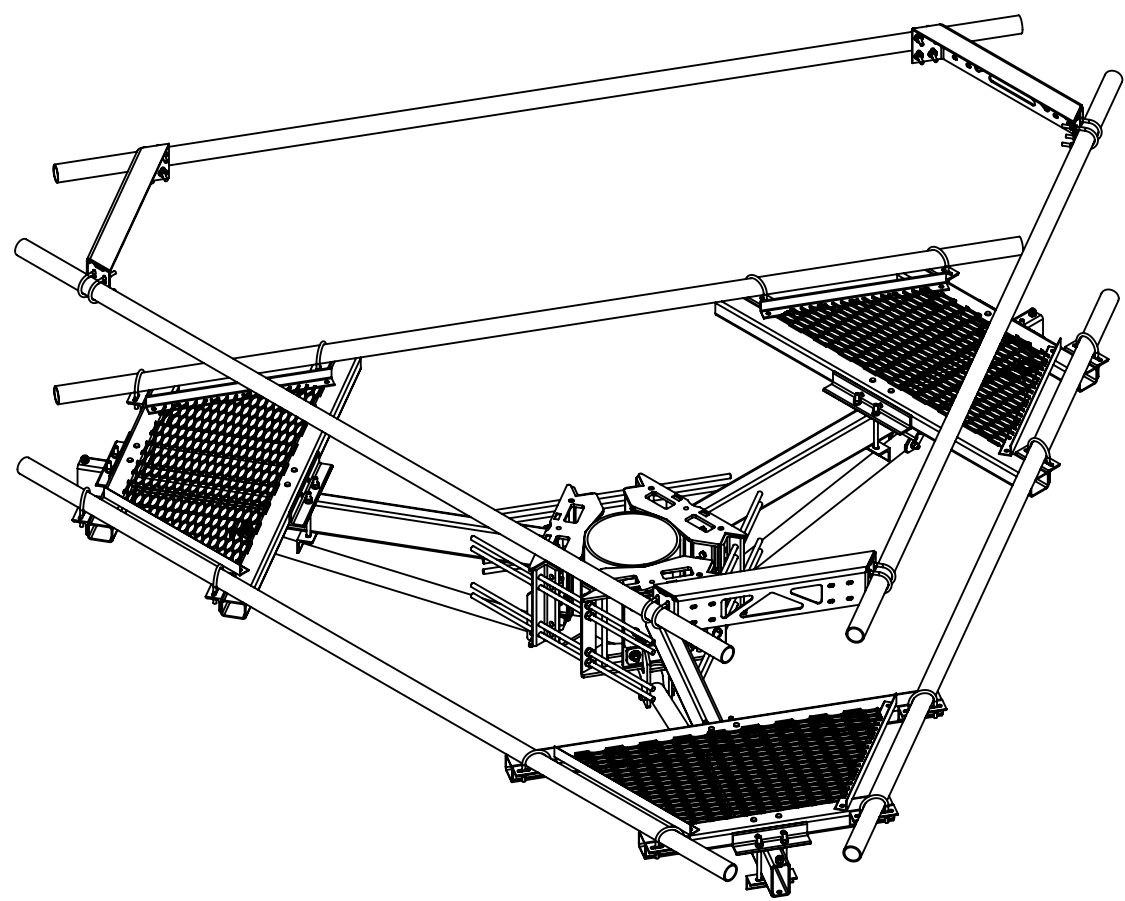
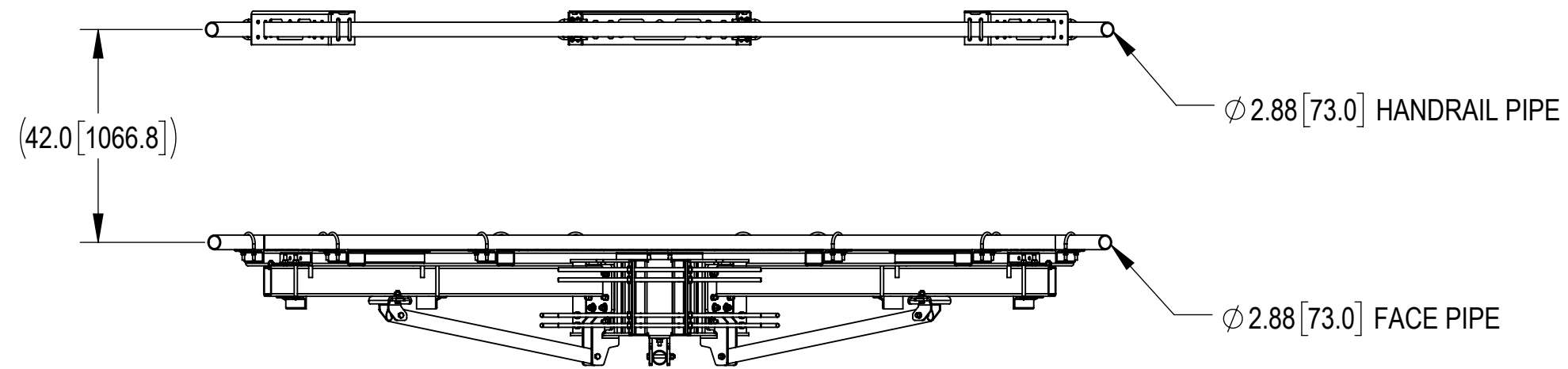
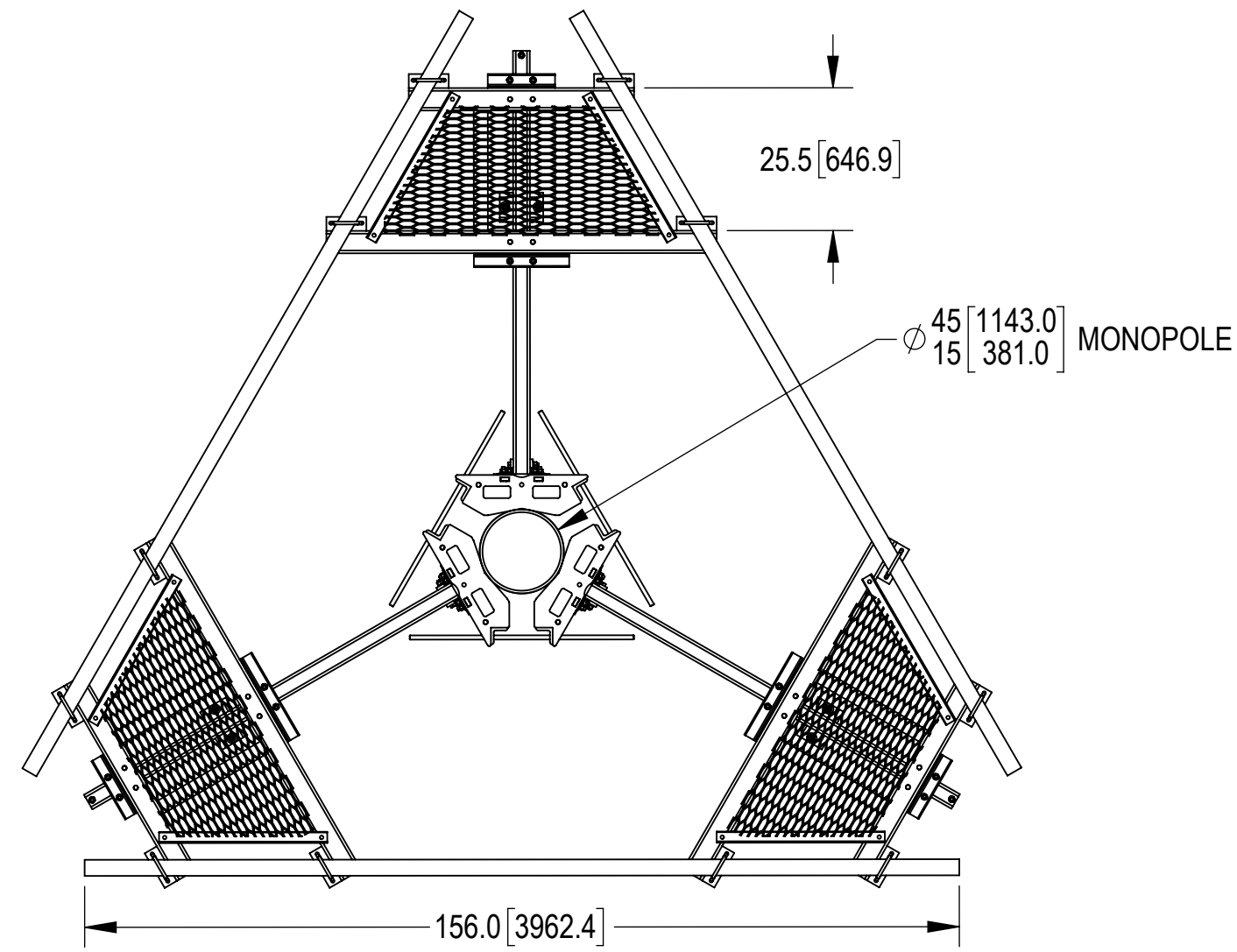
- 1.0 GENERAL NOTES
 - 1.1 ALL METRIC DIMENSIONS ARE IN BRACKETS [X.X]
 - 1.2 FOR PATENT INFO: <https://www.cs-pat.com>

- 2.0 DESIGN NOTES
 - 2.1 ANY HAZARDS OR OBSTRUCTIONS TO THE CLIMBING FACILITY AND SAFETY CLIMB MUST BE IDENTIFIED PRIOR TO INSTALLING THE APPURTENANCE. ADDITIONAL PRODUCTS MAY BE REQUIRED TO MAINTAIN THE INTEGRITY OF THE SAFETY CLIMB. DURING INSTALLATION, TEMPORARY AND/OR PERMANENT PRECAUTIONARY MEASURES SHOULD BE TAKEN TO PRESERVE THE CLIMBING FACILITY AND/OR SAFETY CLIMB.
 - 2.2 FITS MONOPOLES 15"-45" O.D.
 - 2.3 ANTENNA PIPES SHOULD BE CENTERED AND EVENLY SPACED.
 - 2.4 POSITION MOUNT OR ADJUST SAFETY CLIMB CABLE SO NOT TO HINDER OR DAMAGE OR OBSTRUCT THE SAFETY CLIMB. SAFETY CABLE ROUTING BRACKET MAY BE PURCHASED SEPARATELY.

- 3.0 MANUFACTURING/SPECIAL REQUIREMENTS
 - 3.1 TIGHTEN ALL BOLTS SECURING FLAT PLATES BY THE TURN-OF-NUT METHOD. TIGHTEN ALL U-BOLTS USING TURN-OF-NUT METHOD WITH ATTENTION TO LEAVE EQUAL DISTANCE AND EQUAL FORCE ON EACH LEG OF THE U-BOLT. ALL FASTENERS SHOULD BE TIGHTENED PER AISC 6.5.2.
 - 3.2 SUGGEST PRE-ASSEMBLE MINI KICKER BRACKET TO RING MOUNT ON THE GROUND.

- 4.0 TEST
- 5.0 PACKAGING
 - 5.1 PACKAGING SHALL MEET COMMSCOPE REQUIREMENTS PER DOCUMENT IS-PL-3005
 - 5.2 PRINTED DOCUMENT TO BE PLACED INSIDE POLYBAG AND THEN IN SHIPPING CONTAINER
 - 5.3 EXTRA HARDWARE MAY BE SUPPLIED, BAGGED AND SHIPPED

REVISIONS			
REV.	DESCRIPTION	DATE	APPROVED
C	CREATED INDIVIDUAL DRAWING	YMENG 05JUN24	CB1094 40197348CMO




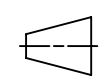
COMMSCOPE, INC. OF NORTH CAROLINA											
TOLERANCES						SAP MATERIAL MASTER					
1 PLACE .X[X] ± 0.2[6.3]			3 PLACE .XXX[X] ± 0.060[1.5]			MP-PP13M-B					
2 PLACE .XX[X] ± 0.12[3.0]			ANGLES ± 2°								
FINISH						MATERIAL					
UNLESS OTHERWISE SPECIFIED DIMENSIONS ARE IN INCHES INTERPRET PER ANSI Y 14.5M-1994			NAME		DATE		TITLE				
			CE YMENG		05JUN24		MP, 13', 3S, BASE-KIT, W/HR, 15-45"-POLE				
			RW YMENG		06/06/2024						
			AD CB1094		06/07/2024						
			RE YMENG		06/07/2024						
			ECN 40197348CMO				SCALE		DOCUMENT NO.		
							1:28		MP-PP13M-B		
DENSITY		lbs/in³		MASS		lbs		VOLUME		in³	
SURFACE AREA		55341.32		HEIGHT				LENGTH		WIDTH	
SIZE		Auth Group		INSL		MODEL		DRAWING			
C		⊕		◁		VERSION		STATUS		REVISION	
						03		RE		D	
						00		RE		C	
										SHEET	
										1 OF 10	

PART NUMBERS, WEIGHTS, & EPA

TABLE 1: CONFIGURATIONS

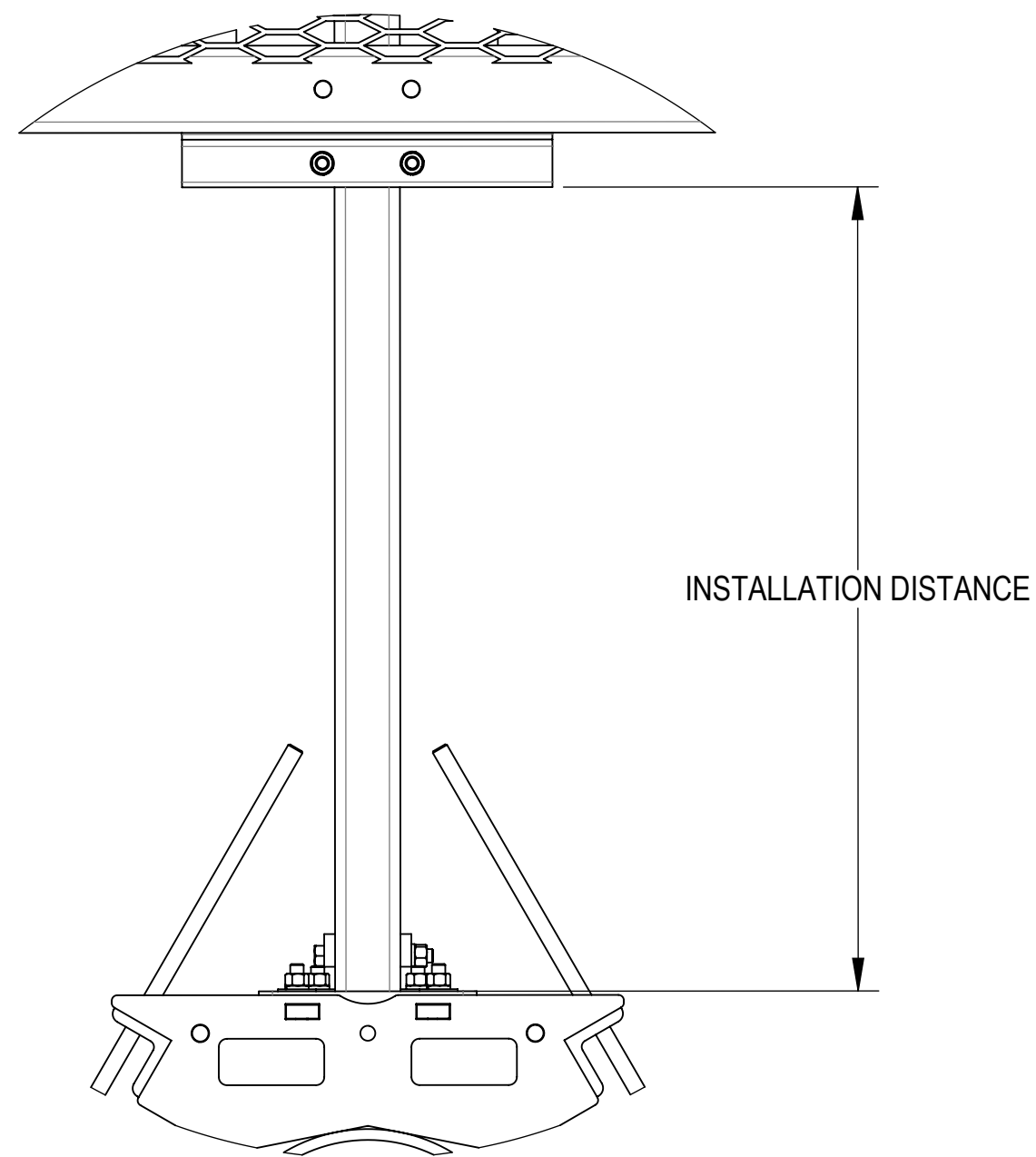
PART NUMBER	DESCRIPTION	WEIGHT (LBS)	(EPA)A (FT^2)*	(EPA)A 1/2" ICE THICKNESS (FT^2)*	ANTENNA PIPES	INCLUDED PARTS					
						MC-RMHD-1245-3	MC-AS-SB02	RK-48-3MK	MPPP-HK01	MT546156	HRK-13-12-01
MP-PP13M-B	MP,13',3S,BASE-KIT,W/HR,15-45"-POLE	1795.79	29.99	38.05	-	1	1	1	1	3	1

* (EPA)A DOES NOT INCLUDE ANTENNA PIPES AND MOUNTING HARDWARE.

COMMScope, INC. OF NORTH CAROLINA				
TITLE MP,13',3S,BASE-KIT,W/HR,15-45"-POLE				
SIZE C	SCALE 1:48	DOCUMENT NO. MP-PP13M-B		
 		DRAWING		SHEET
		VERSION 00	STATUS RE	REVISION C

PLATFORM FOR INSTALLATION

ADJUST THE INSTALLATION DISTANCE ACCORDING TO THE DIAMETER OF THE MONOPOLE WHEN INSTALL PLATFORM MC-AS-4000-00.
SEE TABLE 3 DETAIL FOR THE DISTANCE ADJUSTED.



DETAIL X
SCALE 1 : 8

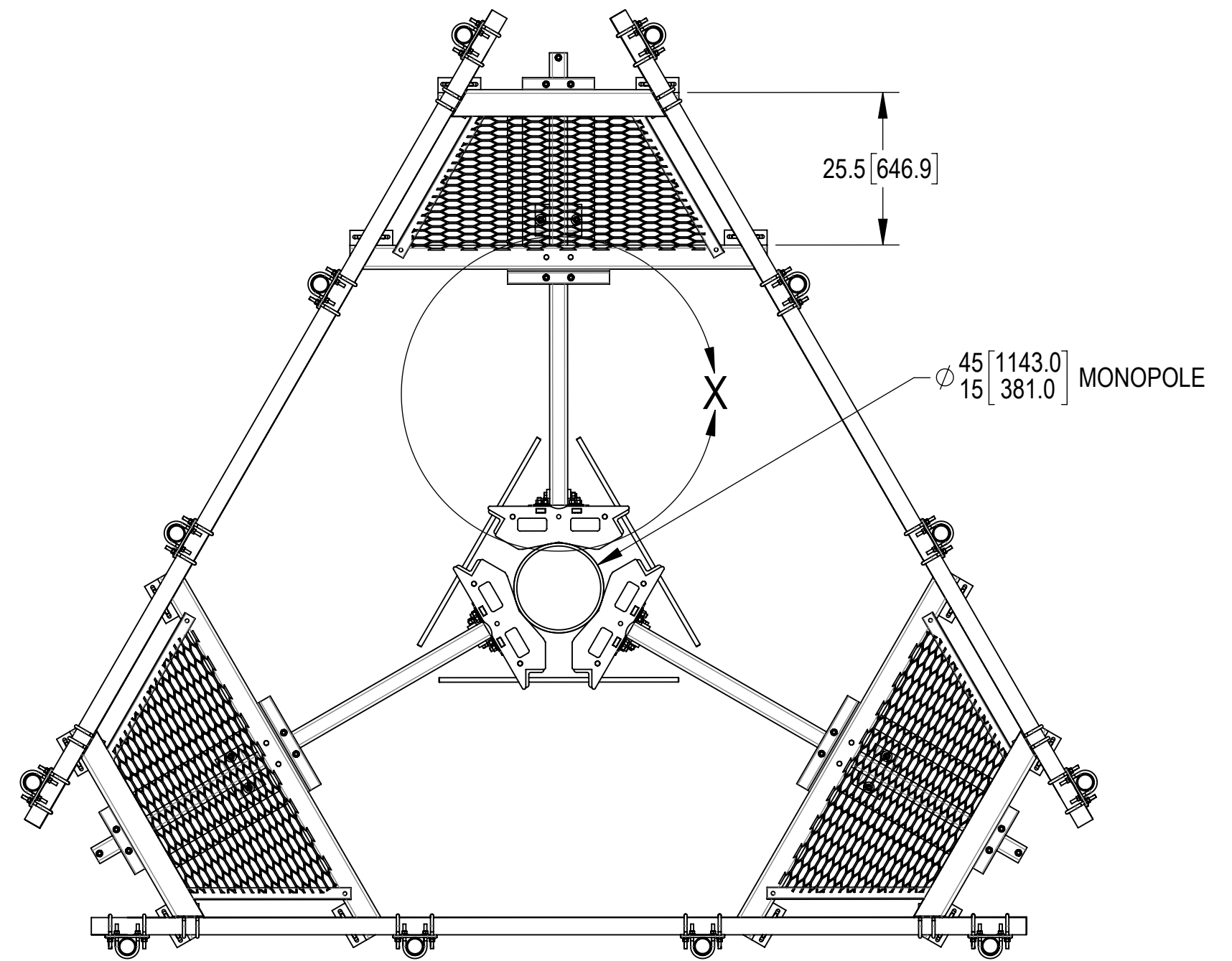
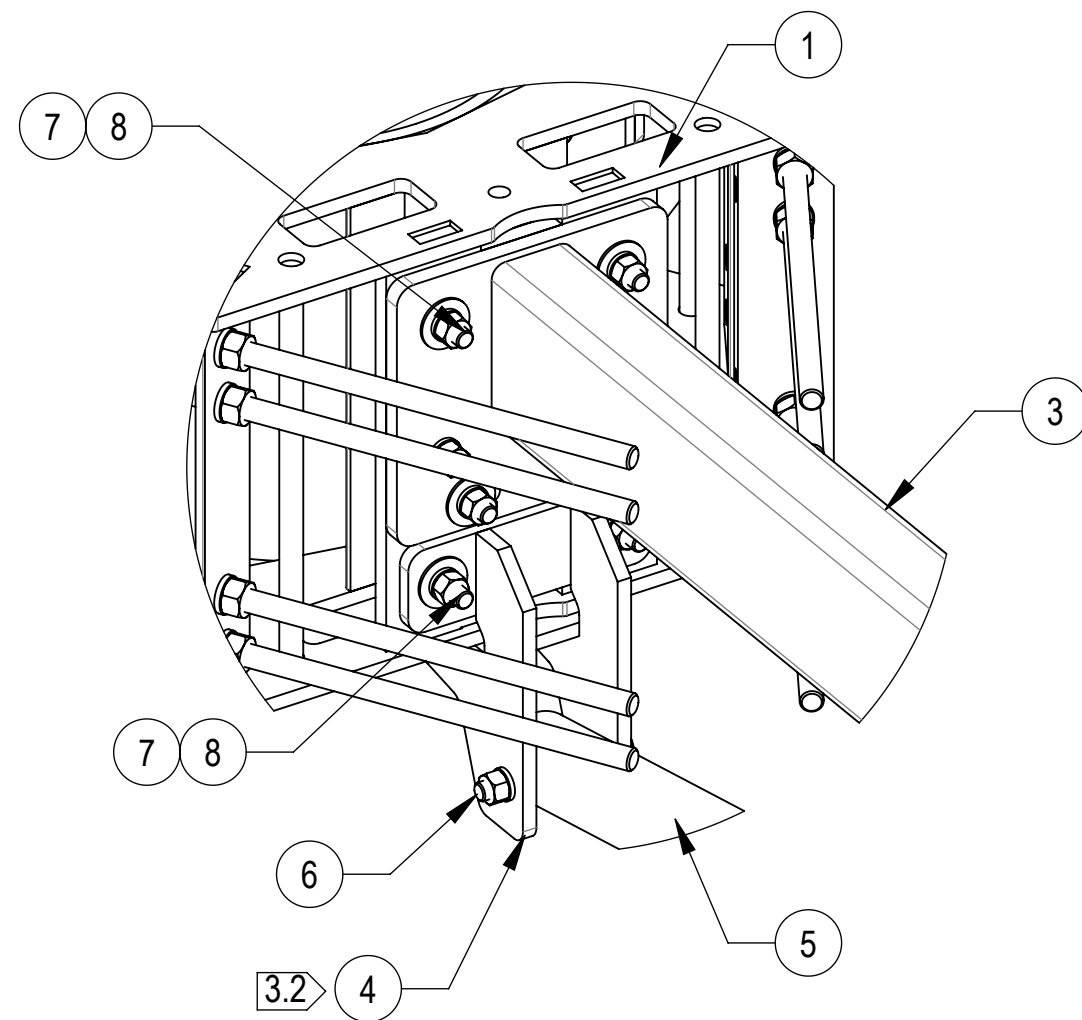


TABLE 3: PLATFORM INSTALLATION POSITION

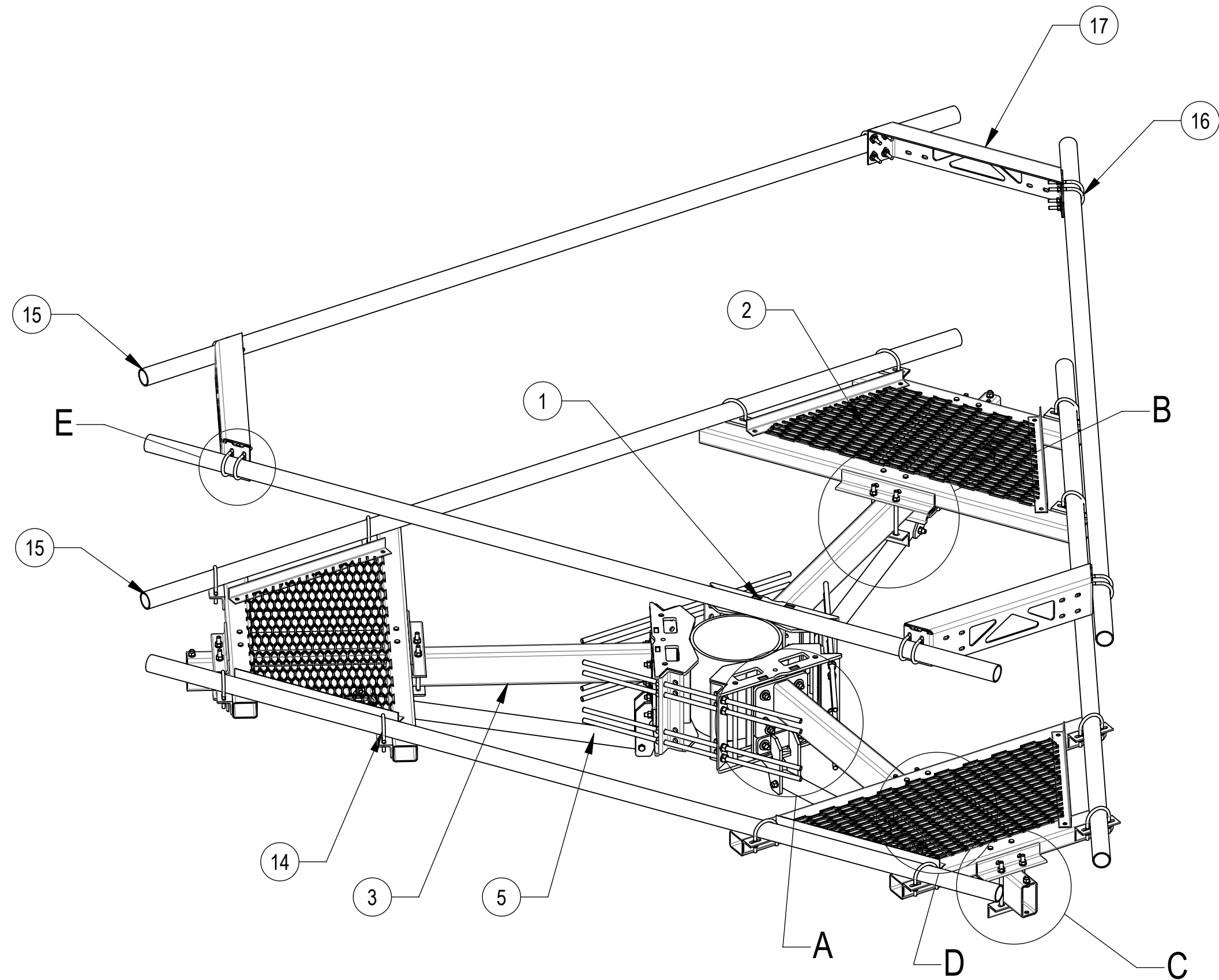
DIAMETER OF MONOPOLE (INCH)	DISTANCE (INCH)	DIAMETER OF MONOPOLE (MM)	DISTANCE (MM)
15	36.89	381.0	937.0
17.5	35.62	444.5	904.7
20	34.34	508.0	872.2
22.5	33.07	571.5	840.0
25	31.79	635.0	807.5
27.5	30.52	698.5	775.2
30	29.24	762.0	742.7
32.5	27.97	825.5	710.4
35	26.70	889.0	678.2
37.5	25.42	952.5	645.7
40	24.15	1016.0	613.4
42.5	22.87	1079.5	580.9
45	21.60	1143.0	548.6

NOTE: FOR MONOPOLE DIAMETERS THAT ARE NOT IN THE TABLE, USE BELOW FORMULA TO GET THE VALUE OF THE ADJUSTMENT:
DISTANCE OF ADJUSTMENT = 44.54 - 0.51*D (INCH), WHERE D(INCH) IS THE DIAMETER OF MONOPOLE

COMMSCOPE, INC. OF NORTH CAROLINA			
TITLE MP,13',3S,BASE-KIT,W/HR,15-45"-POLE			
SIZE C	SCALE 1:23	DOCUMENT NO. MP-PP13M-B	
DRAWING			SHEET
VERSION 00	STATUS RE	REVISION C	3 OF 10



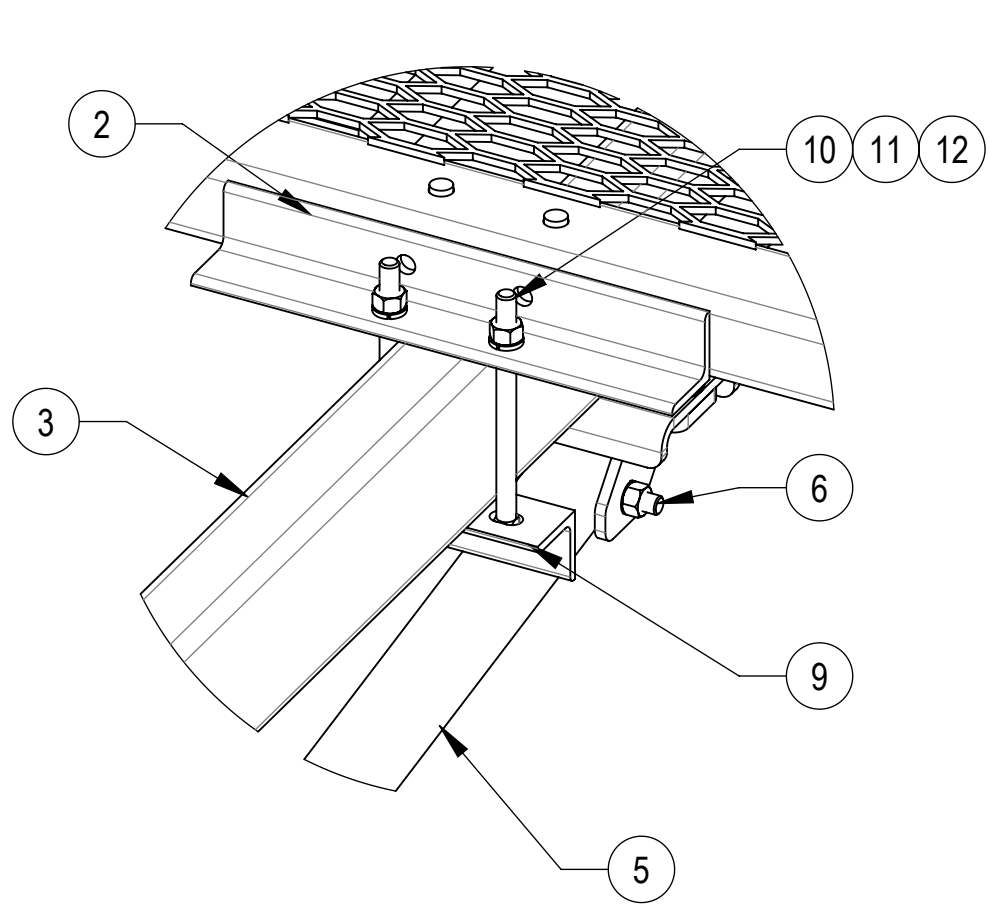
DETAIL A
SCALE 1 : 6



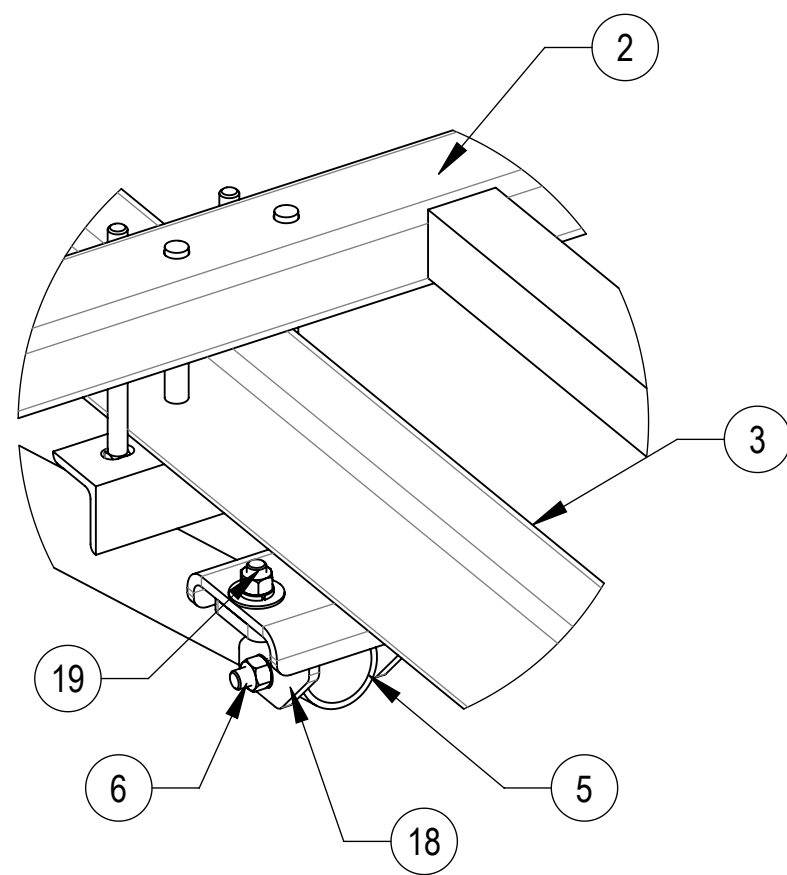
COMPONENT PART NUMBERS PROVIDED FOR ASSEMBLY PURPOSES;
INDIVIDUAL COMPONENTS MAY BE SHIPPED AS PARTS WITHIN AN INCLUDED KIT.

ITEM NO.	PART NUMBER	DESCRIPTION	QTY.	WEIGHT	NOTE NO.
1	MC-RMHD-1245-3	3 SECTOR RING MOUNT, 12"-45" POLE	1	329.19 LBS	
2	MC-AS-4000-00	WELDMENT, CO-LOCATION PLATFORM DECK	3	142.23 LBS	
3	MC-AS-5000-00	WELDMENT, MONO PLATF SPINDLE	3	107.22 LBS	
4	MC-AS-6100-00	WELDMENT, MINI KICKER BRACKET	3	14.77 LBS	
5	RK48-00	MINI KICKER ARM SUPPORT TUBE 48"	3	22.96 LBS	
6	GB-0550A	5/8" X 5" GALV BOLT KIT (A325)	6	0.52 LBS	
7	GWF-05	5/8" GALV FLAT WASHER, 1.7OD	33	0.06 LBS	
8	GB-0524A	5/8" X 2-1/2" GALV HEX BOLT (A325)	27	0.31 LBS	
9	MC-AS-1200-00	CLAMP PLATE, CO-LOCATION PLATFORM	6	2.97 LBS	
10	9615-14	BOLT,CARRIAGE,5/8-11,8.5,STL GALV	12	0.82 LBS	
11	GWL-05	5/8" GALV LOCK WASHER	12	0.03 LBS	
12	GN-05	5/8" GALV HEX NUT	12	0.08 LBS	
13	GB-05125	5/8" X 1-1/4" GALV BOLT KIT	3	0.20 LBS	
14	GUB-4355	1/2" X 3-5/8" X 5" GALV U-BOLT	12	0.71 LBS	
15	MT546156	2.875" O.D. X 156" PIPE	6	75.58 LBS	
16	GUB-4352	1/2" X 3" X 5-1/4" GALV U-BOLT	12	0.71 LBS	
17	MC-AS-6200-00	CORNER WELDMEMT, HANDRAIL	3	23.91 LBS	
18	MC-AS-6400-00	WELDMENT, MINI KICKER CLIP	3	5.97 LBS	
19	GB-0520A	5/8" X 2" GALV BOLT KIT (A325)	6	0.26 LBS	

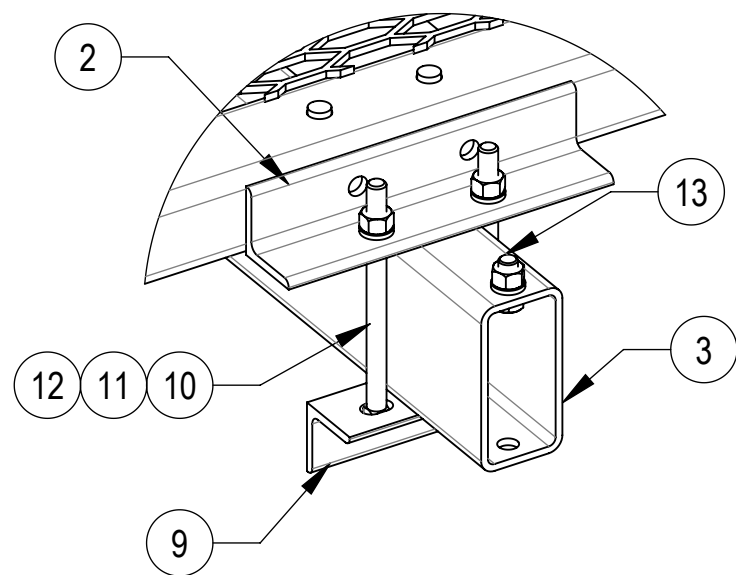
COMMSCOPE, INC. OF NORTH CAROLINA				
TITLE MP,13',3S,BASE-KIT,W/HR,15-45"-POLE				
SIZE C	SCALE 1:20	DOCUMENT NO. MP-PP13M-B		
DRAWING		VERSION	STATUS	REVISION
		00	RE	C
				SHEET 4 OF 10



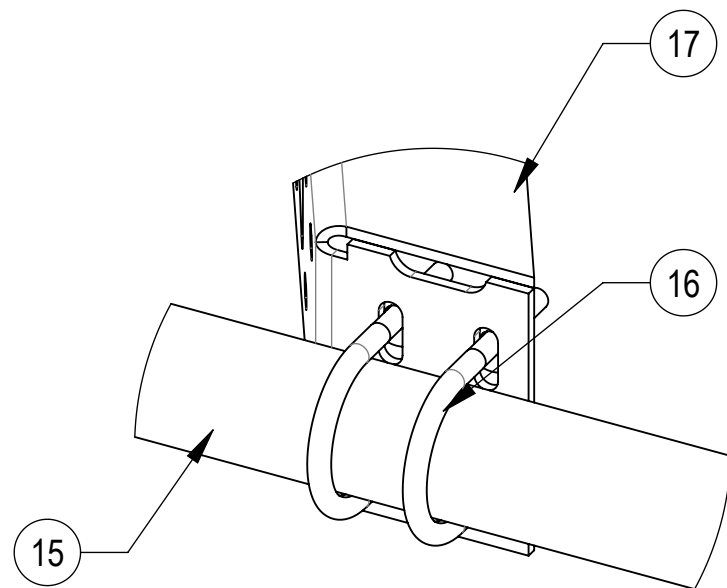
DETAIL B
SCALE 1:6



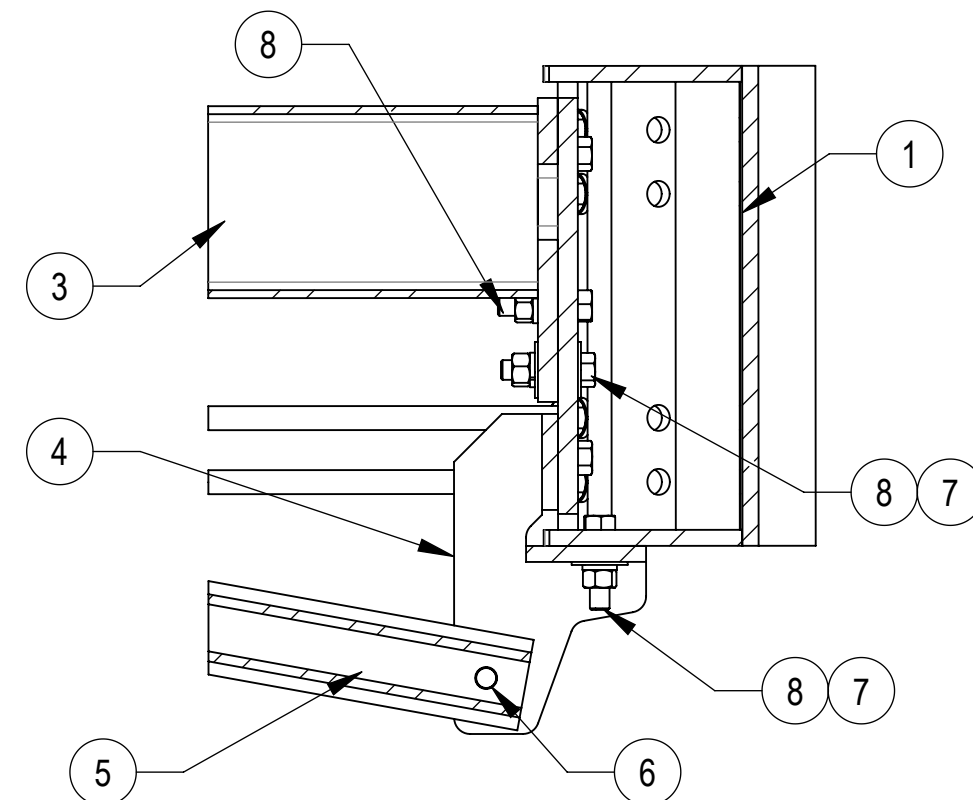
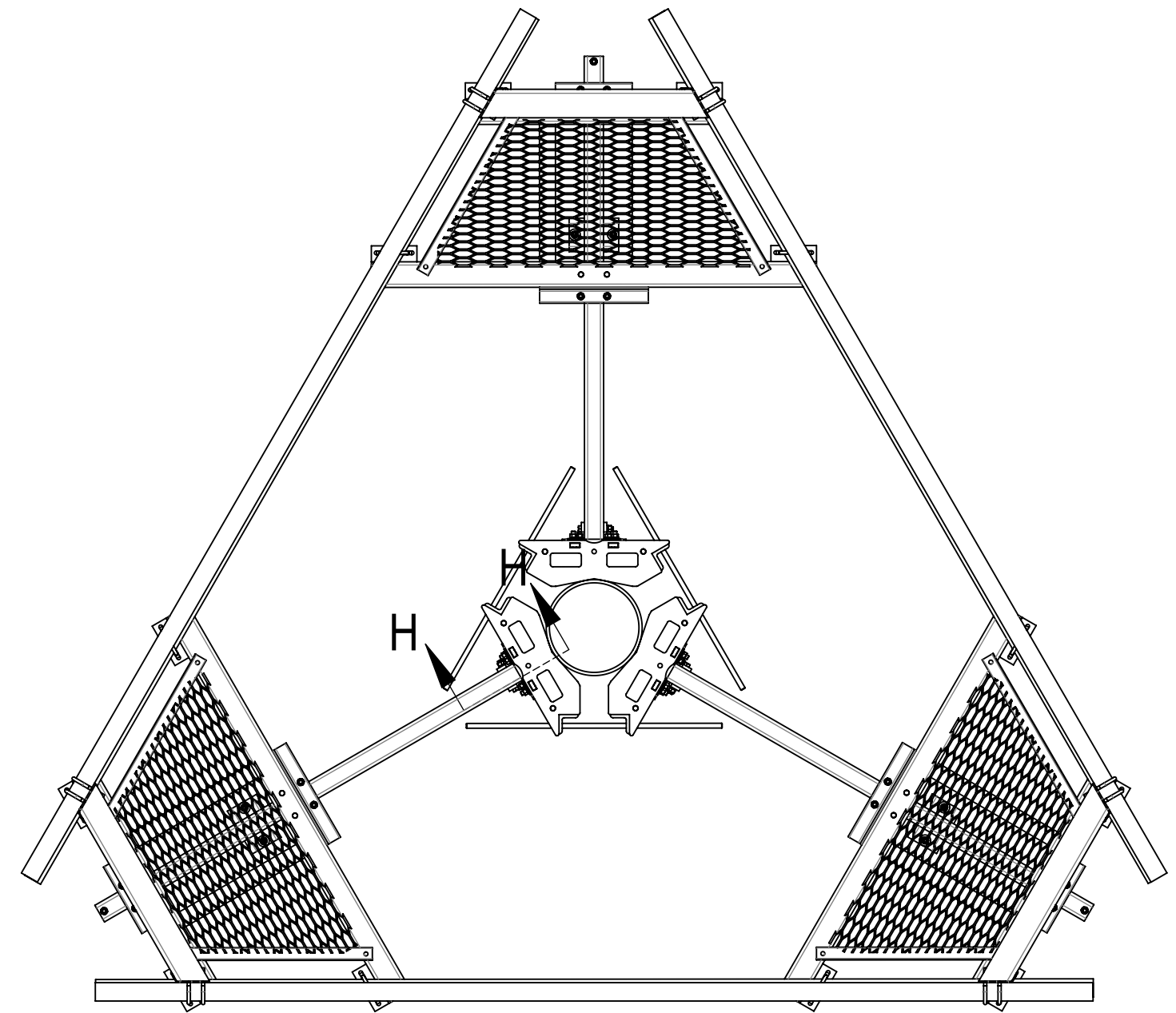
DETAIL D
SCALE 1:6



DETAIL C
SCALE 1:6



DETAIL E
SCALE 1:4



SECTION H-H
SCALE 1:6

SOME ITEMS OMITTED FOR CLARITY

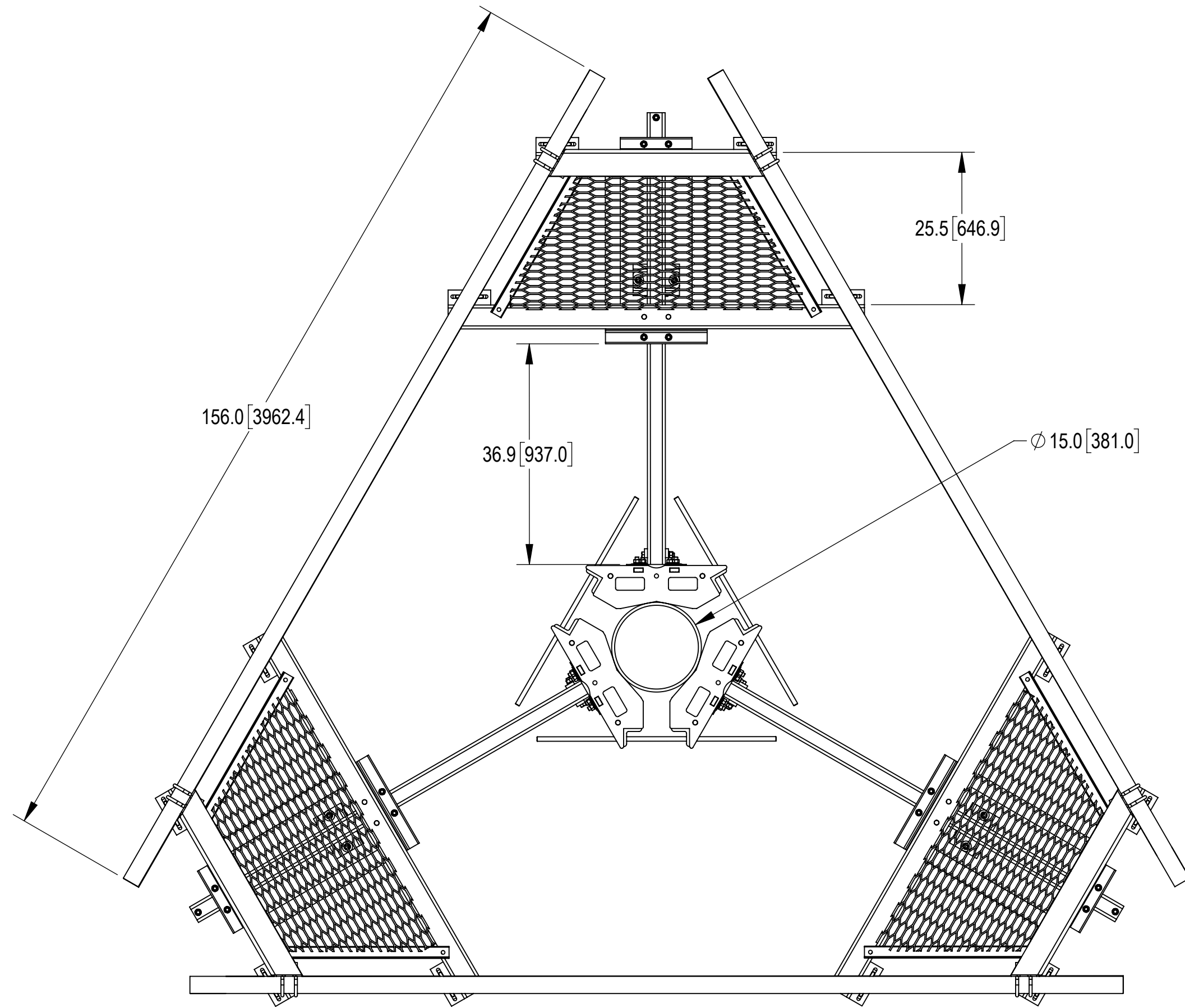
COMMSCOPE, INC. OF NORTH CAROLINA				
TITLE MP,13',3S,BASE-KIT,W/HR,15-45"-POLE				
SIZE C	SCALE 1:20	DOCUMENT NO. MP-PP13M-B		
		DRAWING		SHEET
		VERSION	STATUS	REVISION
		00	RE	C
				5 OF 10

4

3

2

1



15" MONOPOLE

COMMSCOPE, INC. OF NORTH CAROLINA				
TITLE MP,13',3S,BASE-KIT,W/HR,15-45"-POLE				
SIZE C	SCALE 1:23	DOCUMENT NO. MP-PP13M-B		
		DRAWING		SHEET
		VERSION	STATUS	REVISION
		00	RE	C
				6 OF 10

4

3

2

1

D

D

C

C

B

B

A

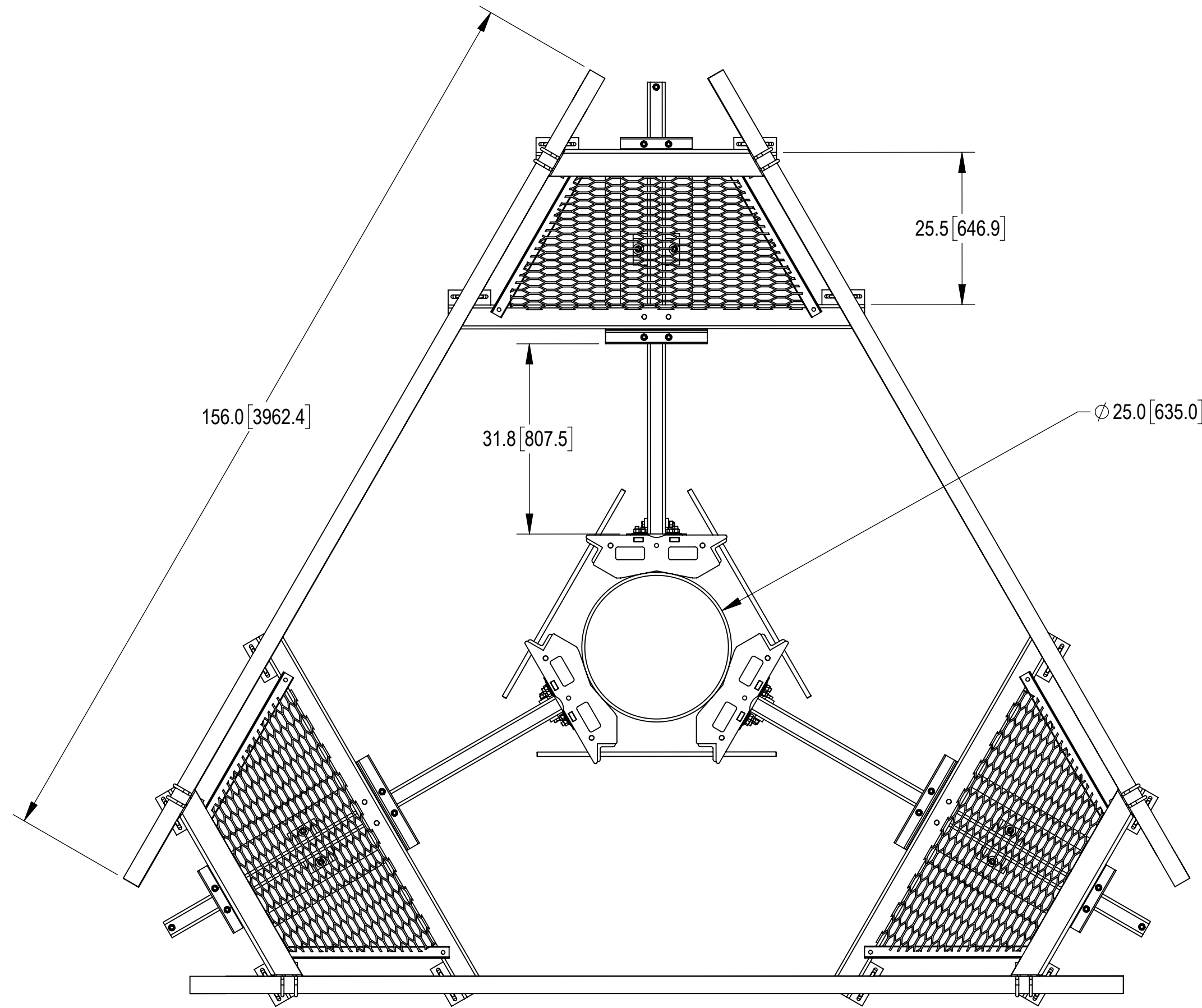
A

4

3

2

1



25" MONOPOLE

COMMSCOPE, INC. OF NORTH CAROLINA				
TITLE MP,13',3S,BASE-KIT,W/HR,15-45"-POLE				
SIZE C	SCALE 1:23	DOCUMENT NO. MP-PP13M-B		
		DRAWING		SHEET
		VERSION	STATUS	REVISION
		00	RE	C
				7 OF 10

4

3

2

1

4

3

2

1

B

B

C

C

D

D

A

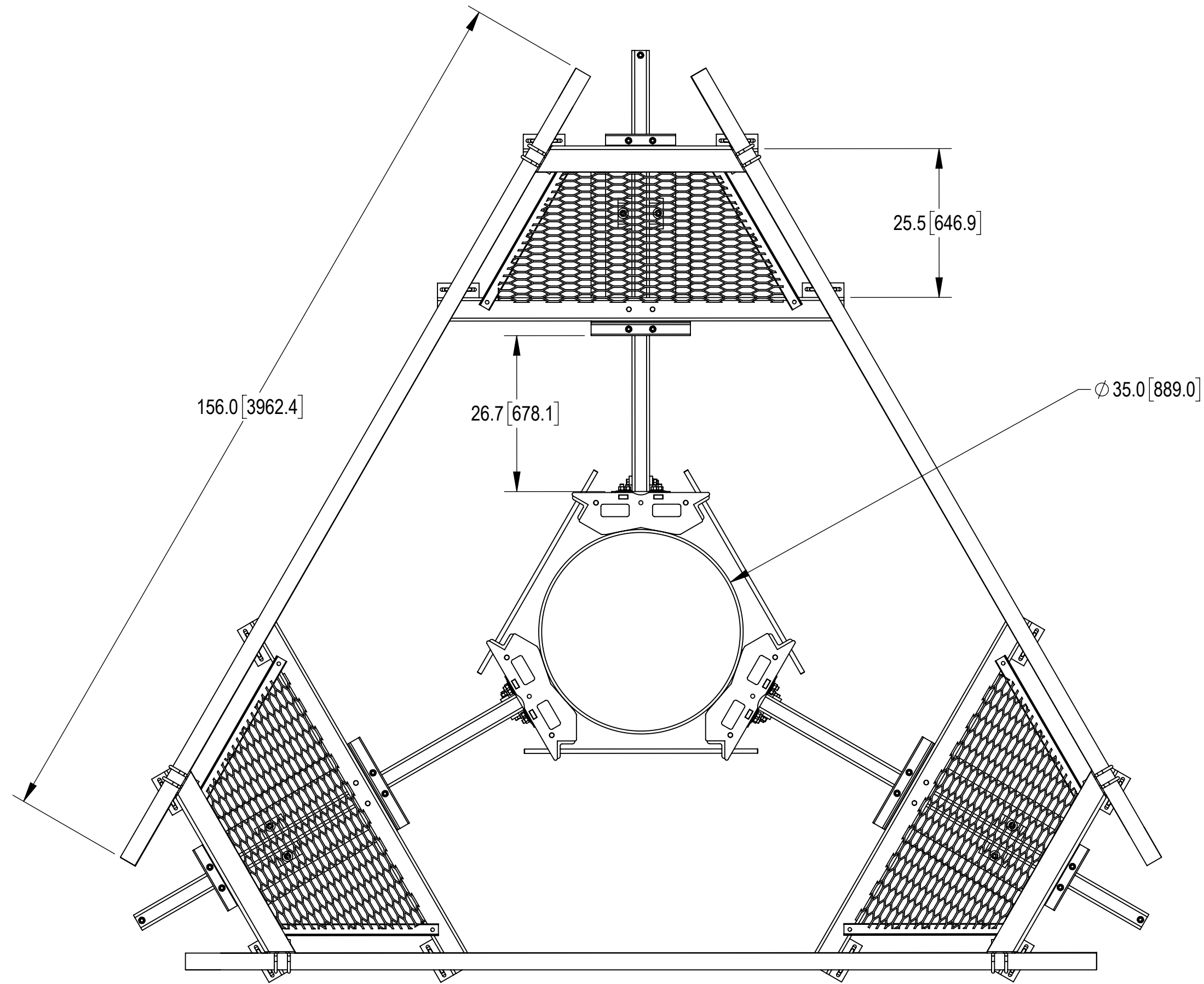
A

4

3

2

1



35" MONOPOLE

COMMSCOPE, INC. OF NORTH CAROLINA				
TITLE MP,13',3S,BASE-KIT,W/HR,15-45"-POLE				
SIZE C	SCALE 1:23	DOCUMENT NO. MP-PP13M-B		
		DRAWING		SHEET
		VERSION	STATUS	REVISION
		00	RE	C
				8 OF 10

4

3

2

1

D

C

B

A

D

C

B

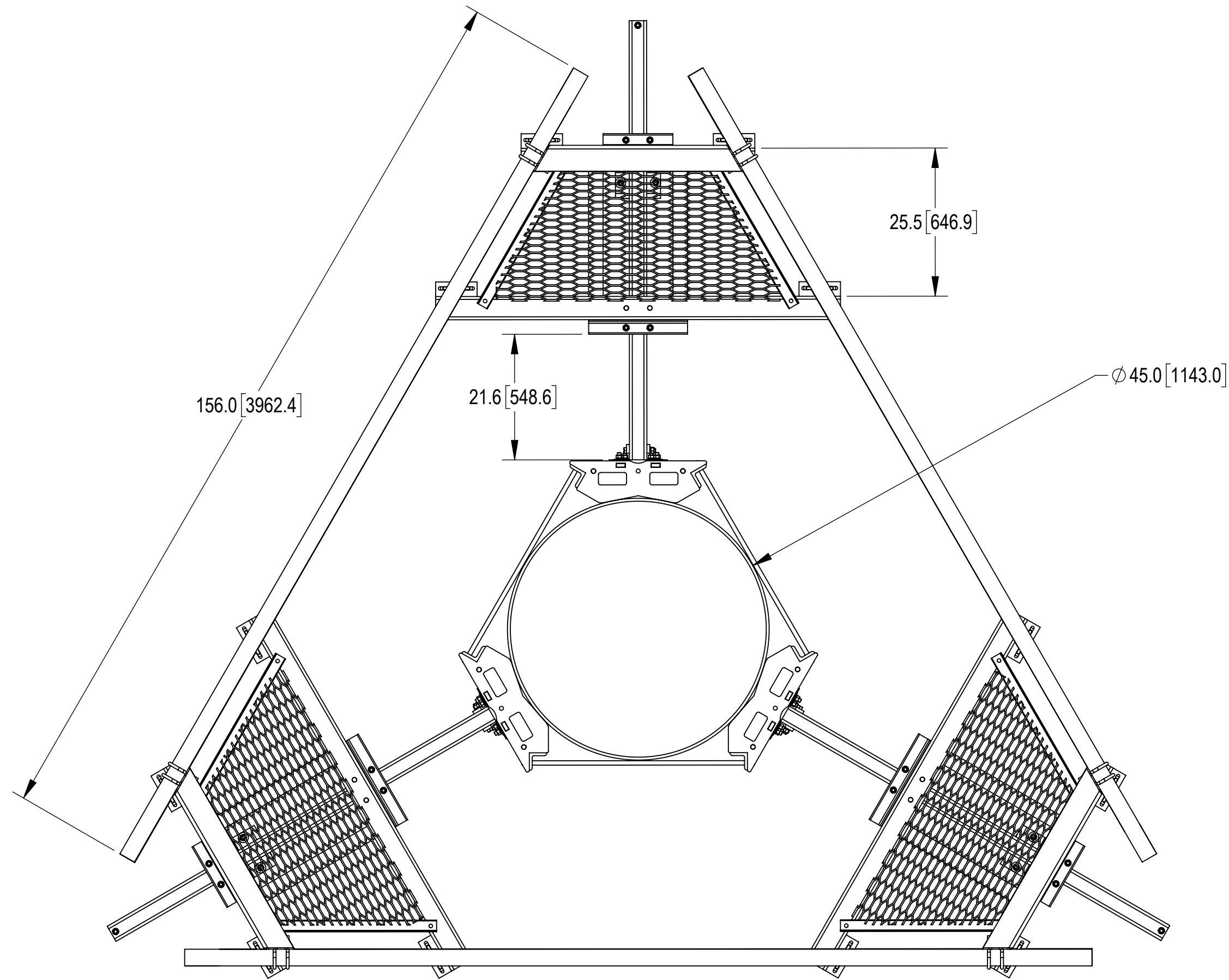
A

4

3

2

1



45" MONOPOLE

COMMSCOPE, INC. OF NORTH CAROLINA				
TITLE MP,13',3S,BASE-KIT,W/HR,15-45"-POLE				
SIZE C	SCALE 1:23	DOCUMENT NO. MP-PP13M-B		
		DRAWING		SHEET
		VERSION	STATUS	REVISION
		00	RE	C
				9 OF 10

4

3

2

1

D

C

B

A

D

C

B

A

4

3

2

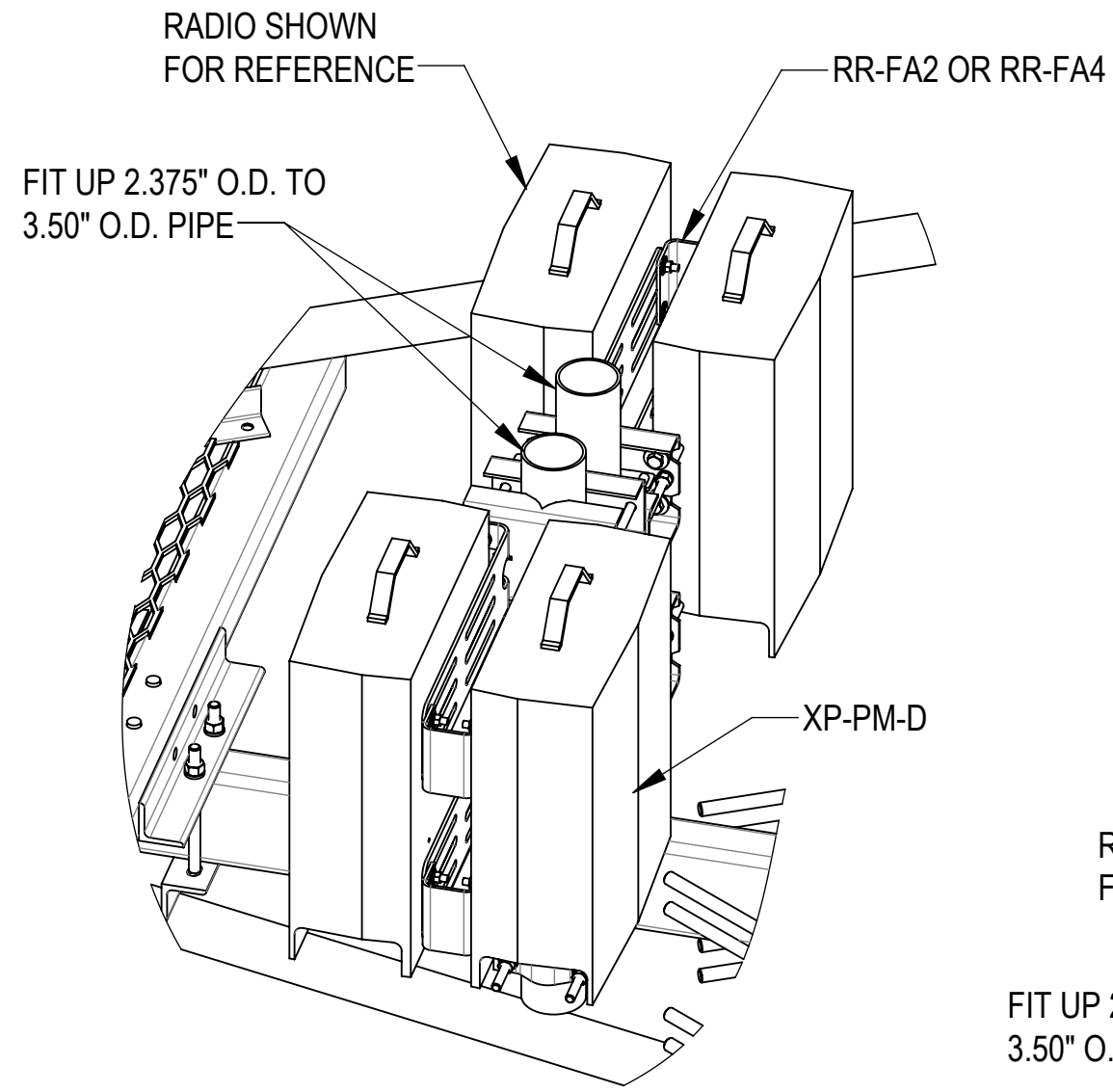
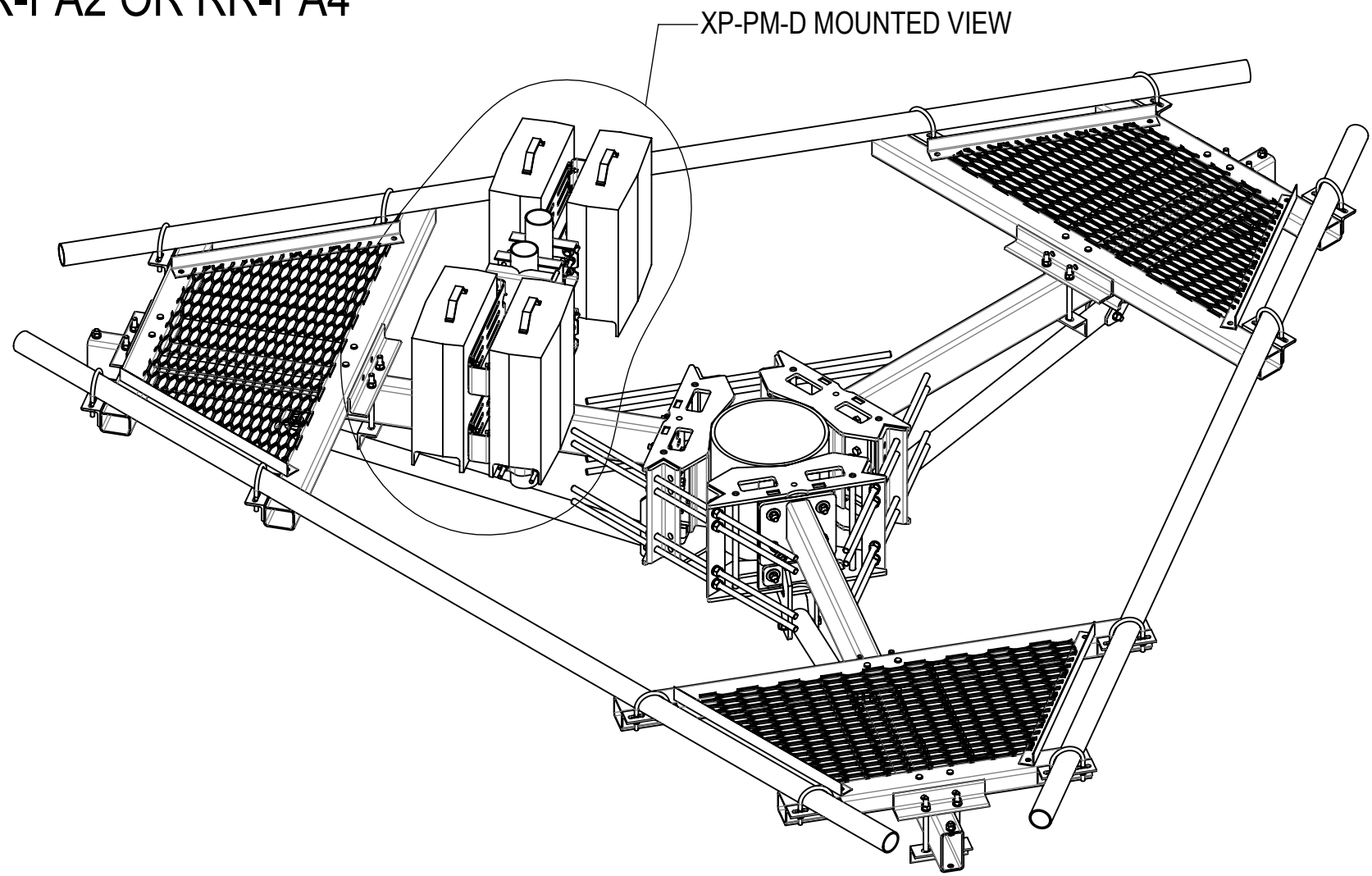
1

OPTIONAL ACCESSORIES

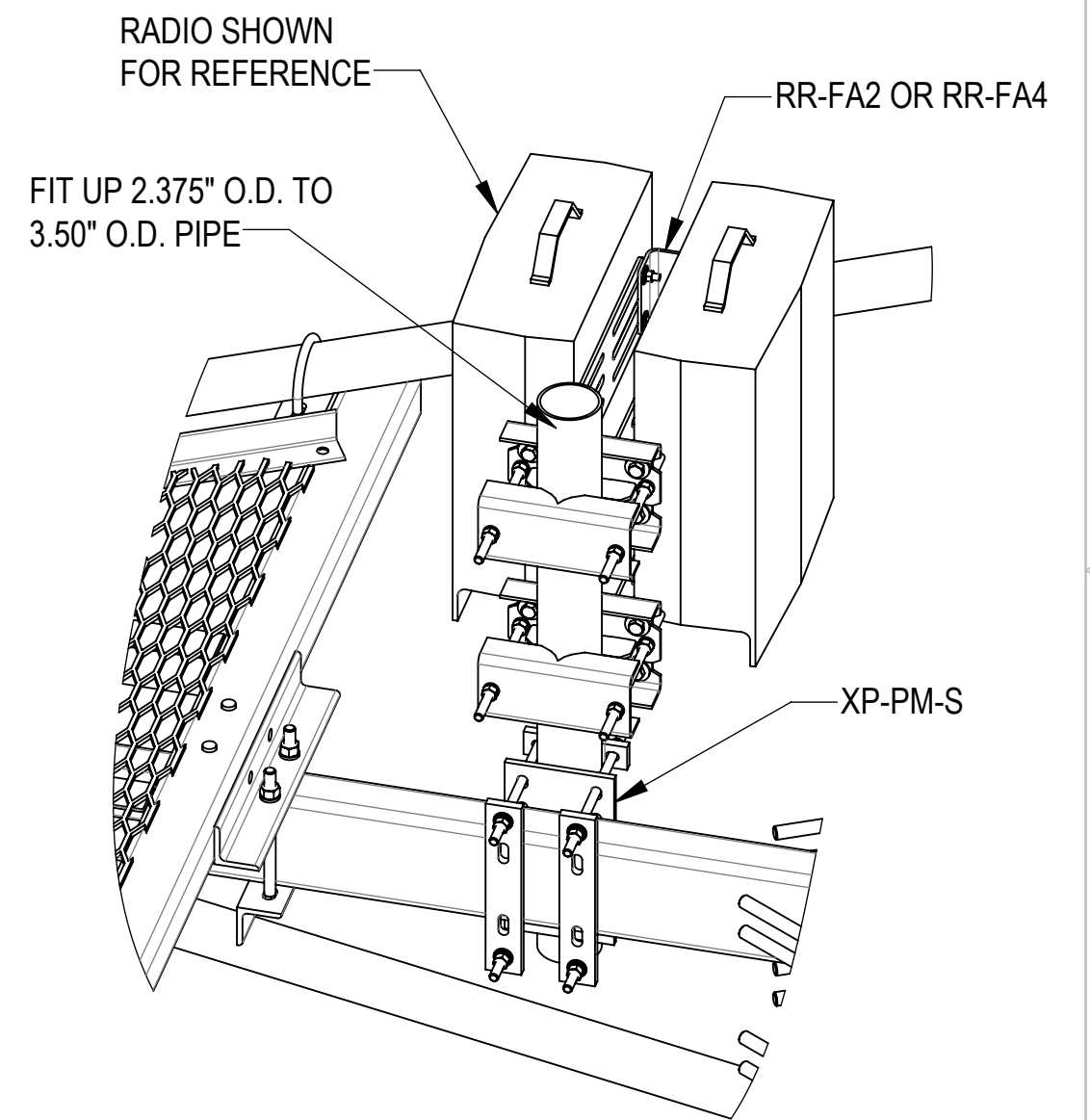
(ALL THE ACCESSORY ITEMS TO BE PURCHASED SEPARATELY)

MP RRU SUPPORT KIT:

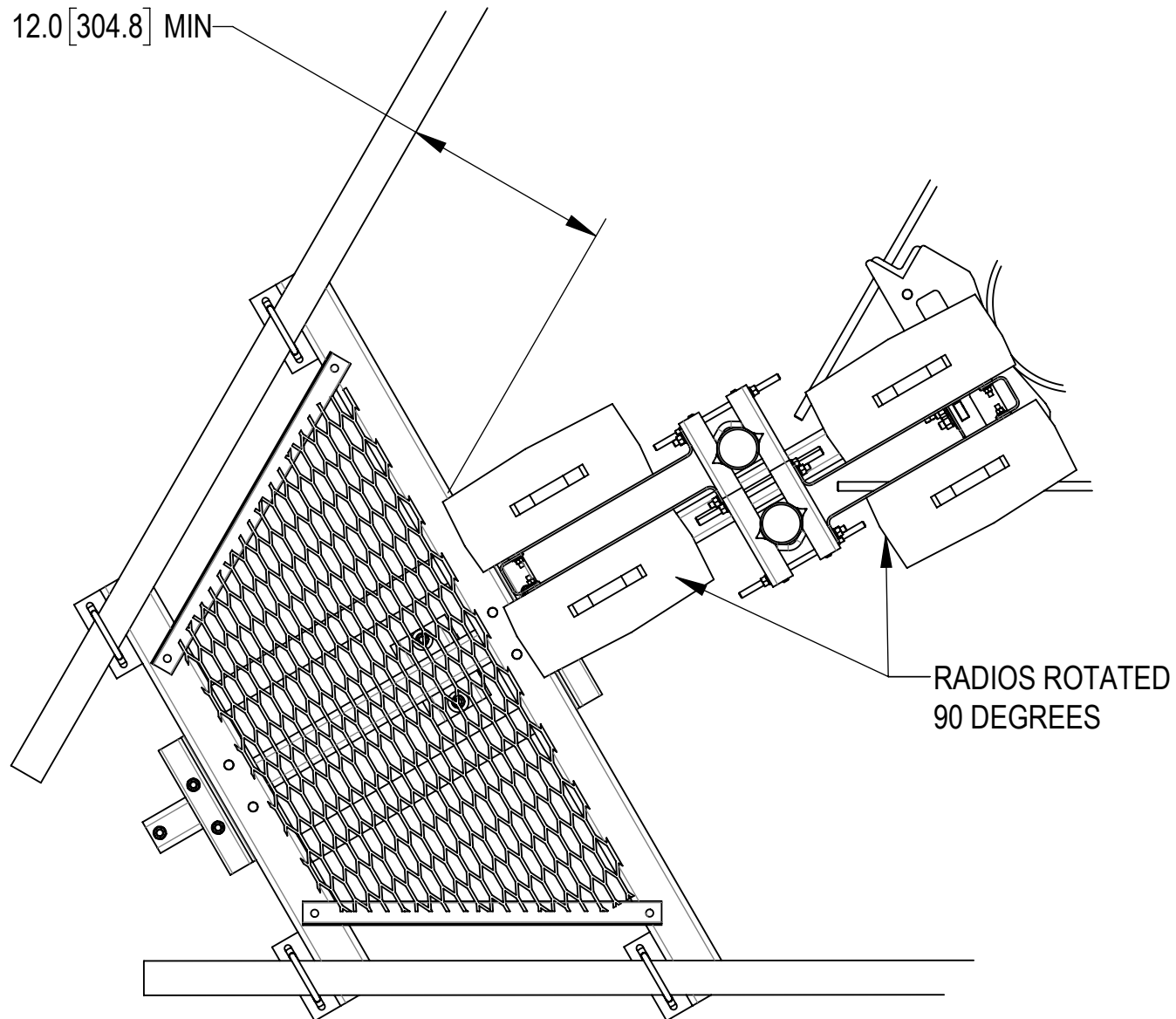
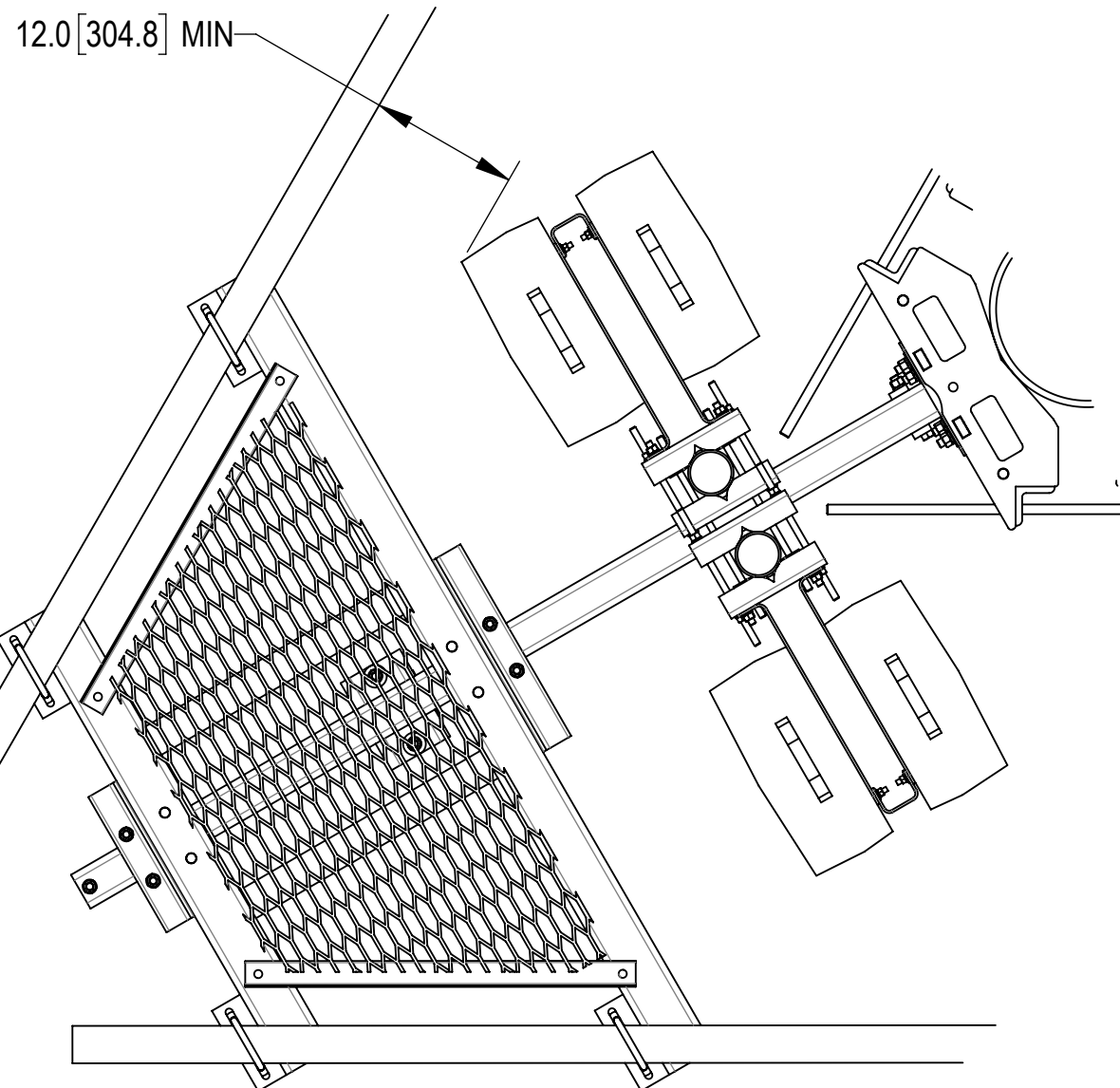
- XP-PM-D
- XP-PM-S
- RR-FA2 OR RR-FA4



(HIDE ONE SIDE OF THE RRU FOR CLARITY)
 DETAIL XP-PM-D MOUNTED VIEW
 SCALE 1 : 10



DETAIL XP-PM-S MOUNTED VIEW
 SCALE 1 : 10



RADIOS ROTATED
 90 DEGREES

COMMSCOPE, INC. OF NORTH CAROLINA				
TITLE MP,13',3S,BASE-KIT,W/HR,15-45"-POLE				
SIZE C	SCALE 1:20	DOCUMENT NO. MP-PP13M-B		
		DRAWING		SHEET
		VERSION	STATUS	REVISION
		00	RE	C
				10 OF 10