

4

3

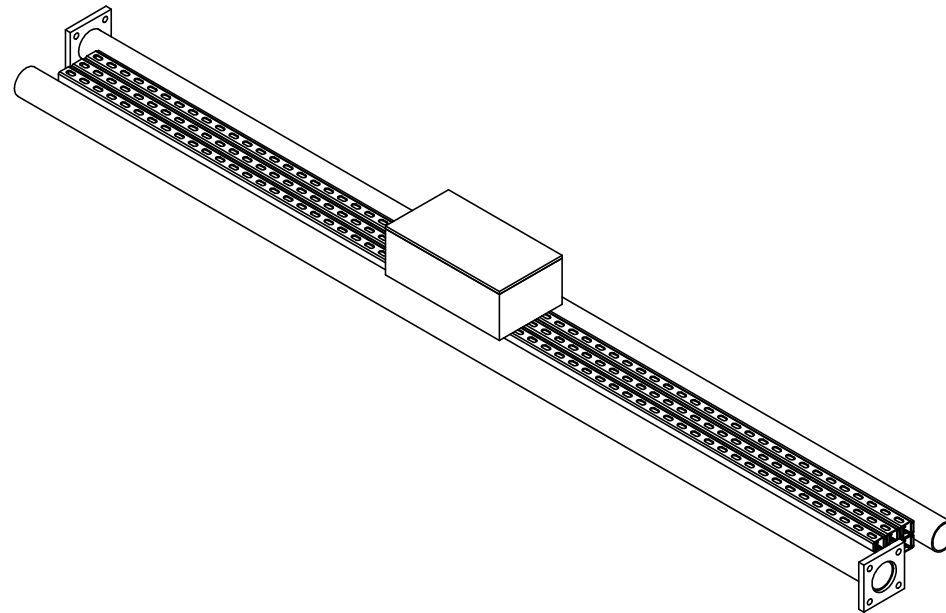
2

1

NOTES:

- 1.0 BAND PARTS TOGETHER AS NEEDED FOR SHIPPING.
- 2.0 CUSTOMER ASSEMBLY SHEET 2.

REVISIONS				
REV.	ECN	DESCRIPTION	BY	DATE
A	8000008278	INITIAL RELEASE	MSM	05/20/15



SHIPPING BOM

ITEM	PART NO.	DESCRIPTION	QTY.	WEIGHT	NOTE NO.
1	MTC355101	BASE SHOE	2	66.57 LBS	
2	MT-504	SQUARE SUPPORT RAIL, 12 GA, SLOTTED, 120"	12	20.35 LBS	
3	MTC3742HK	HARDWARE KIT FOR MTC3742	1	20.09 LBS	

DENSITY		lbs/in ³
MASS	397.38	lbs
VOLUME		in ³
SURFACE AREA		in ²
HEIGHT		
LENGTH		
WIDTH		

COMMSCOPE, INC. OF NORTH CAROLINA										
TOLERANCES					SAP MATERIAL MASTER					
0 PLACE X ± .25		2 PLACE XX ± .06			MTC3742					
1 PLACE .X ± .12		ANGLES ± 2°								
FINISH					MATERIAL					
GALV A123					N/A					
NAME			DATE		TITLE					
CE	MSM		04/28/15		10' X 12 RUNG H-FRAME					
RW										
RV										
AD										
RE	TP		04/28/15		SCALE	DOCUMENT NO.				
ECN	8000008278				1:10	MTC3742				
SIZE		WORK AREA		MODEL		DRAWING				SHEET
C				VERSION		REVISION		REVISION		
								A		1 OF 2

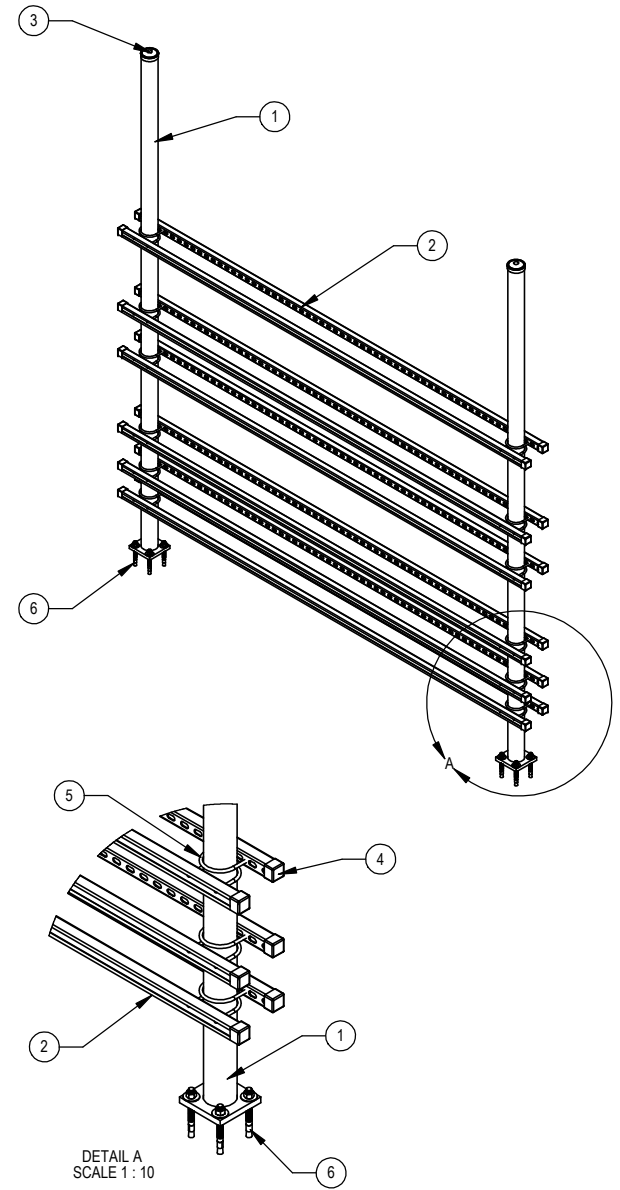
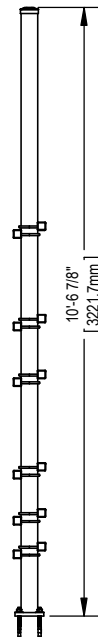
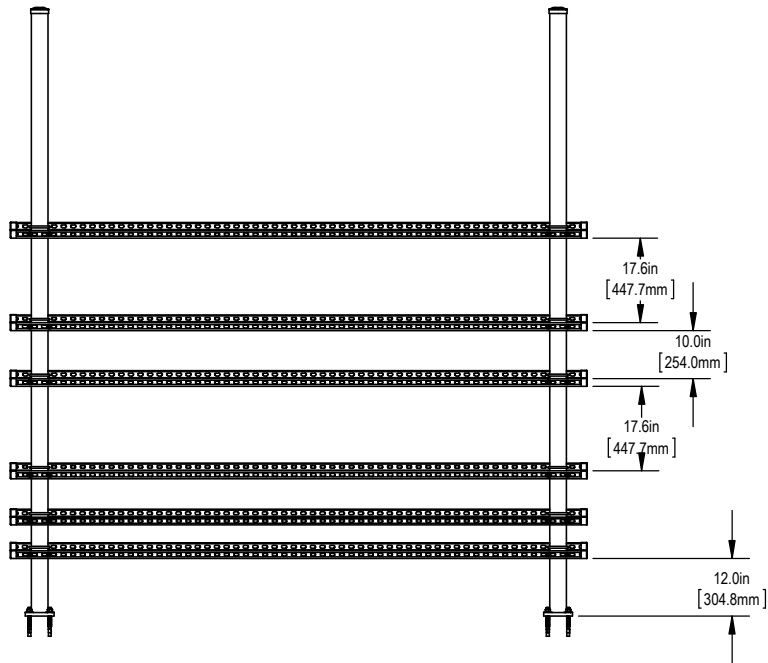
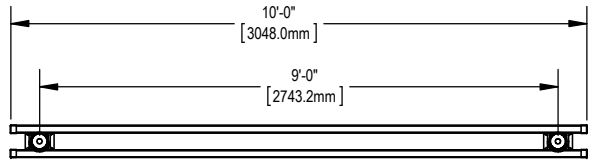
4

3

2

1

NOTES:



DETAIL A
SCALE 1:10

ITEM	PART NO.	DESCRIPTION	QTY.	WEIGHT	NOTE NO.
1	MTC355101	BASE SHOE	2	66.57 LBS	
2	MT-504	SQUARE SUPPORT RAIL, 12 GA, SLOTTED, 120"	12	20.35 LBS	
3	PC-034	Ø 3½" PIPE CAP	2	0.54 LBS	
4	PTCR01	END CAP	24	0.04 LBS	
5	GUB-3365	3/8" X 3-5/8" X 4-1/2" GALV U-BOLT	24	0.36 LBS	
6	MT-280	5/8" ANCHOR BOLT	8	0.61 LBS	

COMMSCOPE, INC. OF NORTH CAROLINA				
TITLE				
10' X 12' RUNG H-FRAME				
SIZE	SCALE	DOCUMENT NO.		
C	1:20	MTC3742		
		DRAWING		SHEET
		VERSION	STATUS	
				A
© 2015 CommScope, Inc. Confidential				

D

C

B

A

4

3

2

1