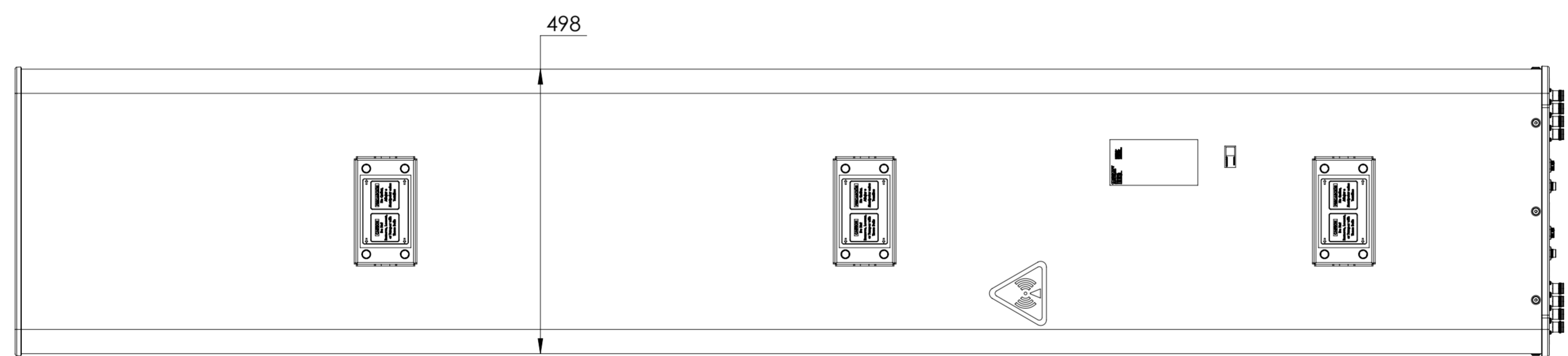
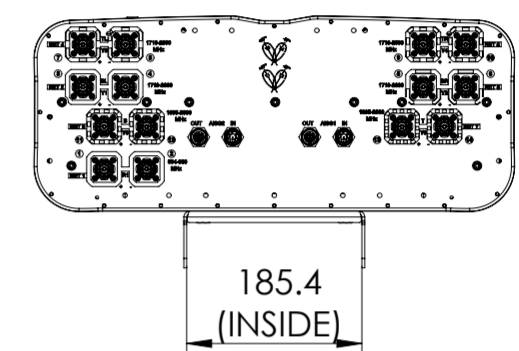
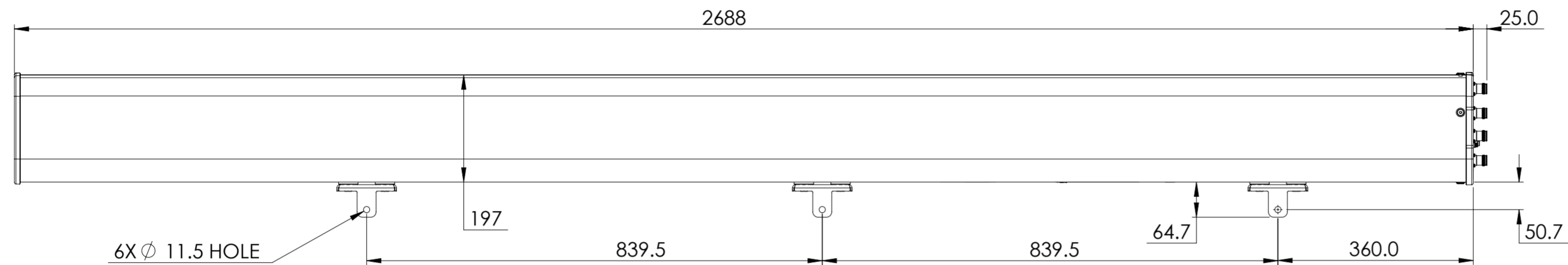


| REVISIONS | | | |
|-----------|---------------------------------------------------|-------------|----------|
| REV. | DESCRIPTION | DATE | APPROVED |
| A | ECR 8000041915: REL TO PRODUCTION PER EAO 608449. | 15SEP20 PN | MB/UG |
| B | ECR 40185987CMO: MODEL AND DRAWING VIEWS UPDATED. | 12JAN24 RGN | MSO/UK |



B RVV2VV-6533D-R7

COMMSCOPE, INC. OF NORTH CAROLINA

| | | | |
|-------------------------------------------------------------------------------------------------------------------------------------------------------------------------|---------------|---------------------|-------------------------|
| TOLERANCES | | SAP MATERIAL MASTER | |
| 0 PLACE X ± | 2 PLACE .XX ± | | |
| 1 PLACE .X ± | ANGLES ± | | |
| FINISH | | MATERIAL | |
| <small>UNLESS OTHERWISE SPECIFIED DIMENSIONS ARE IN MILLIMETERS INTERPRET PER ISO STANDARDS HANDBOOK TECHNICAL DRAWINGS VOLUMES 1 & 2, THIRD EDITION (2002)</small> | | NAME | DATE |
| | | CE NPHATAK | 15SEP2020 |
| | | RW RNAIK4 | 01/12/2024 |
| | | AD MSOGALAD | 01/12/2024 |
| | | RE RK1070 | 01/15/2024 |
| ECN 40185987CMO | | SCALE | DOCUMENT NO. |
| | | 1:8 | RVV2VV-6533D-R7-L |
| SIZE | WORK AREA | BSA | MODEL |
| A2 | | | VERSION STATUS REVISION |
| | | | 01 RE B |
| | | | VERSION STATUS REVISION |
| | | | 01 RE B |
| | | | SHEET |
| | | | 1 OF 1 |

| | |
|--------------|-------------------|
| DENSITY | g/mm ³ |
| MASS | Kg |
| VOLUME | mm ³ |
| SURFACE AREA | mm ² |
| HEIGHT | |
| LENGTH | |
| WIDTH | |