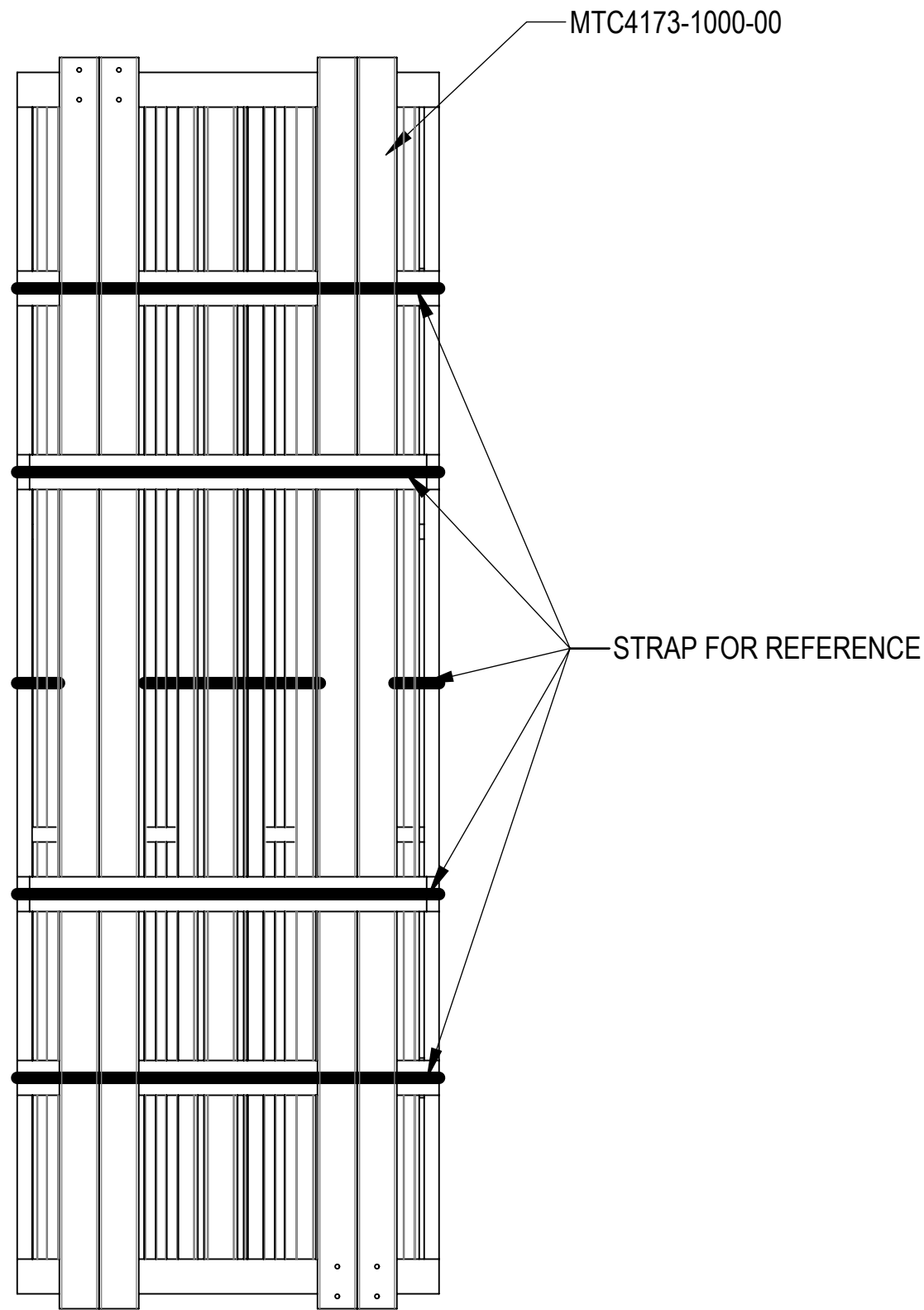
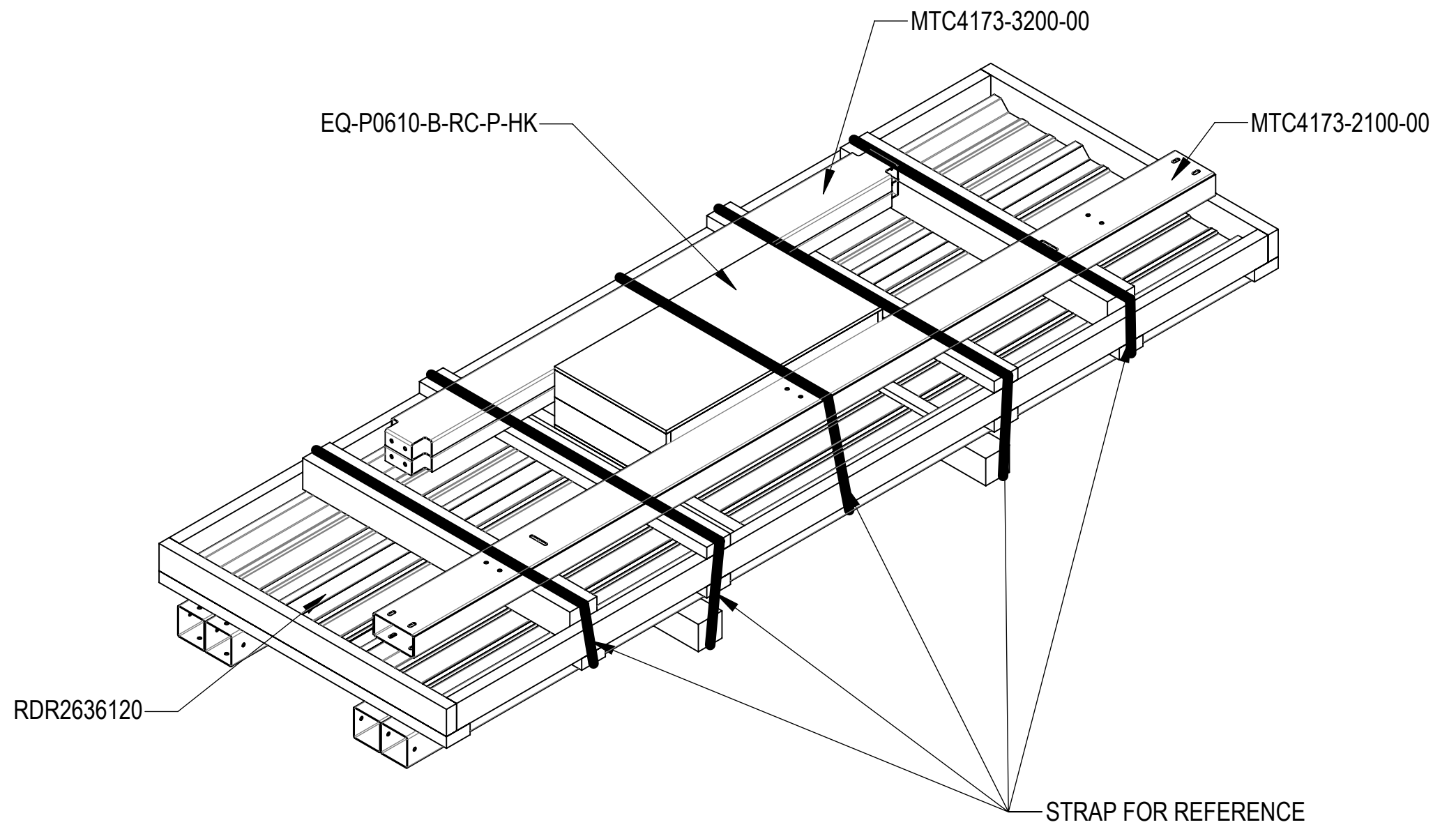


- 1.0 GENERAL NOTES
  - 1.1 ALL METRIC DIMENSIONS ARE IN BRACKETS [X.X]
  - 1.2 FOR PATENT INFO: <https://www.cs-pat.com>
- 2.0 DESIGN NOTES
  - 2.1 ANY HAZARDS OR OBSTRUCTIONS TO THE CLIMBING FACILITY AND SAFETY CLIMB MUST BE IDENTIFIED PRIOR TO INSTALLING THE APPURTENANCE. ADDITIONAL PRODUCTS MAY BE REQUIRED TO MAINTAIN THE INTEGRITY OF THE SAFETY CLIMB. DURING INSTALLATION, TEMPORARY AND/OR PERMANENT PRECAUTIONARY MEASURES SHOULD BE TAKEN TO PRESERVE THE CLIMBING FACILITY AND/OR SAFETY CLIMB.
- 3.0 MANUFACTURING/SPECIAL REQUIREMENTS
  - 3.1 TIGHTEN ALL BOLTS SECURING FLAT PLATES BY THE TURN-OF-NUT METHOD. TIGHTEN ALL U-BOLTS USING TURN-OF-NUT METHOD WITH ATTENTION TO LEAVE EQUAL DISTANCE AND EQUAL FORCE ON EACH LEG OF THE U-BOLT.
- 4.0 TEST
- 5.0 PACKAGING
  - 5.1 PACKAGING SHALL MEET COMMSCOPE REQUIREMENTS PER DOCUMENT IS-PL-3005
  - 5.2 PRINTED DOCUMENT TO BE PLACED INSIDE POLYBAG AND THEN IN SHIPPING CONTAINER
  - 5.3 EXTRA HARDWARE MAY BE SUPPLIED, BAGGED AND SHIPPED

REVISIONS			
REV.	DESCRIPTION	DATE	APPROVED
A	INITIAL RELEASE	RY1002 27MAR24	YW1047 40191985CMO



BOTTOM VIEW



PACKAGE

DENSITY		lbs/in <sup>3</sup>
MASS	603.67	lbs
VOLUME	2135.75	in <sup>3</sup>
SURFACE AREA	50426.04	in <sup>2</sup>
HEIGHT	139.8"	
LENGTH	120.0"	
WIDTH	77.6"	

<b>COMMSCOPE, INC. OF NORTH CAROLINA</b>									
TOLERANCES					SAP MATERIAL MASTER				
1 PLACE .X[X] ± 0.2[6.3]			3 PLACE .XXX[X] ± 0.060[1.5]			<b>EQ-P0610-B-RC-P</b>			
2 PLACE .XX[X] ± 0.12[3.0]			ANGLES ± 2°						
FINISH					MATERIAL				
UNLESS OTHERWISE SPECIFIED DIMENSIONS ARE IN INCHES INTERPRET PER ANSI Y 14.5M-1994	NAME	DATE	TITLE						
	CE RY1002	27MAR24	<b>06'X10' RAIN CANOPY, ON EQ. PLATFORM</b>						
	RW RY1002	04/28/2024							
	AD YW1047	05/05/2024							
	RE YMENG	05/05/2024							
ECN 40191985CMO									
SCALE	DOCUMENT NO.								
<b>1:16</b>	<b>EQ-P0610-B-RC-P</b>								
SIZE	Auth Group	INSL	MODEL			DRAWING			
<b>C</b>			VERSION	STATUS	REVISION	VERSION	STATUS	REVISION	SHEET
			00	RE	A	00	RE	A	1 OF 4

4

3

2

1

D

D

C

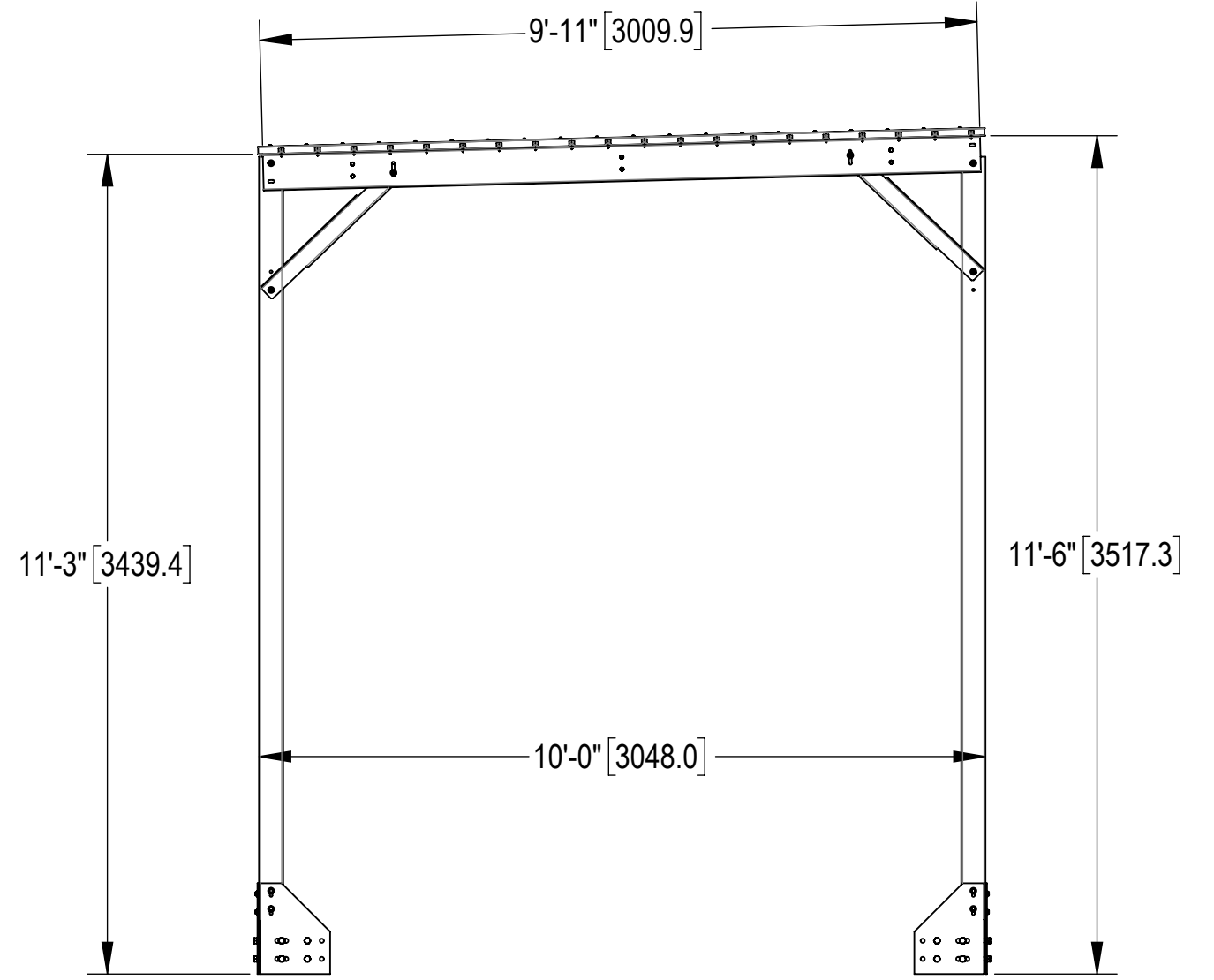
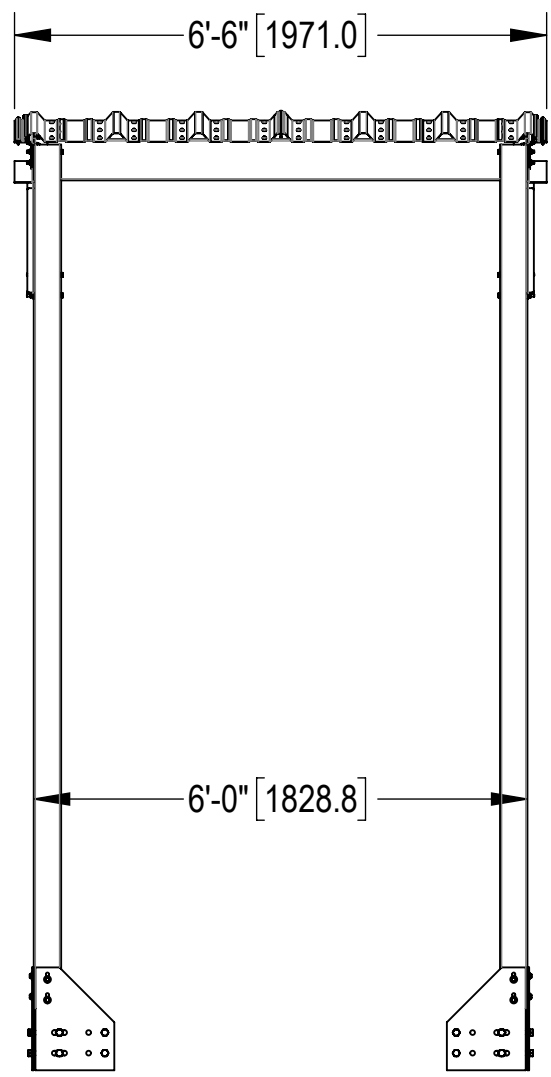
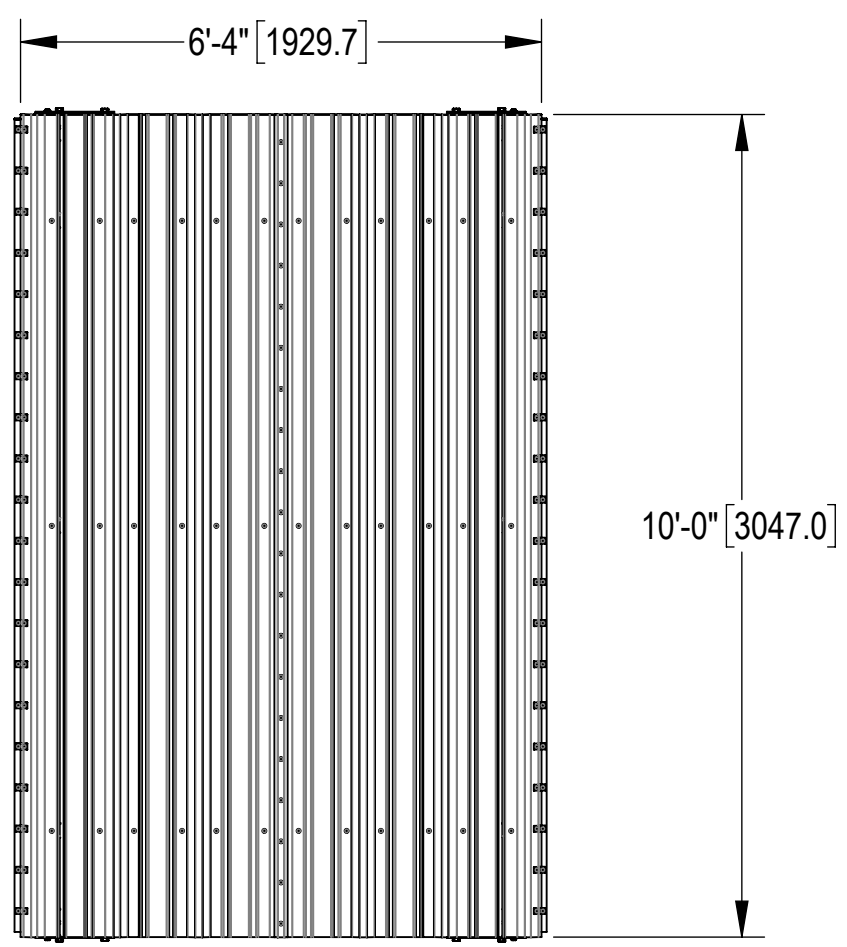
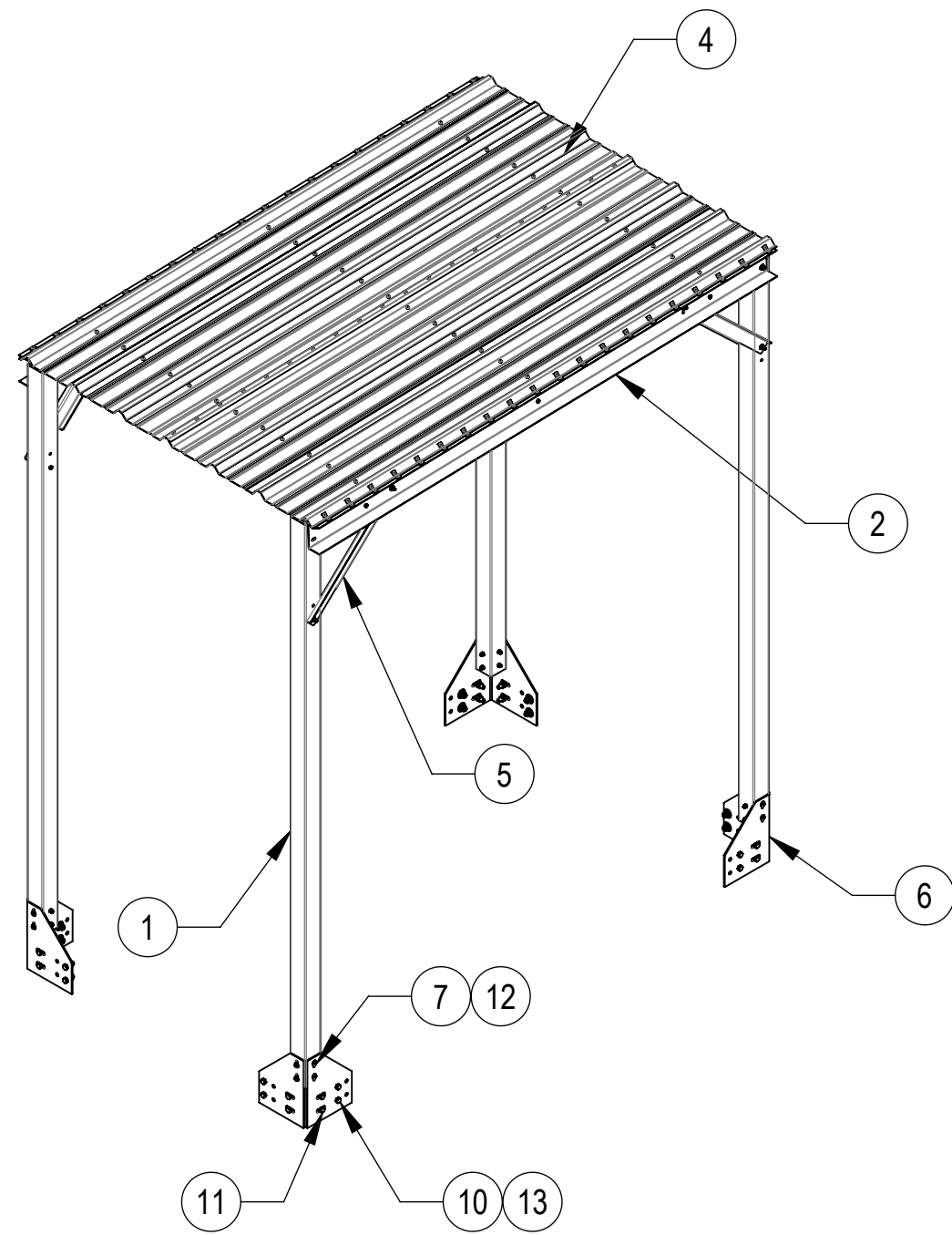
C

B

B

A

A



COMPONENT PART NUMBERS PROVIDED FOR ASSEMBLY PURPOSES;  
INDIVIDUAL COMPONENTS MAY BE SHIPPED AS PARTS WITHIN AN INCLUDED KIT.

ITEM	PART NO.	DESCRIPTION	QTY.	WEIGHT	NOTE NO.
1	MTC4173-1000-00	POST, 4X4 SQUARE TUBE, 126"	4	64.74 LBS	
2	MTC4173-2100-00	OUTER CHANNEL, ROOF SUPPORT	2	44.60 LBS	
3	MTC4173-3200-00	CANOPY CENTER CHANNEL	3	23.19 LBS	
4	RDR2636120	ROOF DECKING PBR 26 GA 36" X 120"	2	29.65 LBS	
5	MTC4130-3000-00	CANOPY BRACE	4	6.52 LBS	
6	MTC4169-2000-00	PLATE, CANOPY LEG SUPPORT	8	9.59 LBS	
7	GB-03505	3/8" X 5" GALV BOLT KIT	24	0.17 LBS	
8	GB-03125	3/8" X 1-1/4" GALV BOLT KIT	4	0.06 LBS	
9	GB-03105	3/8" X 1" GALV BOLT KIT	12	0.05 LBS	
10	GB-05165	5/8" X 1-3/4" GALV BOLT KIT	16	0.24 LBS	
11	GB-05225	5/8" X 2-1/4" GALV BOLT KIT	16	0.28 LBS	
12	GWF-03	3/8" GALV FLAT WASHER	32	0.01 LBS	
13	GWF-05	5/8" GALV FLAT WASHER, 1.70D	16	0.06 LBS	
14	MTC3799C26	CLIP, RDR PANEL	40	0.05 LBS	
15	TS1275	TEK SCREW #12 X 3/4, WITH NEOPRENE WASHER	76	0.02 LBS	
16	MTC371531	1/4-14X7/8 SELF DRILLING HEX HEAD SCREW	60	0.02 LBS	

COMMSCOPE, INC. OF NORTH CAROLINA				
TITLE 06'X10' RAIN CANOPY, ON EQ. PLATFORM				
SIZE C	SCALE 1:32	DOCUMENT NO. EQ-P0610-B-RC-P		
		DRAWING		SHEET 2 OF 4
		VERSION 00	STATUS RE	

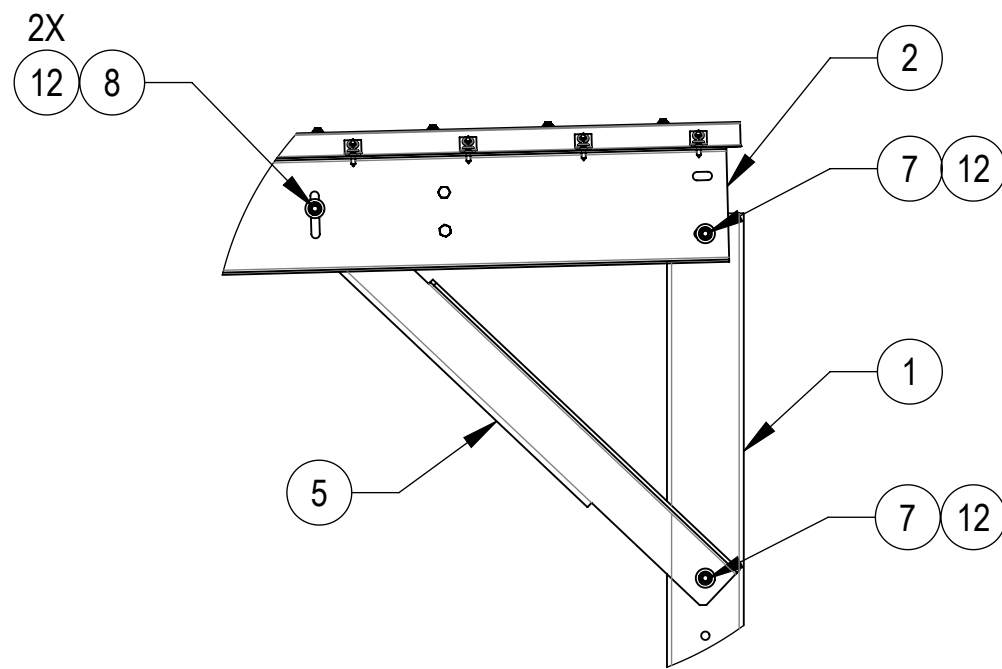
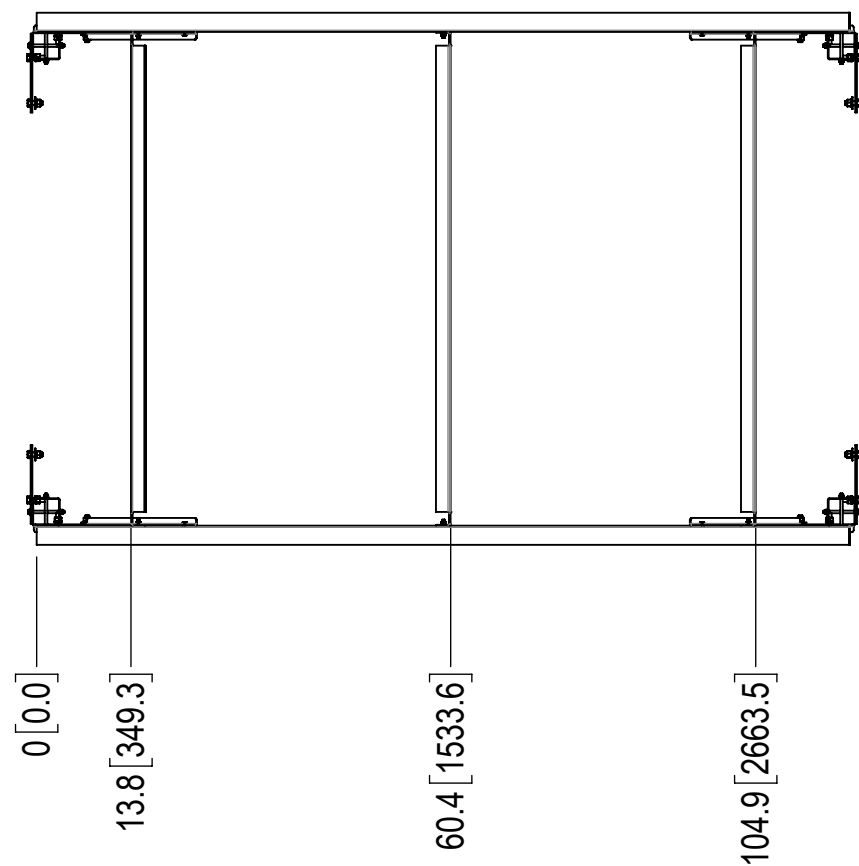
© 2024 CommScope, Inc. Confidential

4

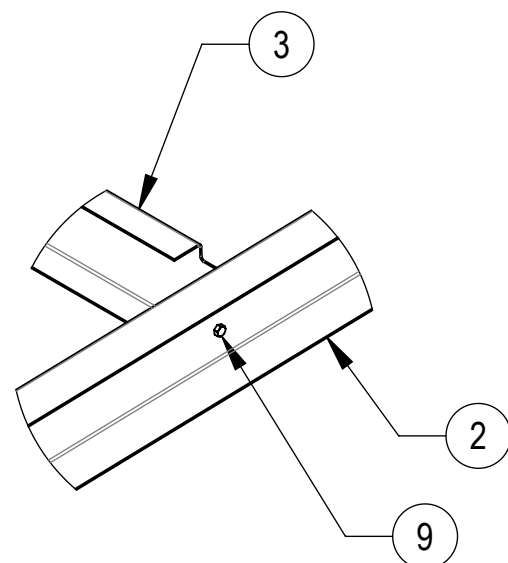
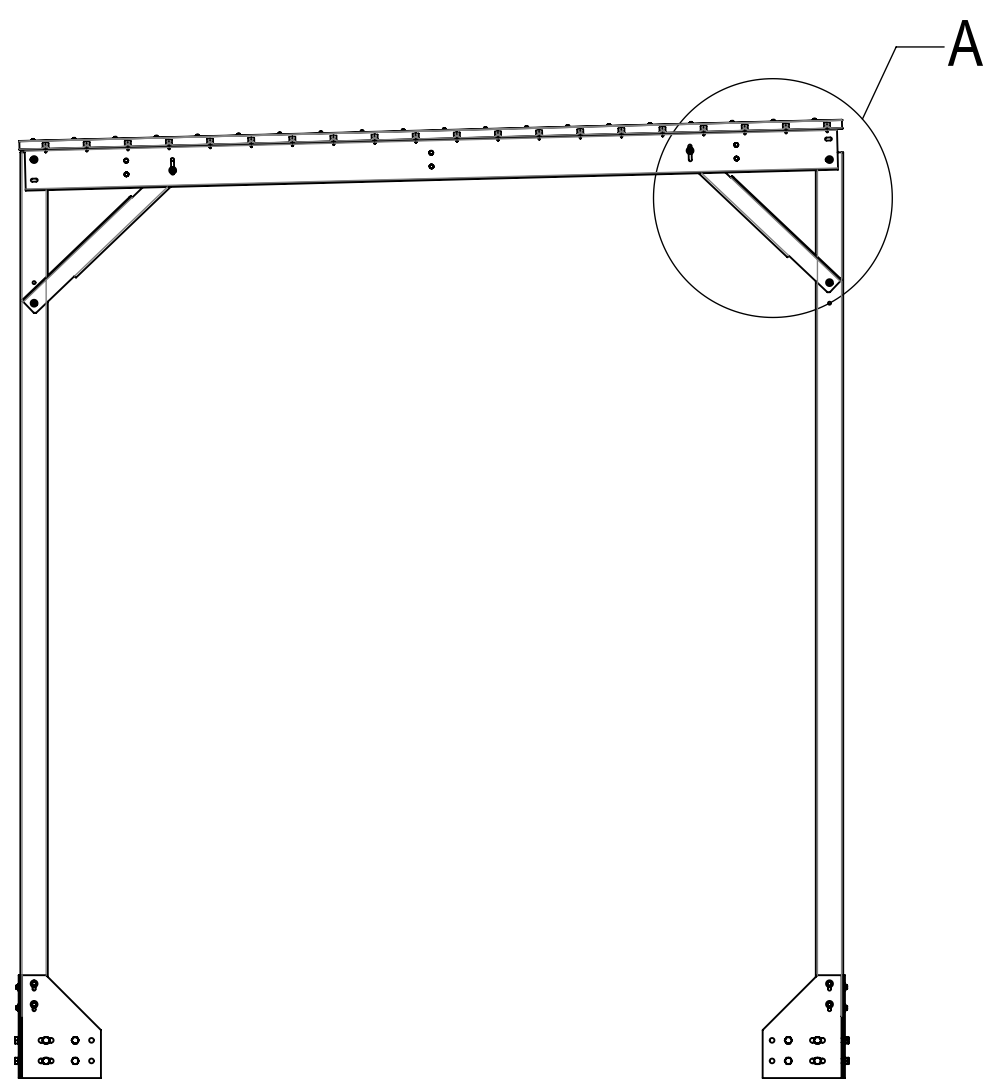
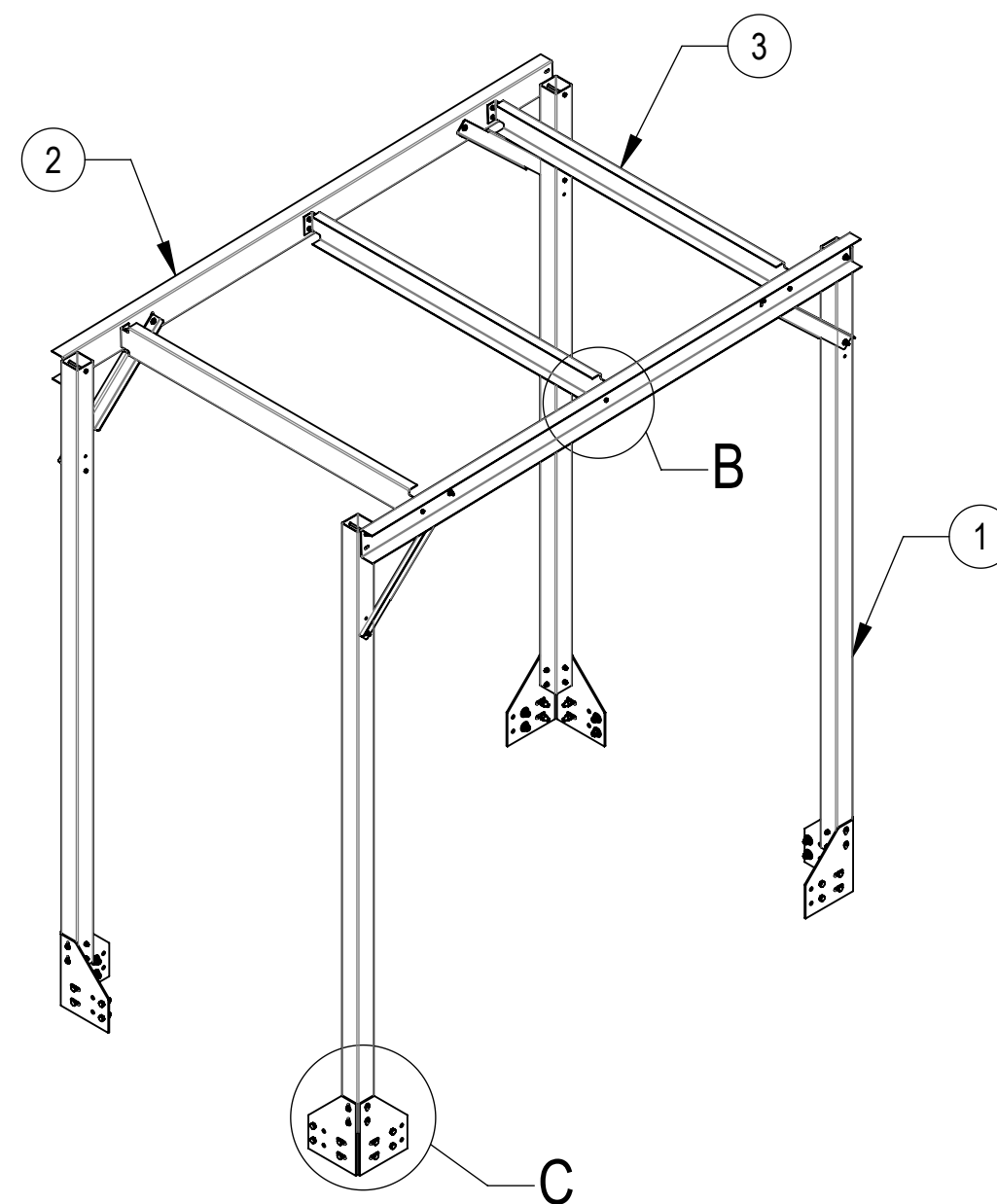
3

2

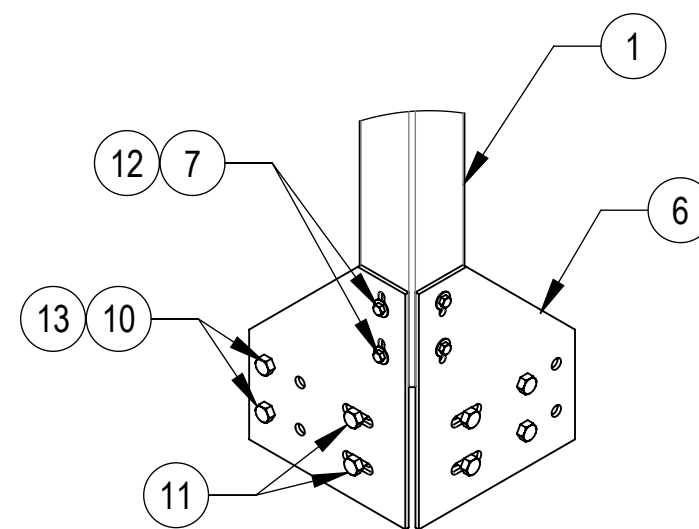
1



DETAIL A  
SCALE 1 : 10



DETAIL B  
SCALE 1 : 10



DETAIL C  
SCALE 1 : 10

HIDE ROOF DECKING FOR CLARITY

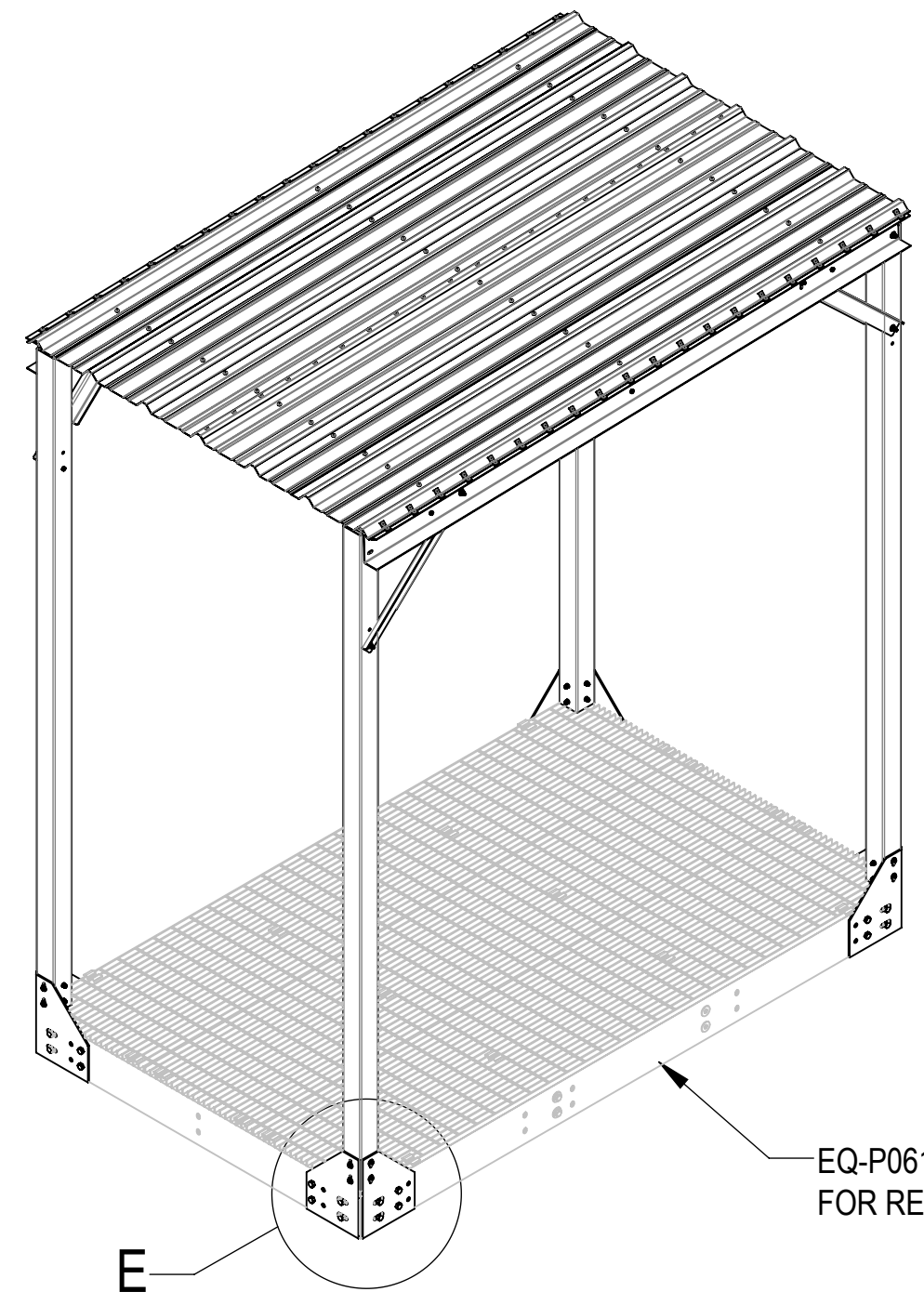
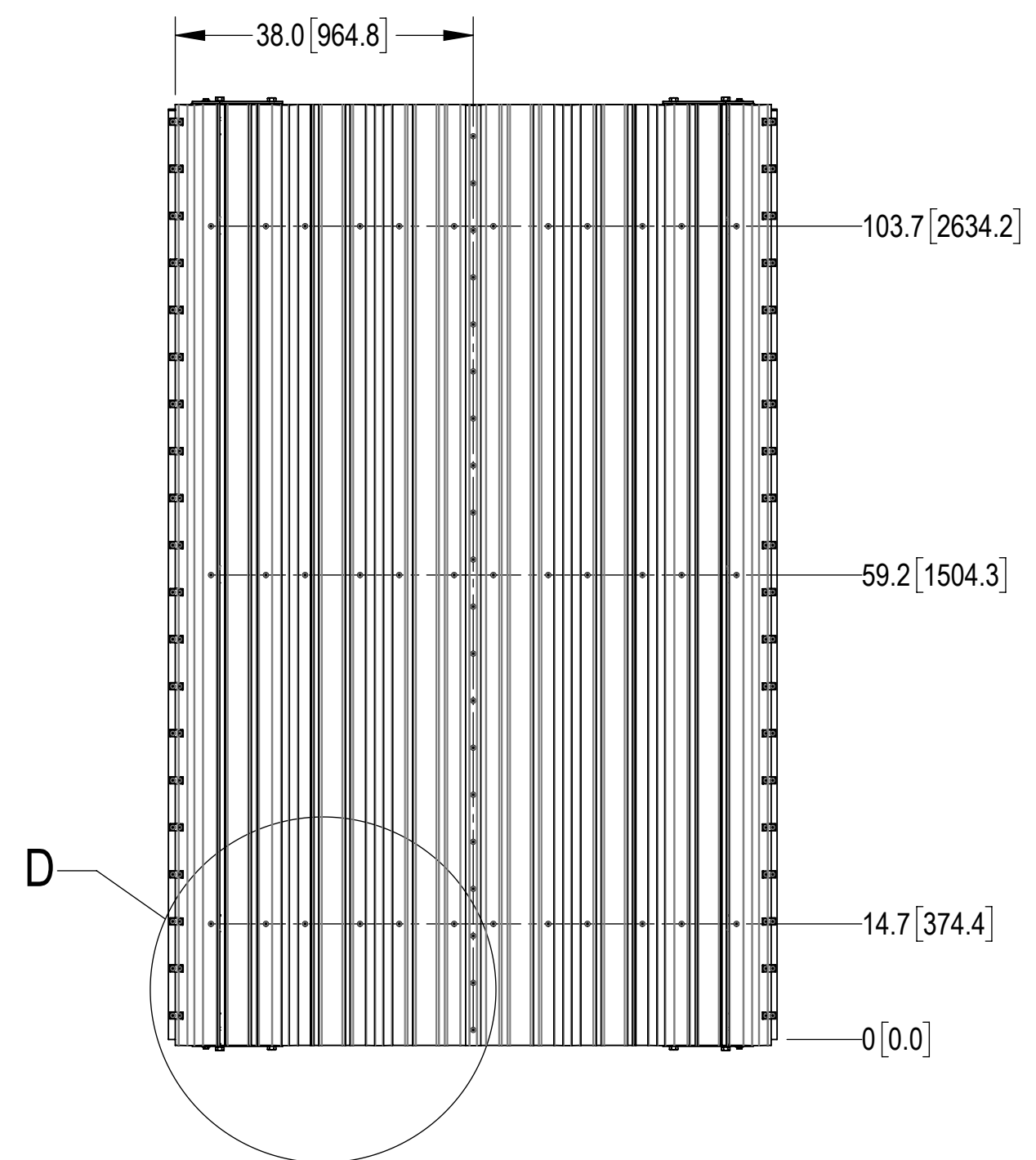
COMMSCOPE, INC. OF NORTH CAROLINA					
TITLE 06'X10' RAIN CANOPY, ON EQ. PLATFORM					
SIZE C	SCALE 1:32	DOCUMENT NO. EQ-P0610-B-RC-P			
		DRAWING			SHEET 3 OF 4
		VERSION 00	STATUS RE	REVISION A	

4

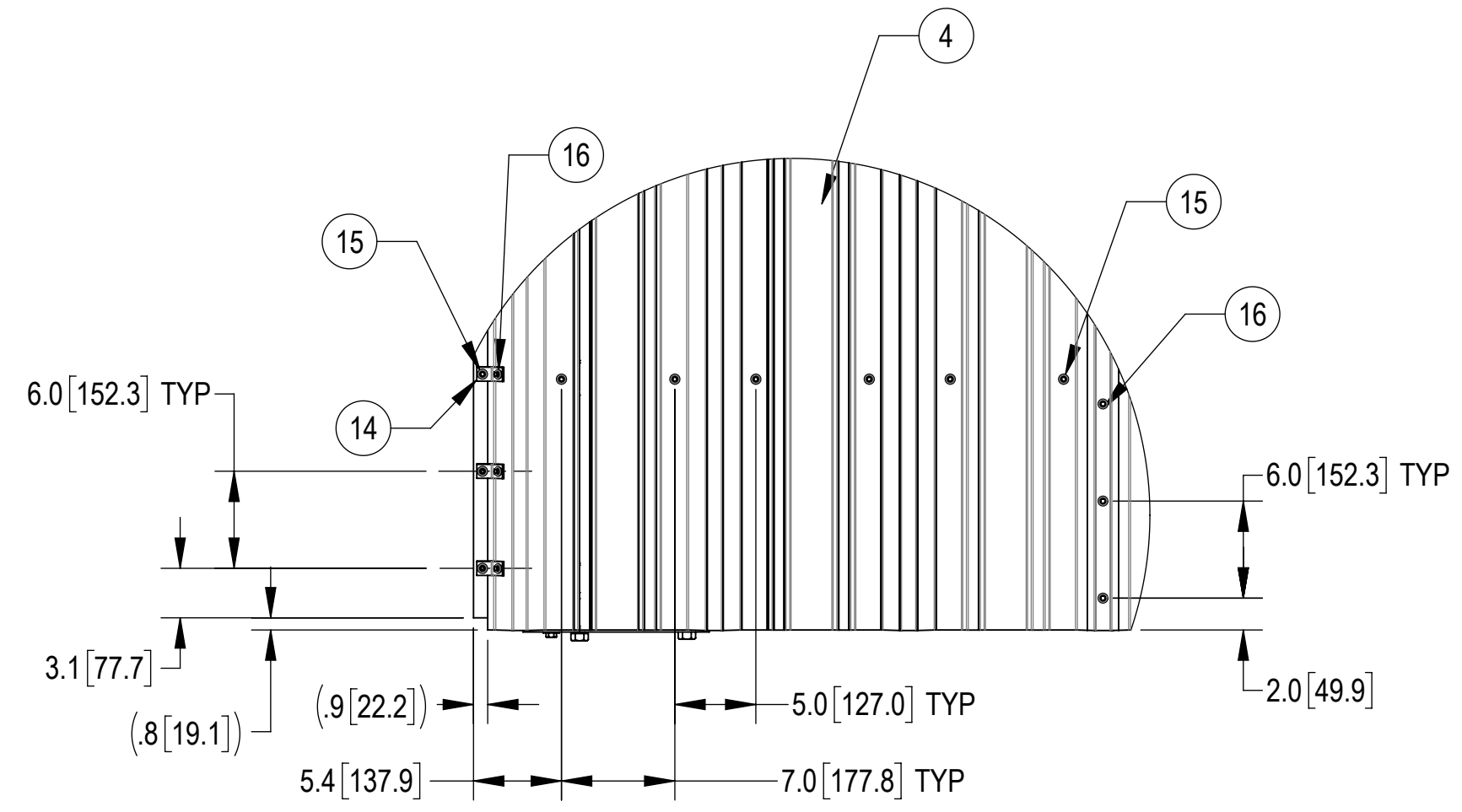
3

2

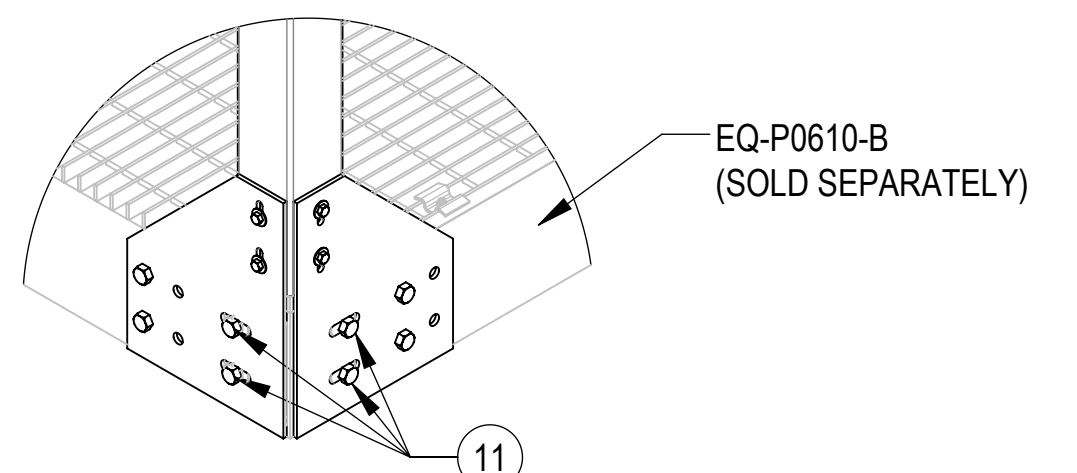
1



ATTACHED TO EQ-P0610-B VIEW



DETAIL D  
SCALE 1 : 10



DETAIL E  
SCALE 1 : 10  
(4 PLACES)

COMMSCOPE, INC. OF NORTH CAROLINA				
TITLE 06'X10' RAIN CANOPY, ON EQ. PLATFORM				
SIZE C	SCALE 1:32	DOCUMENT NO. EQ-P0610-B-RC-P		
		DRAWING		SHEET
		VERSION	STATUS	REVISION
		00	RE	A
				4 OF 4

4

3

2

1