

PCA-16-25MM2-2C



HELIAX® power adaptor, 2 Core DC Power Cable connection. Input Power Cable conductor size as 2.5mm²~25mm² and Output Power Cable conductor size as 2.5mm²~16mm². Shield contact size as 4~6mm². Glands at both ends providing a IP67 weatherproof performance

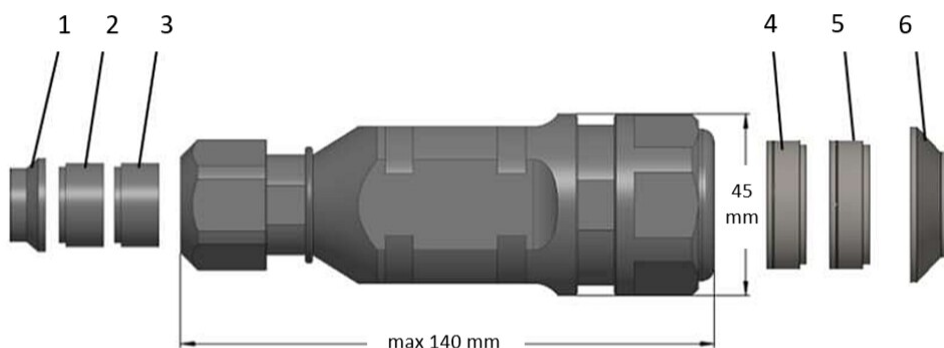
Product Classification

Regional Availability	Asia Australia/New Zealand EMEA Latin America North America
Product Type	Power adapter
Product Brand	HELIAX®
Product Series	PCA

Dimensions

Width	45 mm 1.772 in
Length	140 mm 5.512 in
Cable Outer Diameter	Input end: 9–14 mm and 14–18 mm Output end: 6–9 mm and 9–14 mm
Power Contact Size	I/P: 2.5–25 mm ² (copper) O/P: 2.5–16 mm ² (copper)
Shield Contact Size	4–6 mm ²

Dimension Drawing



1 = hold-down ring for cable OD under 10mm
2 = sealing rubber for cable OD range 6 to 9mm
3 = sealing rubber for cable OD range 9 to 14mm

4 = sealing rubber for cable OD range 12 to 18mm
5 = sealing rubber for cable OD range 9 to 14mm
6 = hold-down ring for cable OD under 14mm

Electrical Specifications

PCA-16-25MM2-2C

Current Rating, maximum	70 A
Insulation Resistance, minimum	1000 MOhm
Voltage Rating	48 Vdc
Withstand Voltage	300 Vdc @ 60 sec

Material Specifications

Contact Base Material	Copper alloy
Contact Plating Material	Min 4µm Sn on 0.76µm Ni
Housing Material	PA66 PC/ABS

Mechanical Specifications

Tensile Force	50 N 11.24 lbf
Connecting Operations, maximum	5
Locking Force	2.5 Nm for all cable glands

Environmental Specifications

Operating Temperature	-40 °C to +85 °C (-40 °F to +185 °F)
Storage Temperature	-40 °C to +70 °C (-40 °F to +158 °F)
Flammability Rating	UL 94 V-0
Ingress Protection Test Method	IP67

Regulatory Compliance/Certifications

Agency	Classification
ROHS	Compliant