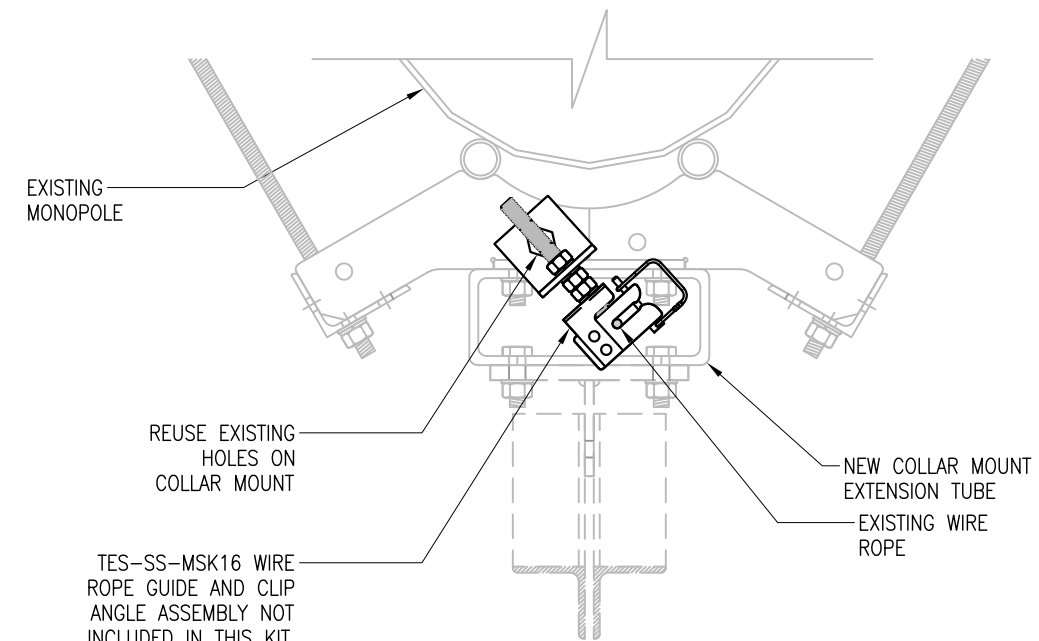
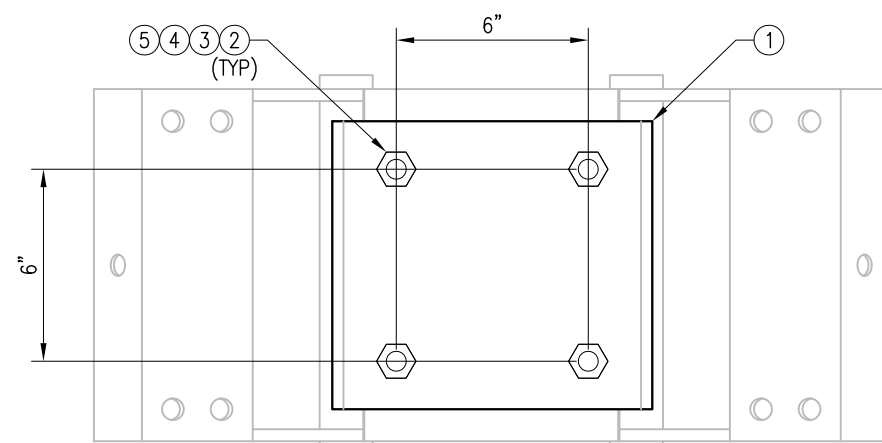


PLAN VIEW
COLLAR MOUNT EXTENSION TUBE



SAFETY CLIMB WIRE
ROPE ROUTING DETAIL



FRONT VIEW

NOTES:
1. FIT ON MONOPOLE COLLAR MOUNT WITH 6" X 6" HOLE SPACING.
2. HOT-DIPPED GALVANIZED PER ASTM A123.

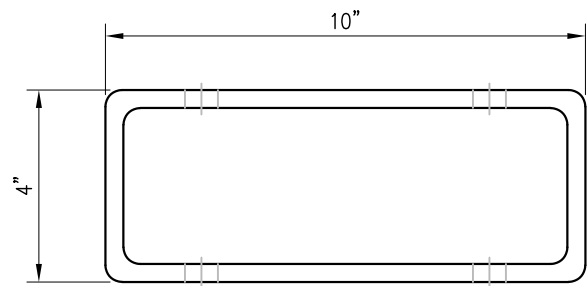
TES-SS-PLK11 (COLLAR MOUNT EXTENSION TUBE)					
ITEM NO.	QTY.	PART NO.	DESCRIPTION	SHEET #	WT
1	1	TB-10X4	10" X 4" X 3/8" X 9" LONG HSS TUBE A500 GR B (46 KSI)	PLK11-F1	24
2	4	---	BOLT 5/8" X 2" A325	---	2
3	4	FW-625	5/8" HDG USS FLAT WASHER	---	0
4	4	LW-625	5/8" HDG LOCK WASHER	---	0
5	4	NUT-625	5/8" HDG HEX NUT	---	0
GALVANIZED WT					27

DRAWN BY: SP CHECKED BY: KW/SK

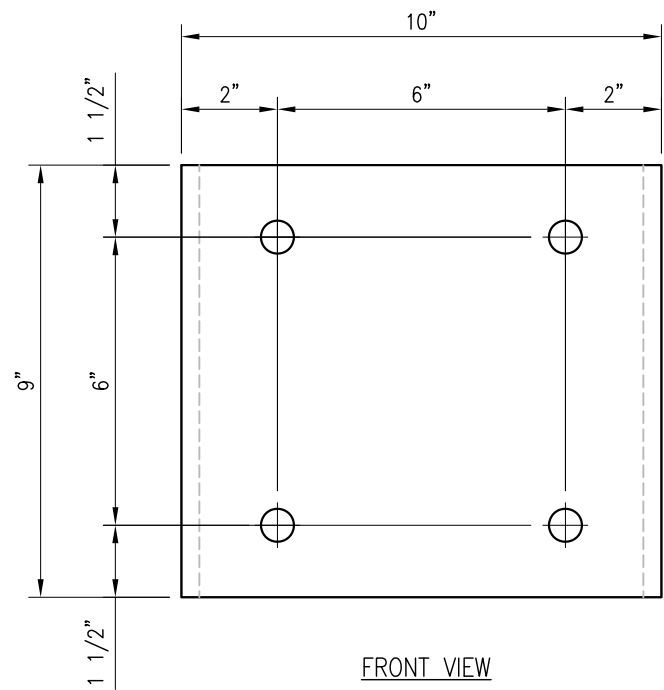
REV.	DESCRIPTION	BY	DATE
1	FIRST ISSUE	SP	07/18/23

SHEET TITLE:
TES-SS-PLK11
COLLAR MOUNT
EXTENSION TUBE

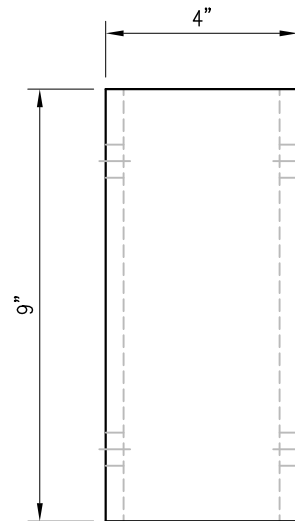
SHEET NUMBER: TES-SS-PLK11 REV #: 0



TOP VIEW



FRONT VIEW



SIDE VIEW

IB-10X4
HSS TUBE 10" X 4" X 3/8" X 9" LONG A500 GR B (46 KSI)
24.38 LBS

- NOTES:
1. HOT-DIPPED GALVANIZED PER ASTM A123.
2. ALL HOLES ARE 11/16" DIA U.N.O

DRAWN BY: SP CHECKED BY: KW/SK

REV.	DESCRIPTION	BY	DATE
1	FIRST ISSUE	SP	07/18/23

SHEET TITLE:

FABRICATION DETAILS

SHEET NUMBER: PLK11-F1 REV #: 0