

4

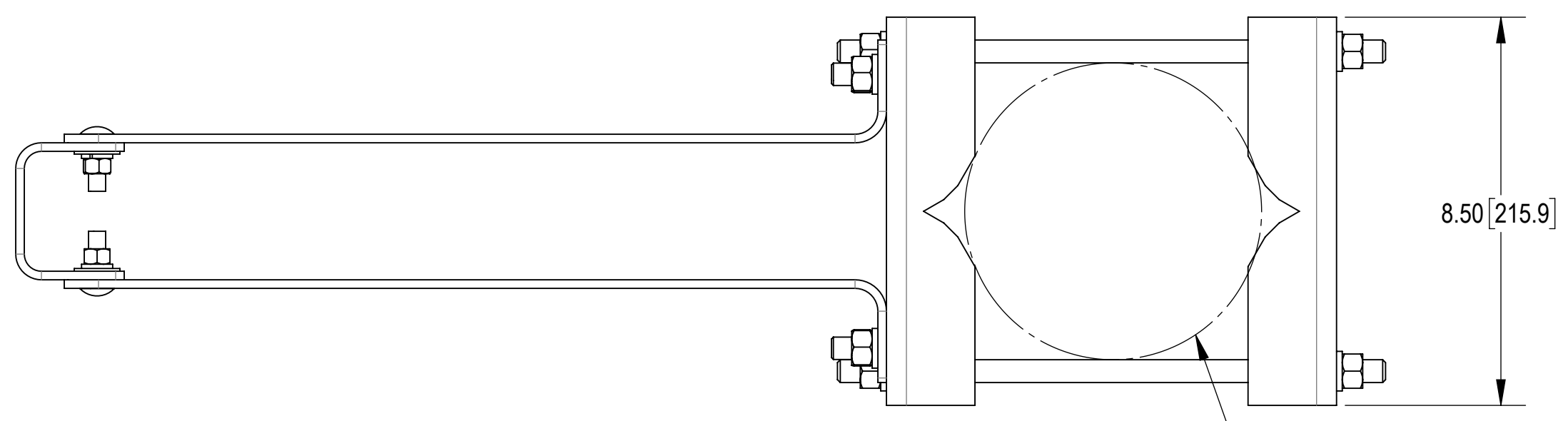
3

2

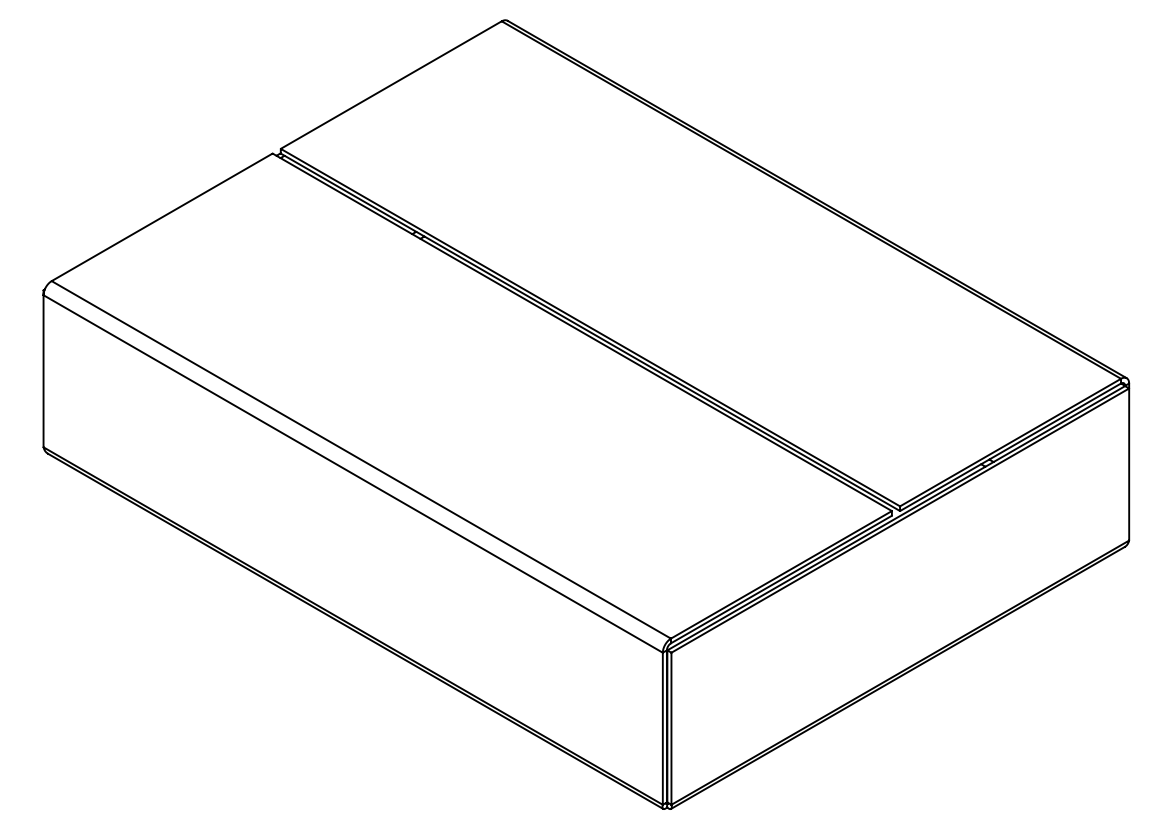
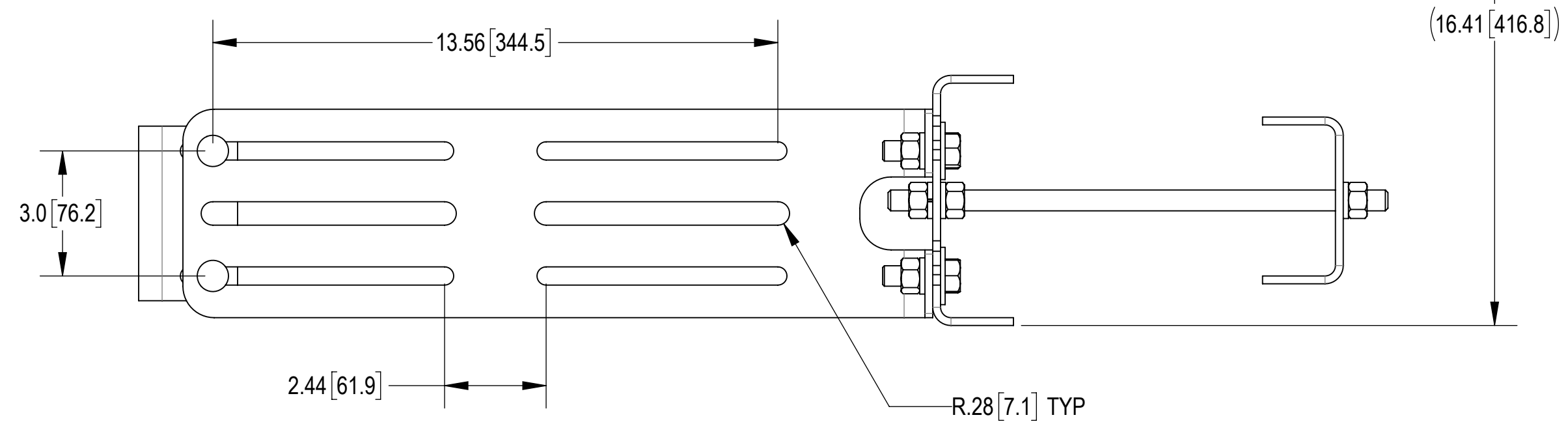
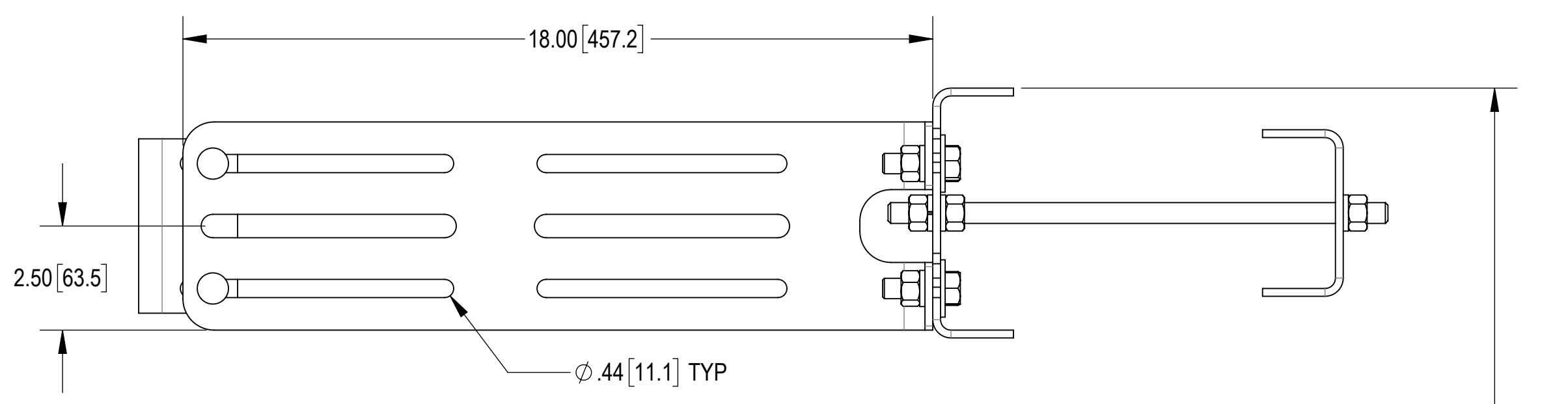
1

- 1.0 GENERAL NOTES
 - 1.1 ALL METRIC DIMENSIONS ARE IN BRACKETS [X.X]
 - 1.2 FOR PATENT INFO: <https://www.cs-pat.com>
- 2.0 DESIGN NOTES
- 3.0 MANUFACTURING/SPECIAL REQUIREMENTS
 - 3.1 TIGHTEN ALL BOLTS SECURING FLAT PLATES BY THE TURN-OF-NUT METHOD. TIGHTEN ALL U-BOLTS USING TURN-OF-NUT METHOD WITH ATTENTION TO LEAVE EQUAL DISTANCE AND EQUAL FORCE ON EACH LEG OF THE U-BOLT.
- 4.0 TEST
- 5.0 PACKAGING
 - 5.1 PACKAGING SHALL MEET COMMSCOPE REQUIREMENTS PER DOCUMENT IS-PL-3005
 - 5.2 PRINTED DOCUMENT TO BE PLACED INSIDE POLYBAG AND THEN IN SHIPPING CONTAINER
 - 5.3 EXTRA HARDWARE MAY BE SUPPLIED, BAGGED AND SHIPPED

REVISIONS			
REV	DESCRIPTION	DATE	APPROVED
A	INITIAL RELEASE	DRR 07JAN16	FA1024 8000011948
B	ADDED RRFA-0001-00, RRFA-0002-00 FOR STABILIZING; UPDATED DWG FORMAT	RJC 01JUL19	FA1024 8000036136
C	REMOVED RRFA-002-00 FROM ASSY	RJC 21NOV19	FA1024 8000037958
D	SHEET5 OF D4 NOTE CHANGED FROM RRFK-001L TO RRFAK-002L	LL1090 21JUL23	XK1001 40175037CMO
E	UPDATED NOTES ON SHEET 3	RY1002 24APR24	GA1119 40194189CMO



FOR POLES UP TO 5.6" IN DIAMETER
FOR 90 DEGREE ANGLES UP TO 4.5"
FOR 60 DEGREE ANGLES UP TO 6.0"



PACKAGE

DENSITY		lbs/in ³
MASS	39.19	lbs
VOLUME	139.08	in ³
SURFACE AREA	1774.06	in ²
HEIGHT		
LENGTH	30.0"	
WIDTH	8.5"	

COMMSCOPE, INC. OF NORTH CAROLINA

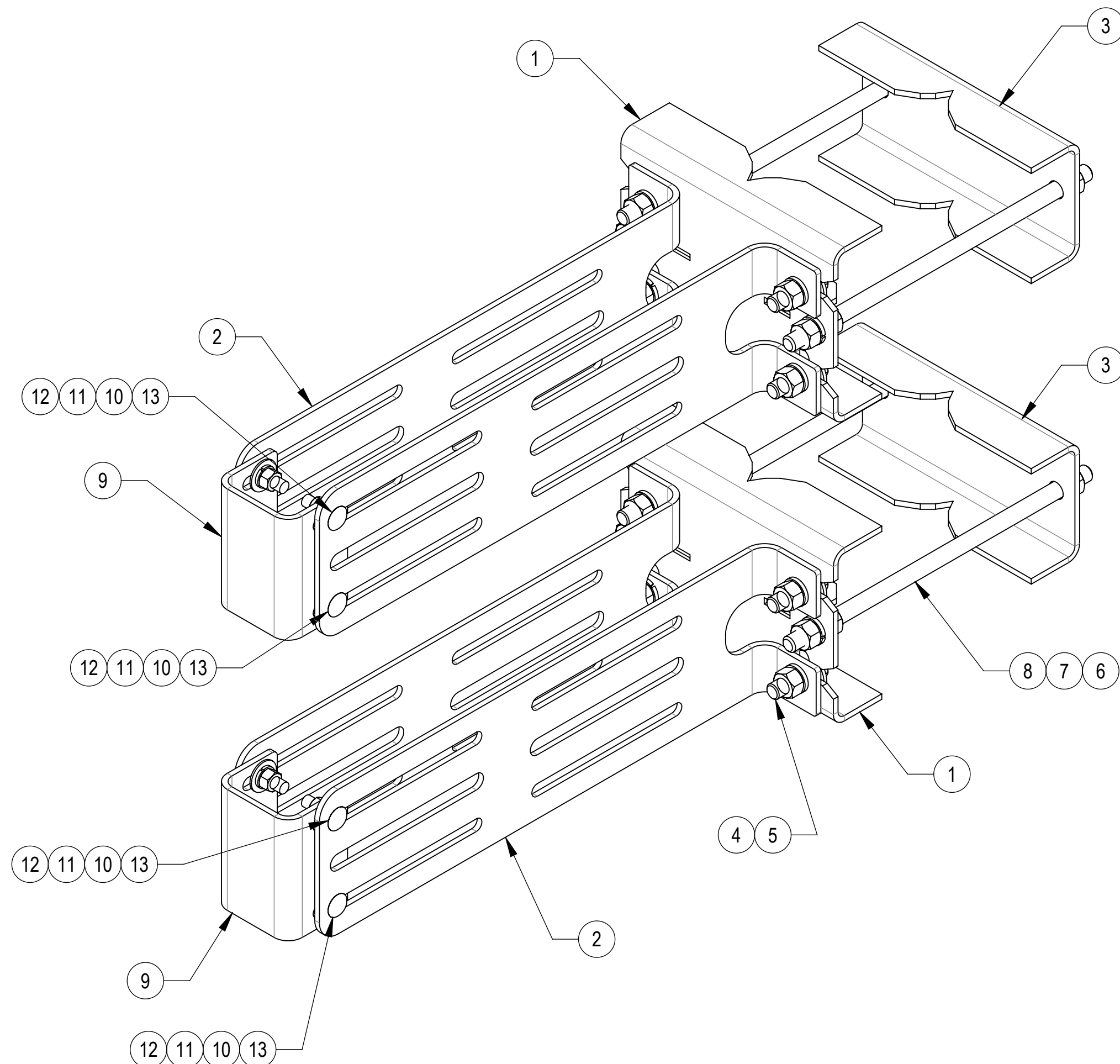
TOLERANCES		SAP MATERIAL MASTER	
0 PLACE .X[X] ± 0.25[6.3]	2 PLACE .XX[X] ± 0.06[1.5]	RR-FA2	
1 PLACE .X[X] ± 0.12[3.0]	ANGLES ± 2°		
FINISH		MATERIAL	
UNLESS OTHERWISE SPECIFIED DIMENSIONS ARE IN INCHES INTERPRET PER ANSI Y 14.5M-1994	NAME	DATE	TITLE
	CE RJC	06/28/19	FAST ACCESS RRU MOUNT
	RW RY1002	04/24/2024	
	AD AG1119	04/24/2024	
	RE YMENG	05/05/2024	
ECN 40194189CMO			
SCALE	DOCUMENT NO.		
1:3	RR-FA2		
SIZE	Auth Group	INSL	MODEL
C			
VERSION	STATUS	REVISION	DRAWING
03	RE	A	VERSION STATUS REVISION
			06 RE E
			SHEET
			1 OF 5

4

3

2

1



COMPONENT PART NUMBERS PROVIDED FOR ASSEMBLY PURPOSES;
 INDIVIDUAL COMPONENTS MAY BE SHIPPED AS PARTS WITHIN AN INCLUDED KIT.

ITEM	PART NO.	DESCRIPTION	QTY.	WEIGHT	NOTE NO.
1	MTC378912	WELDED FRONT BRACKET	2	4.18 LBS	
2	MTC378909	RRU HANGER	4	3.97 LBS	
3	MTC378903	REAR BRACKET	2	3.10 LBS	
4	GWF-04	1/2" GALV FLAT WASHER	8	0.04 LBS	
5	GB-04145	1/2" X 1-1/2" GALV BOLT KIT	8	0.13 LBS	
6	GWL-04	1/2" GALV LOCK WASHER	12	0.01 LBS	
7	GN-04	1/2" GALV HEX NUT	12	0.04 LBS	
8	MT-379	1/2" X 12" GALV THREADED ROD	4	0.66 LBS	
9	RRFA-0001-00	BRACKET, RRU MOUNT SMALL STABILIZER	2	1.46 LBS	
10	GWF-03	3/8" GALV FLAT WASHER	8	0.01 LBS	
11	GWL-03	3/8" GALV LOCK WASHER	8	0.01 LBS	
12	GN-03	3/8" GALV HEX NUT	8	0.02 LBS	
13	MTC8196	3/8 X 1-1/4" CARRIAGE BOLT	8	0.052 LBS	

COMMSCOPE, INC. OF NORTH CAROLINA

TITLE				
FAST ACCESS RRU MOUNT				
SIZE	SCALE	DOCUMENT NO.		
C	1:3	RR-FA2		
DRAWING				SHEET
VERSION	STATUS	REVISION	2 OF 5	
06	RE	E		

© 2024 CommScope, Inc. Confidential

4

3

2

1

4

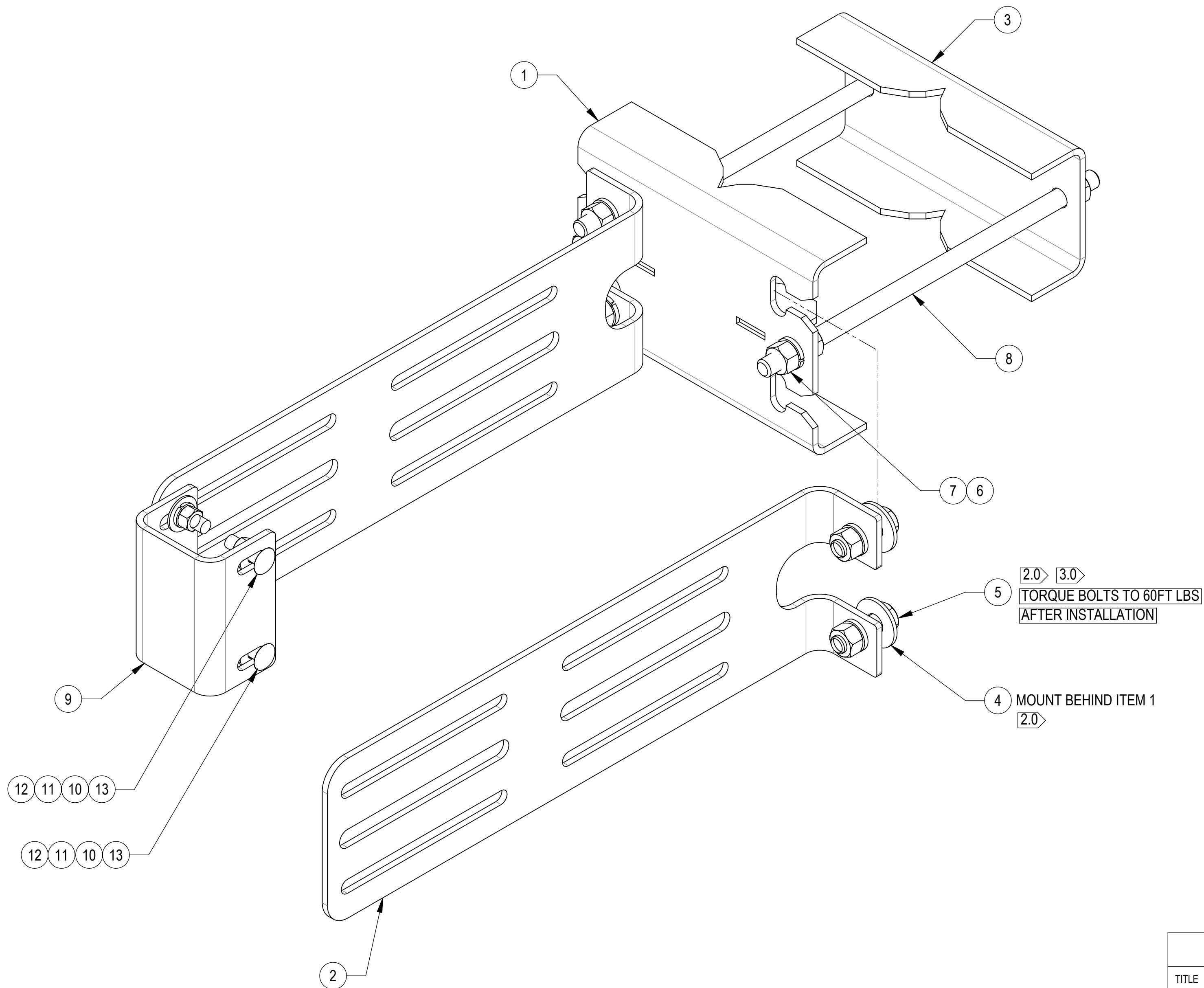
3

2

1

INSTALLATION NOTES

- 1.0 PREASSEMBLE HANGER BRACKETS (ITEM 2) AND RRUS
- 2.0 WITH ITEMS 4 & 5 LOOSE, SLIDE HANGER BRACKET (ITEM 2) INTO SLOTS OF ITEM 1.
- ITEM 4 MUST BE ON BACK (TURNED FLANGE) SIDE OF ITEM 1
- 3.0 TIGHTEN BOLTS AS SHOWN AFTER INSTALLATION



2.0 3.0
 TORQUE BOLTS TO 60FT LBS
 AFTER INSTALLATION

4 MOUNT BEHIND ITEM 1
 2.0

COMMSCOPE, INC. OF NORTH CAROLINA				
TITLE FAST ACCESS RRU MOUNT				
SIZE C	SCALE 1:2	DOCUMENT NO. RR-FA2		
		DRAWING		SHEET
		VERSION	STATUS	REVISION
		06	RE	E
				3 OF 5

4

3

2

1

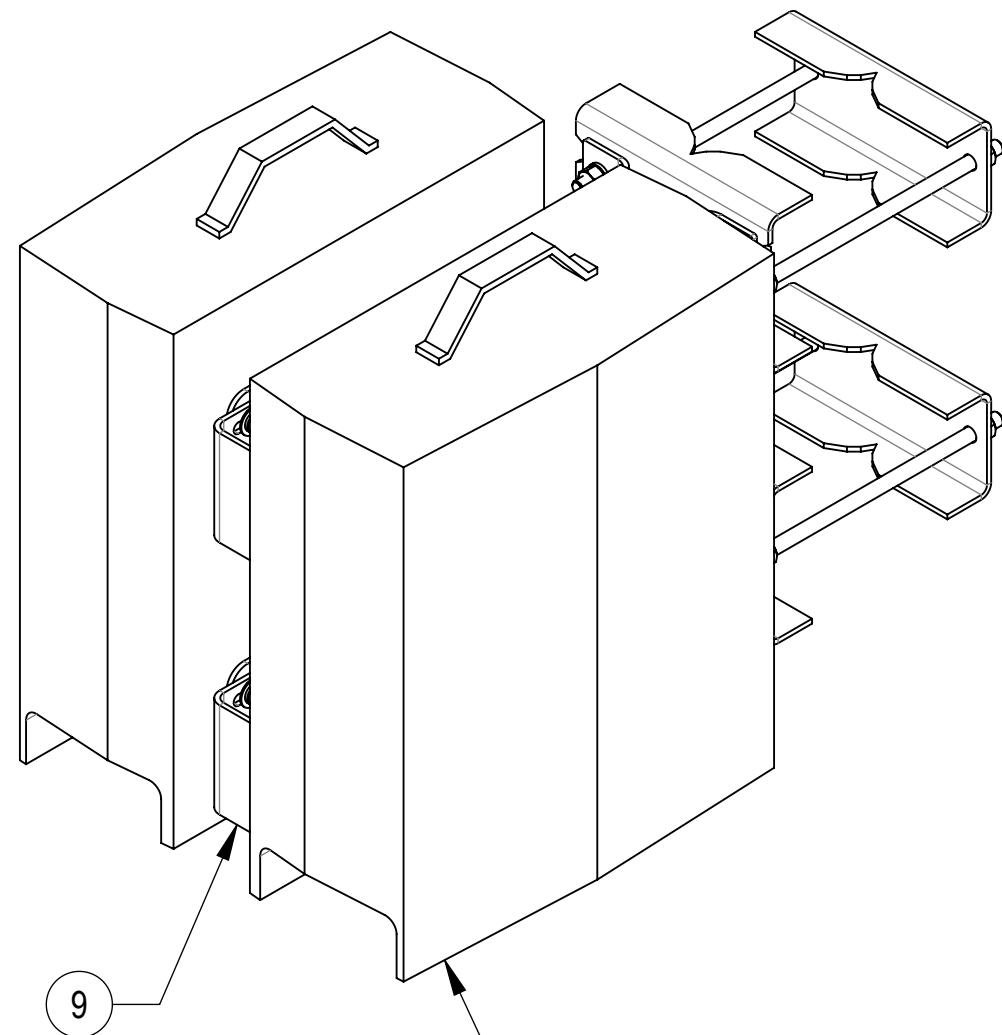
4

3

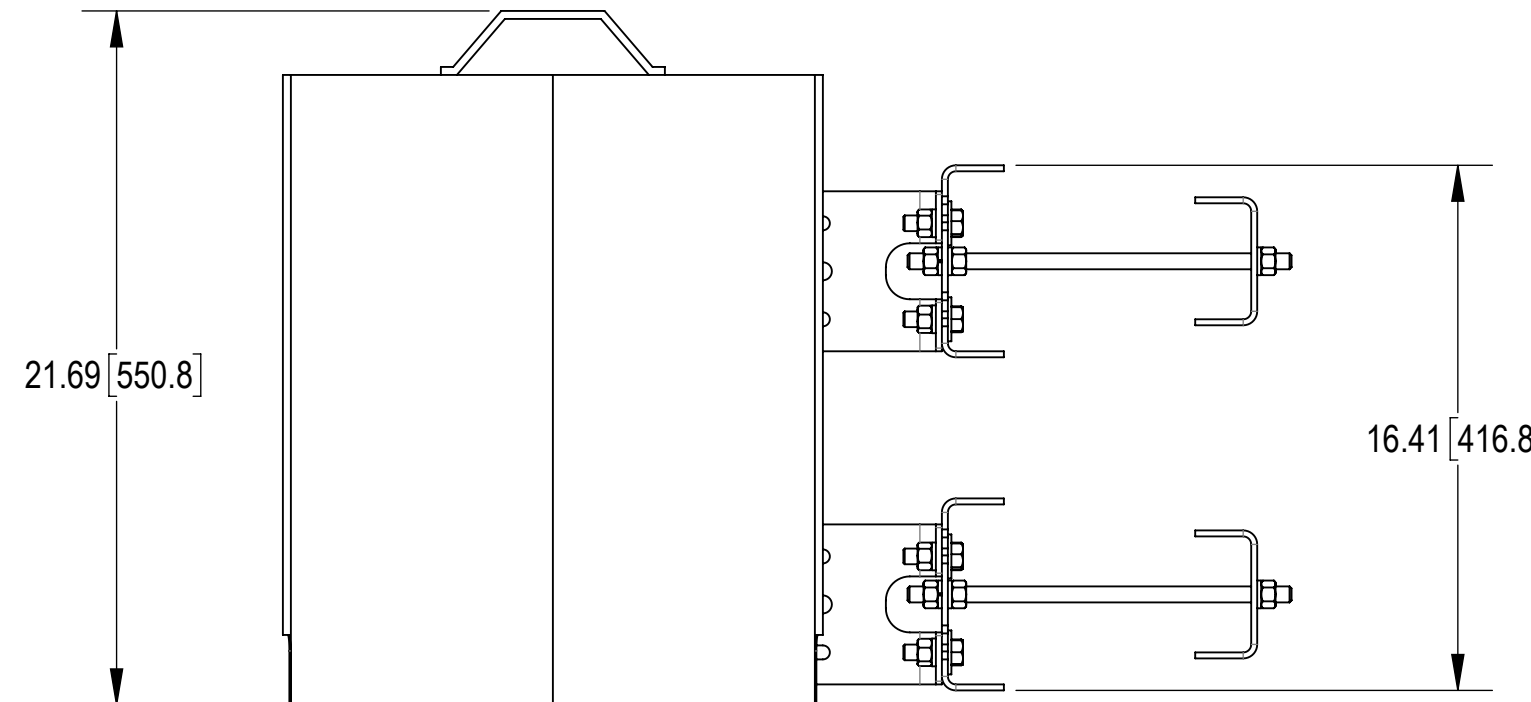
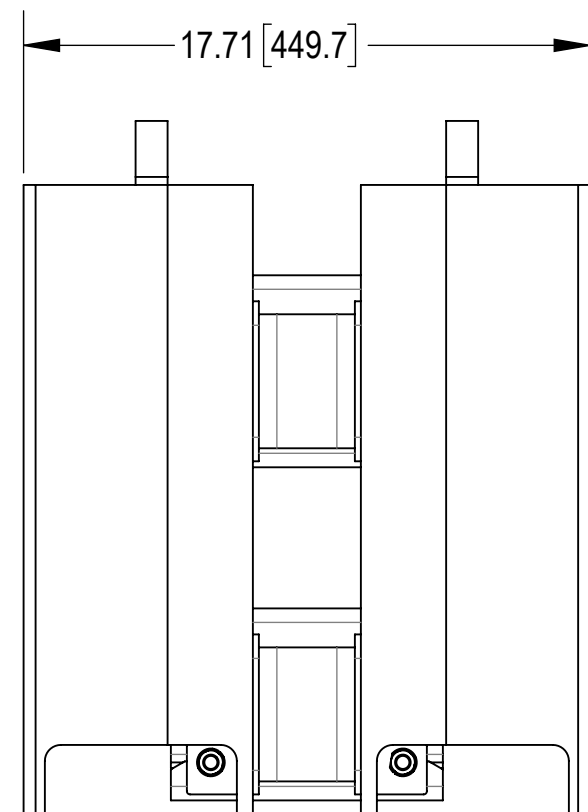
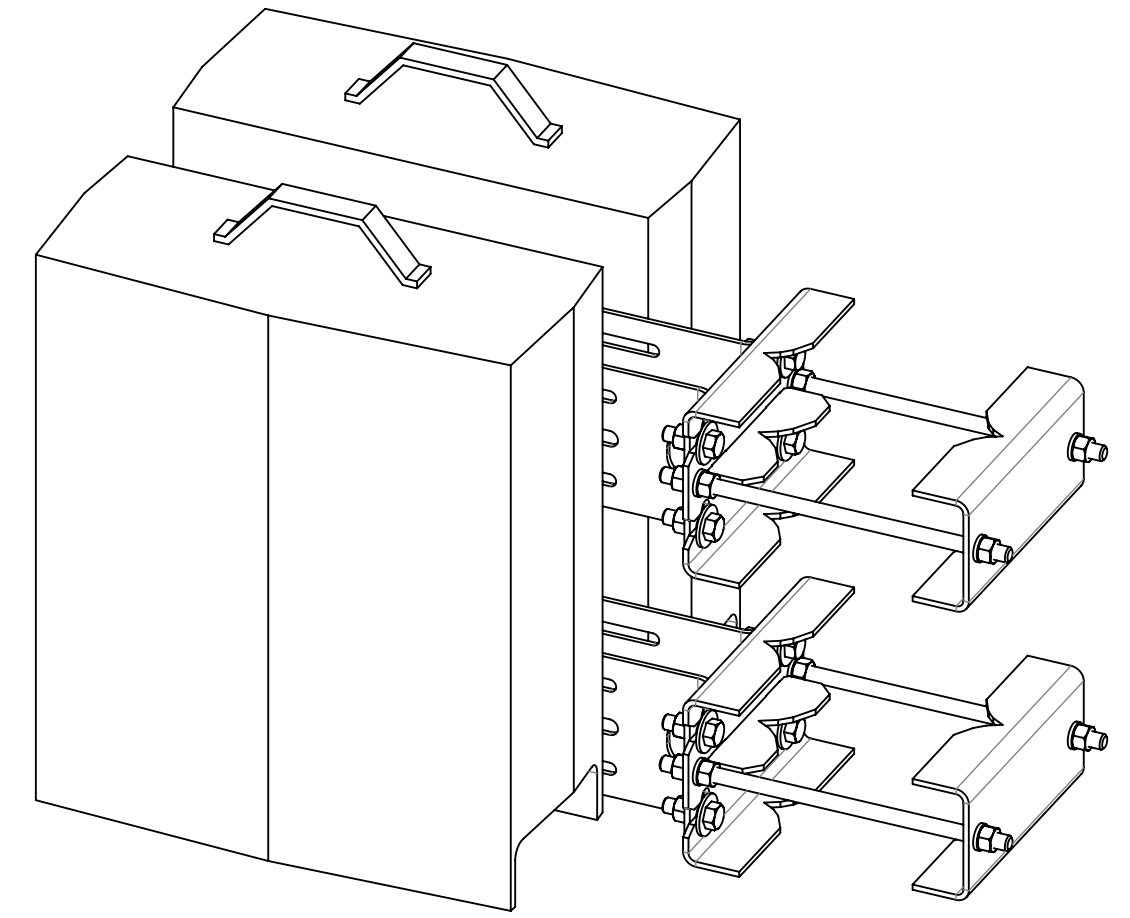
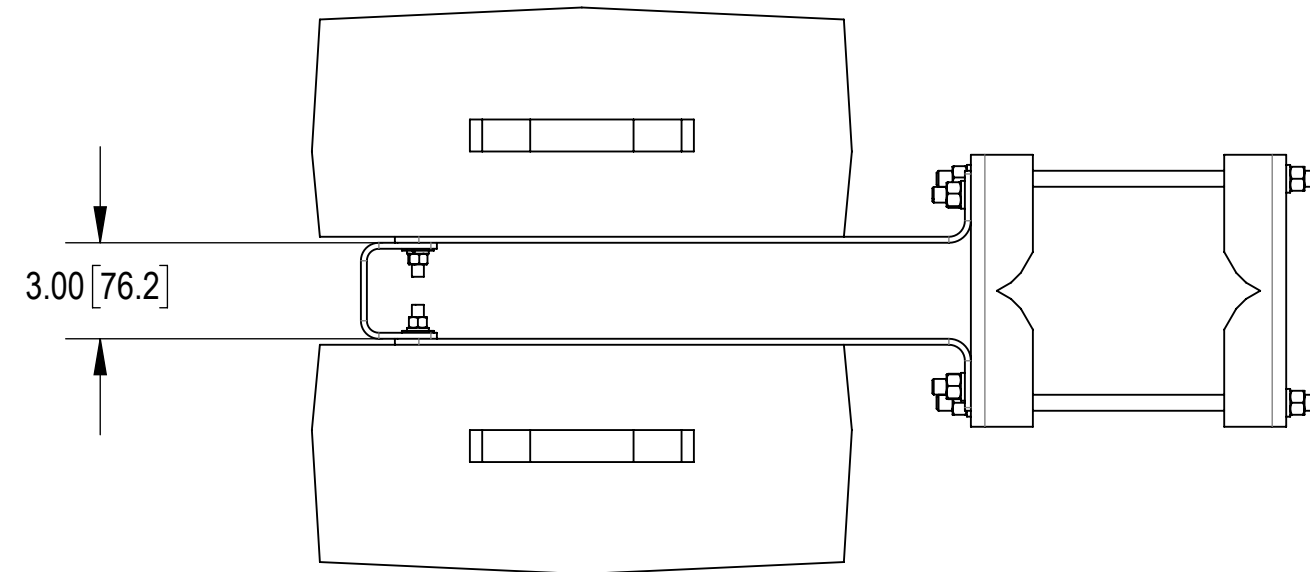
2


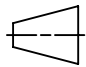
1

NOTES:
1.0 EXAMPLE INSTALLATION WITH RRU'S



RRU ORDERED SEPARATELY



COMMSCOPE, INC. OF NORTH CAROLINA					
TITLE FAST ACCESS RRU MOUNT					
SIZE C	SCALE 1:6	DOCUMENT NO. RR-FA2			
 		DRAWING			SHEET 4 OF 5
		VERSION 06	STATUS RE	REVISION E	

© 2024 CommScope, Inc. Confidential

4

3

2

1

D

D

C

C

B

B

A

A

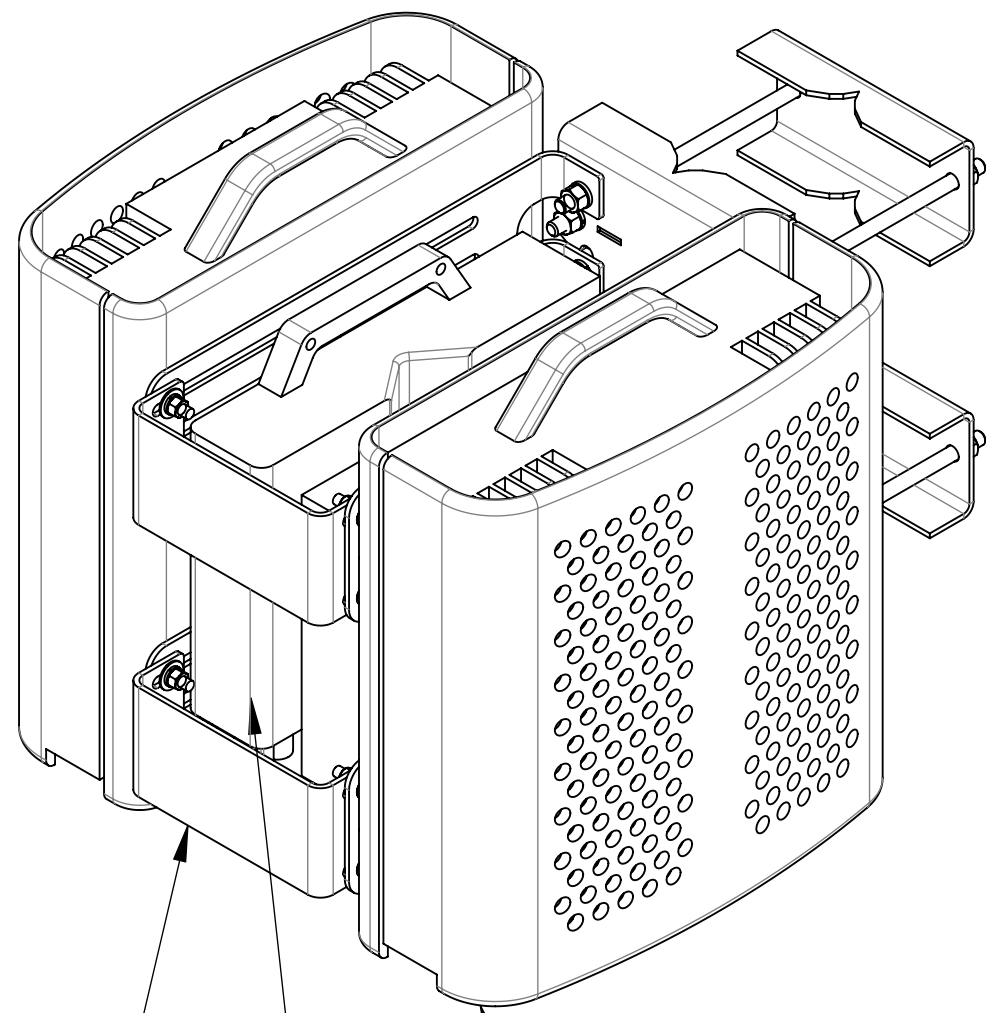
4

3

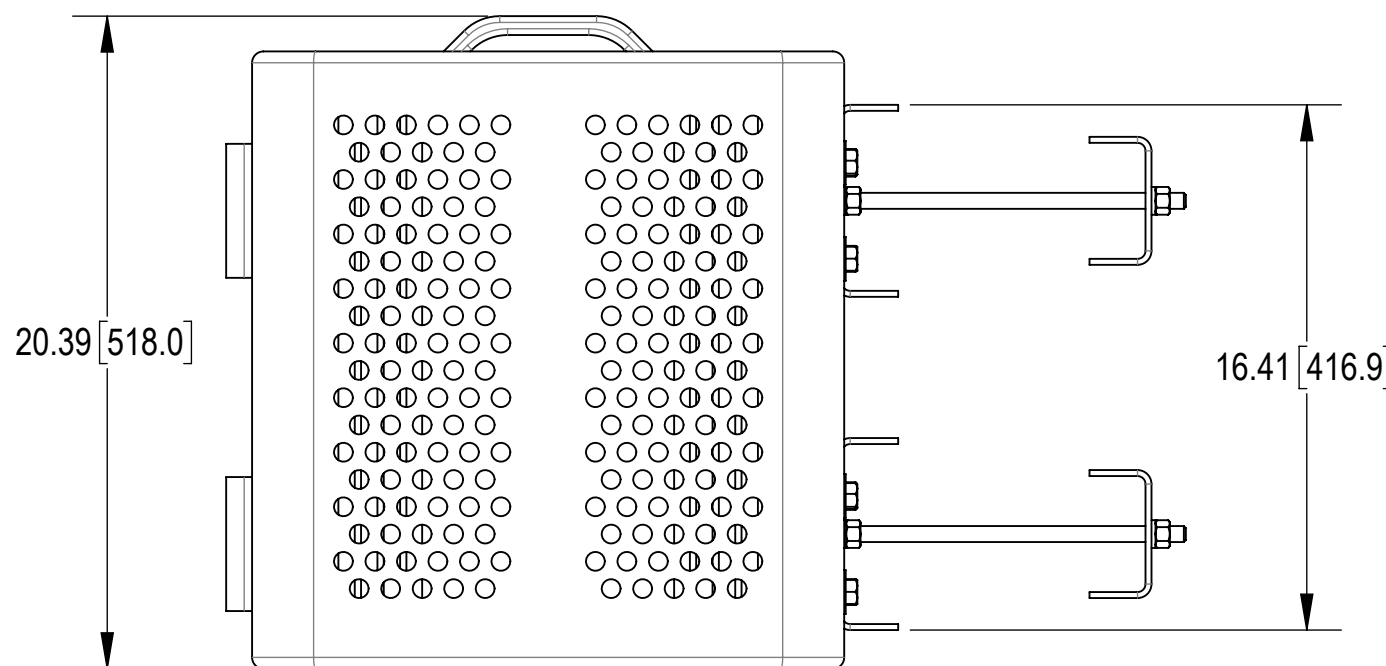
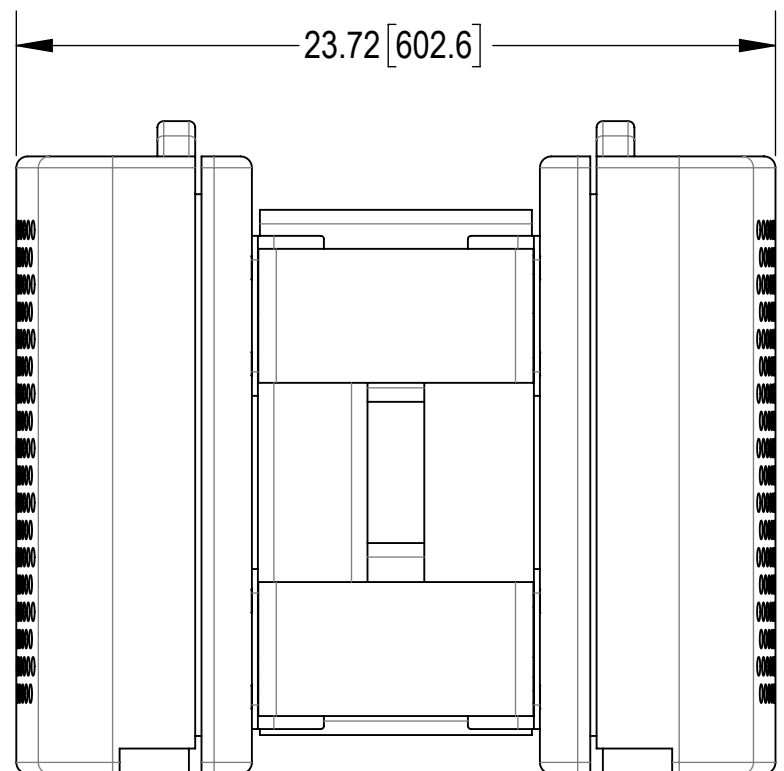
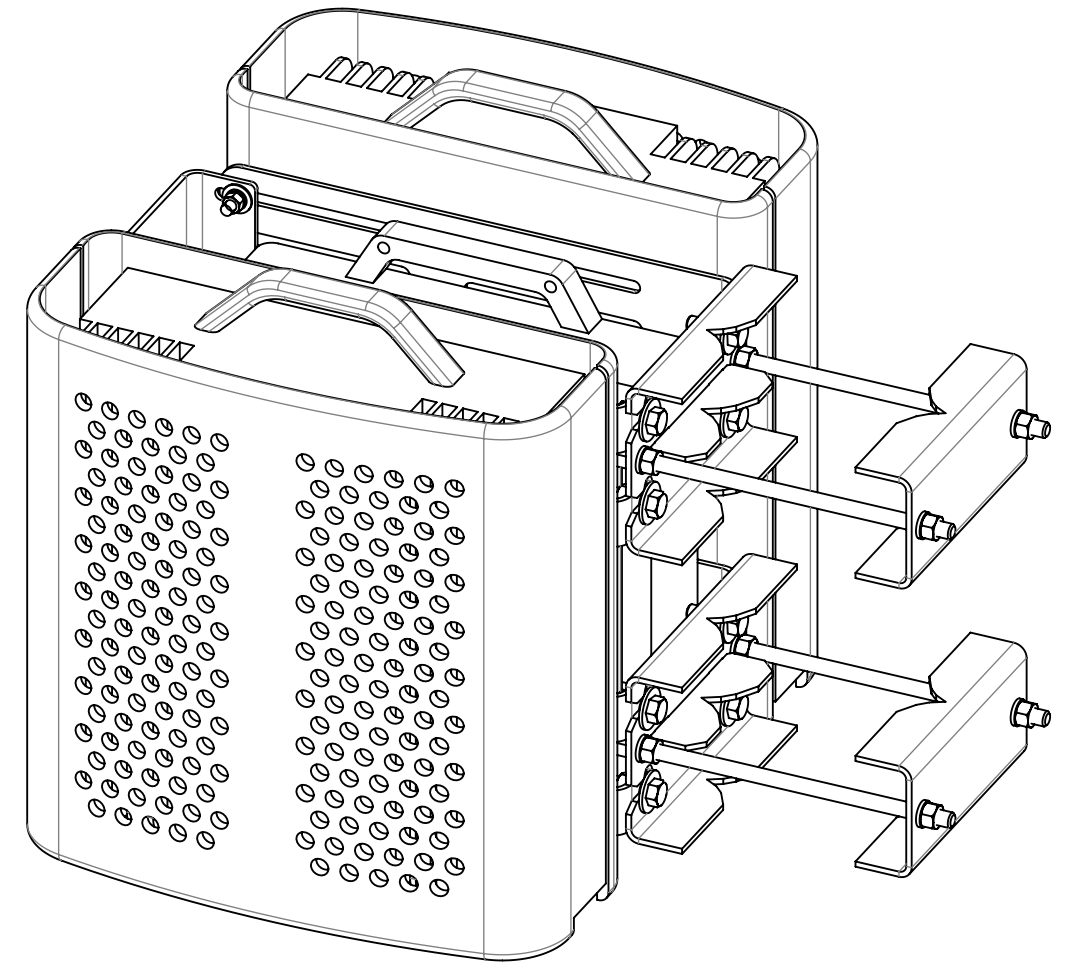
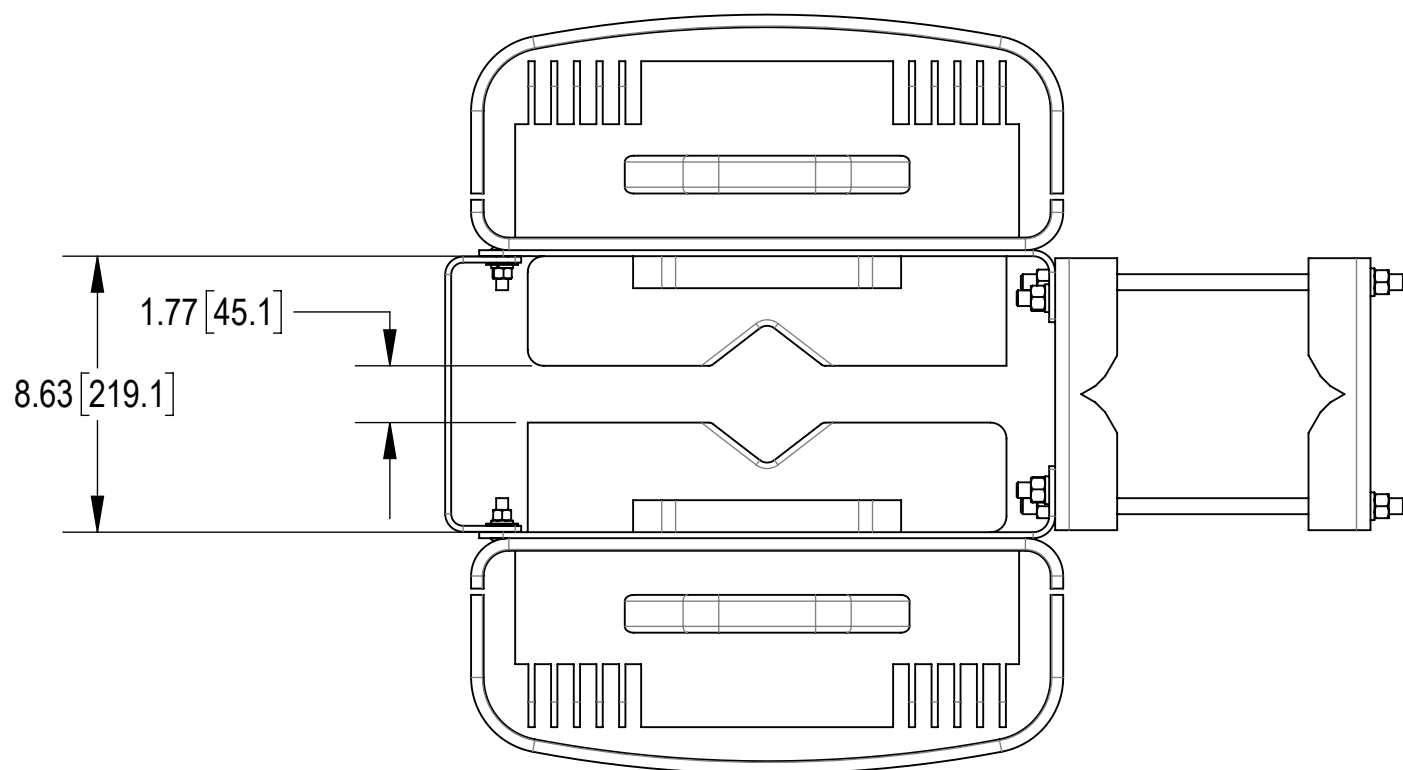
2

1

NOTES:
1.0 EXAMPLE INSTALLATION WITH RRU'S AND AS RADIOS



RRU ORDERED SEPARATELY
A2 ORDERED SEPARATELY
LARGE STABILIZER KIT (RRFAK-002L) SOLD SEPARATELY



COMMSCOPE, INC. OF NORTH CAROLINA				
TITLE FAST ACCESS RRU MOUNT				
SIZE C	SCALE 1:6	DOCUMENT NO. RR-FA2		
DRAWING		VERSION	STATUS	REVISION
SHEET		06	RE	E
5 OF 5				

4

3

2

1