

4

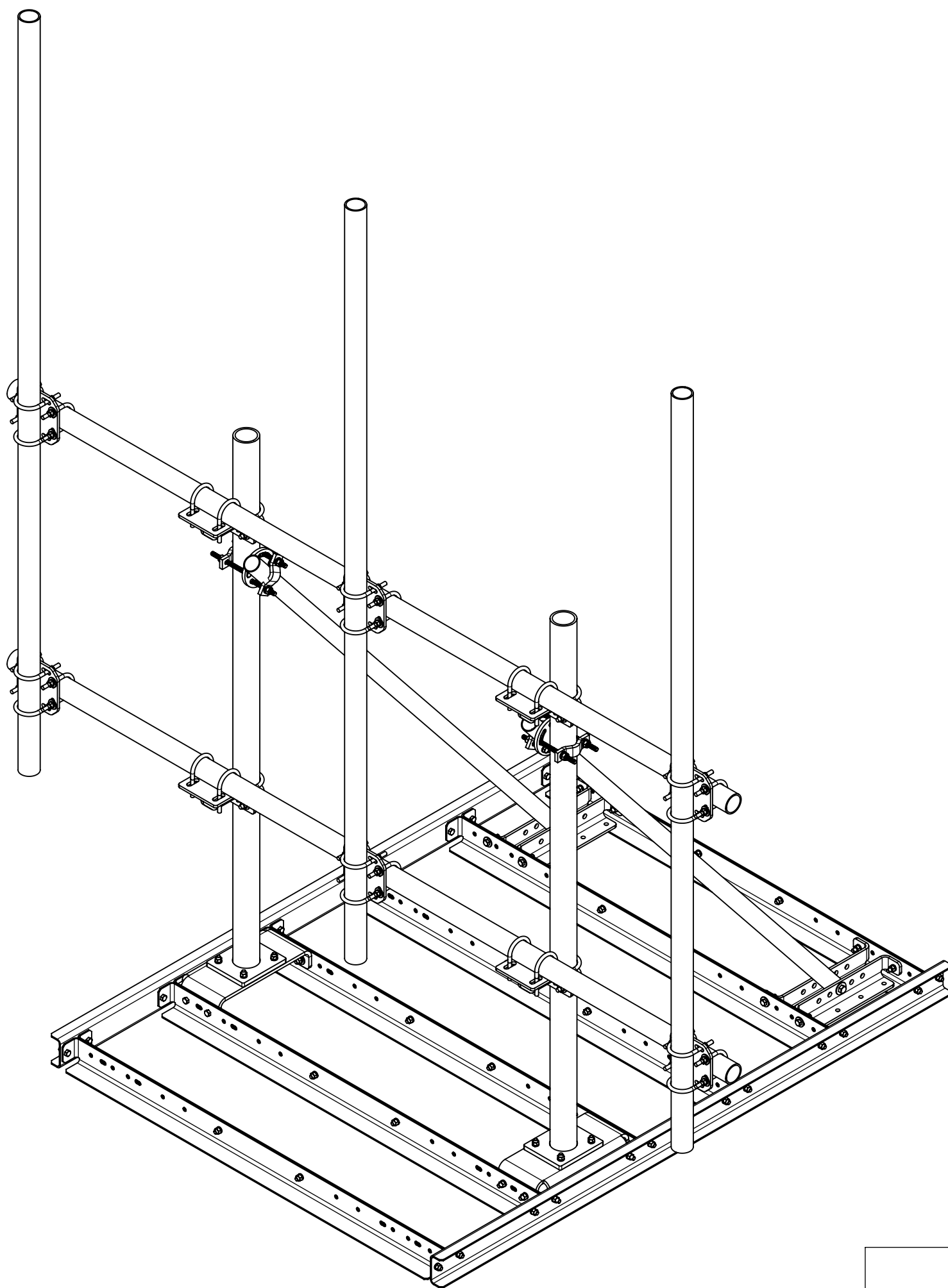
3

2

1

- 1.0 GENERAL NOTES
 - 1.1 ALL METRIC DIMENSIONS ARE IN BRACKETS [X. X]
 - 1.2 FOR PATENT INFO: <https://www.cs-pat.com>
- 2.0 DESIGN NOTES
- 3.0 MANUFACTURING/SPECIAL REQUIREMENTS
 - 3.1 TIGHTEN ALL BOLTS SECURING FLAT PLATES BY THE TURN-OF-NUT METHOD. TIGHTEN ALL U-BOLTS USING TURN-OF-NUT METHOD WITH ATTENTION TO LEAVE EQUAL DISTANCE AND EQUAL FORCE ON EACH LEG OF THE U-BOLT.
- 4.0 TEST
- 5.0 PACKAGING
 - 5.1 PACKAGING SHALL MEET COMMSCOPE REQUIREMENTS PER DOCUMENT IS-PL-3005
 - 5.2 PRINTED DOCUMENT TO BE PLACED INSIDE POLYBAG AND THEN IN SHIPPING CONTAINER
 - 5.3 EXTRA HARDWARE MAY BE SUPPLIED, BAGGED AND SHIPPED

REVISIONS			
REV.	DESCRIPTION	DATE	APPROVED
A	INITIAL RELEASE	YMENG 25APR24	



COMMSCOPE, INC. OF NORTH CAROLINA										
TOLERANCES					SAP MATERIAL MASTER					
1 PLACE .X[X] ± 0.2[6.3]			3 PLACE .XXX[X] ± 0.060[1.5]		RT-NF11-3-120					
2 PLACE .XX[X] ± 0.12[3.0]			ANGLES ± 2°							
FINISH					MATERIAL					
UNLESS OTHERWISE SPECIFIED DIMENSIONS ARE IN INCHES INTERPRET PER ANSI Y 14.5M-1994	NAME		DATE		PIM-GUARD MOUNT, 11', BALLAST, W/3 PIPES					
	CE YMENG		25APR24							
	RW									
	AD									
	RE									
ECN				SCALE		DOCUMENT NO.				
1:24										
SIZE		Auth Group		MODEL			DRAWING			
C		[Symbol]		VERSION		STATUS	REVISION	VERSION	STATUS	REVISION
				07						
SHEET		1 OF 3								

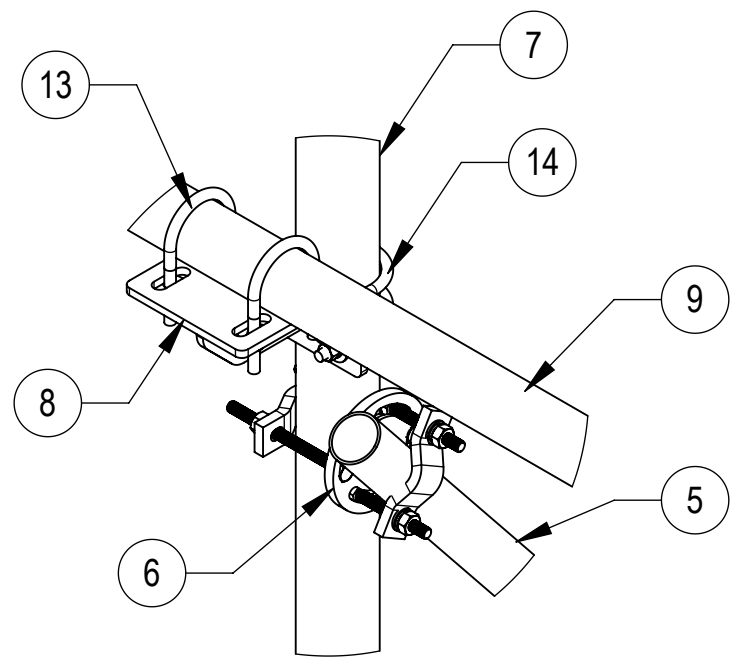
DENSITY		lbs/in ³
MASS	1068.38	lbs
VOLUME	3786.01	in ³
SURFACE AREA	36038.90	in ²
HEIGHT		
LENGTH		
WIDTH		

4

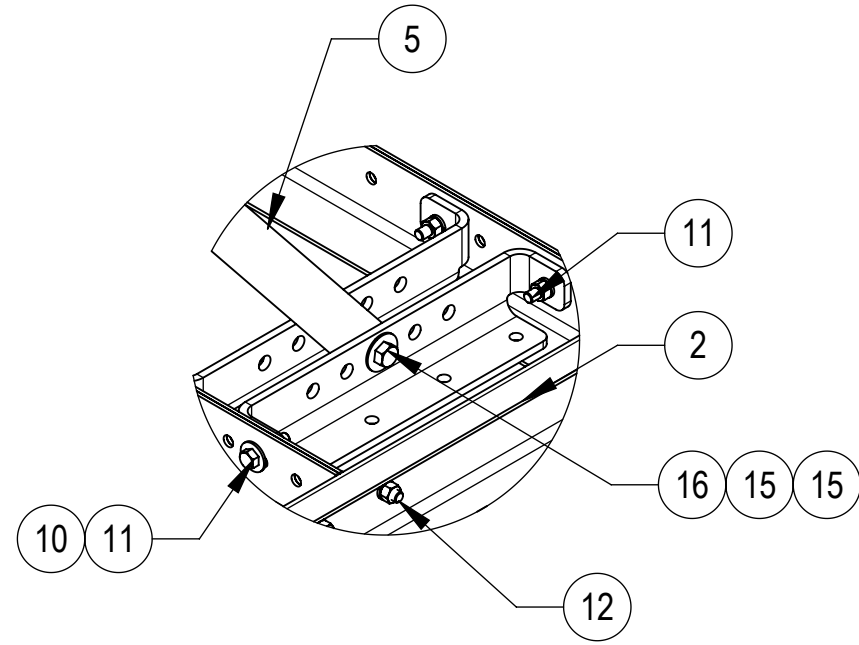
3

2

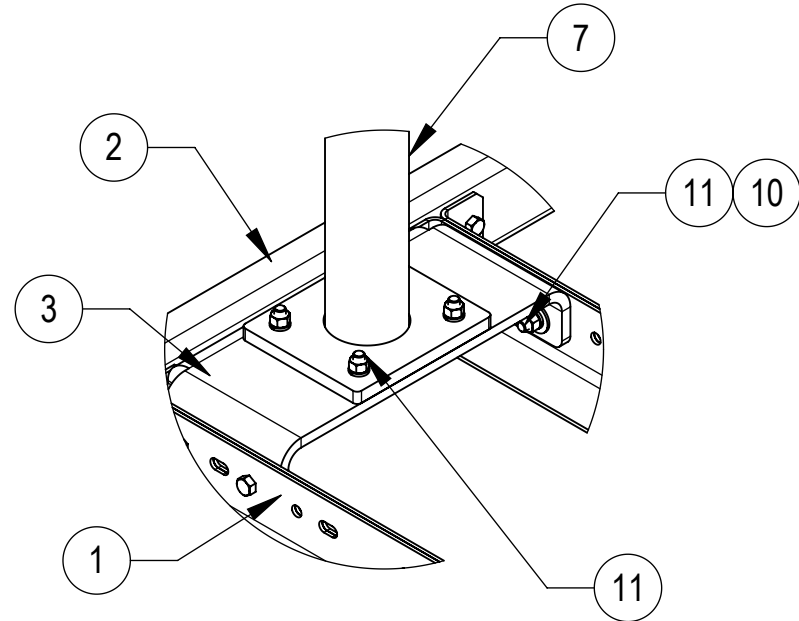
1



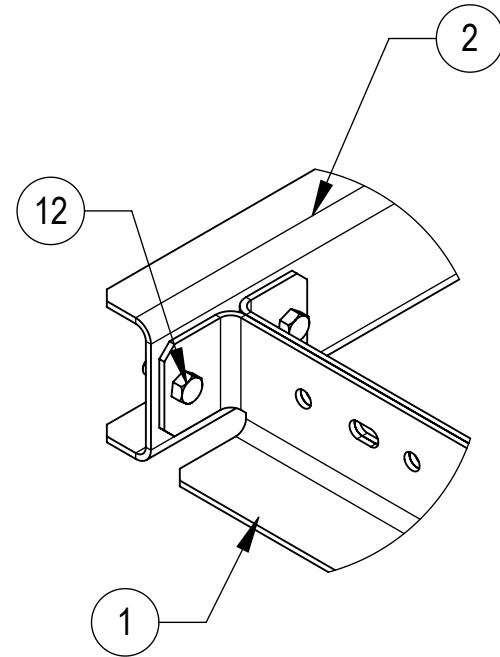
DETAIL A
SCALE 1 : 8



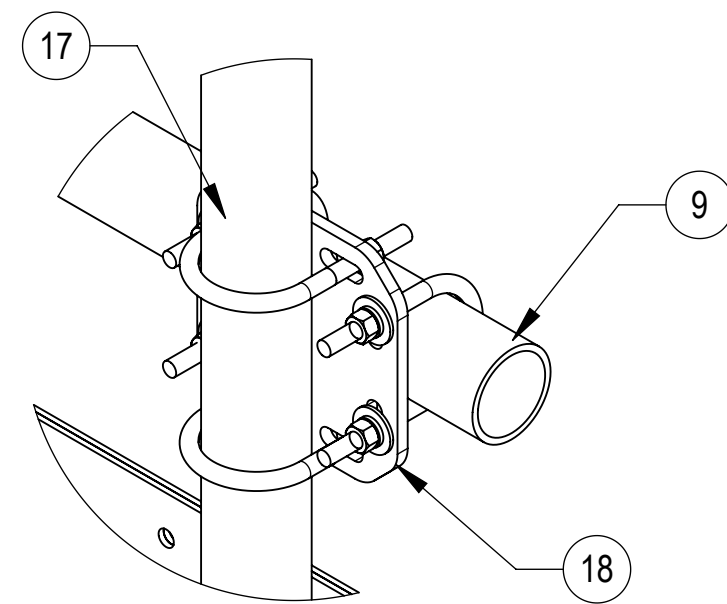
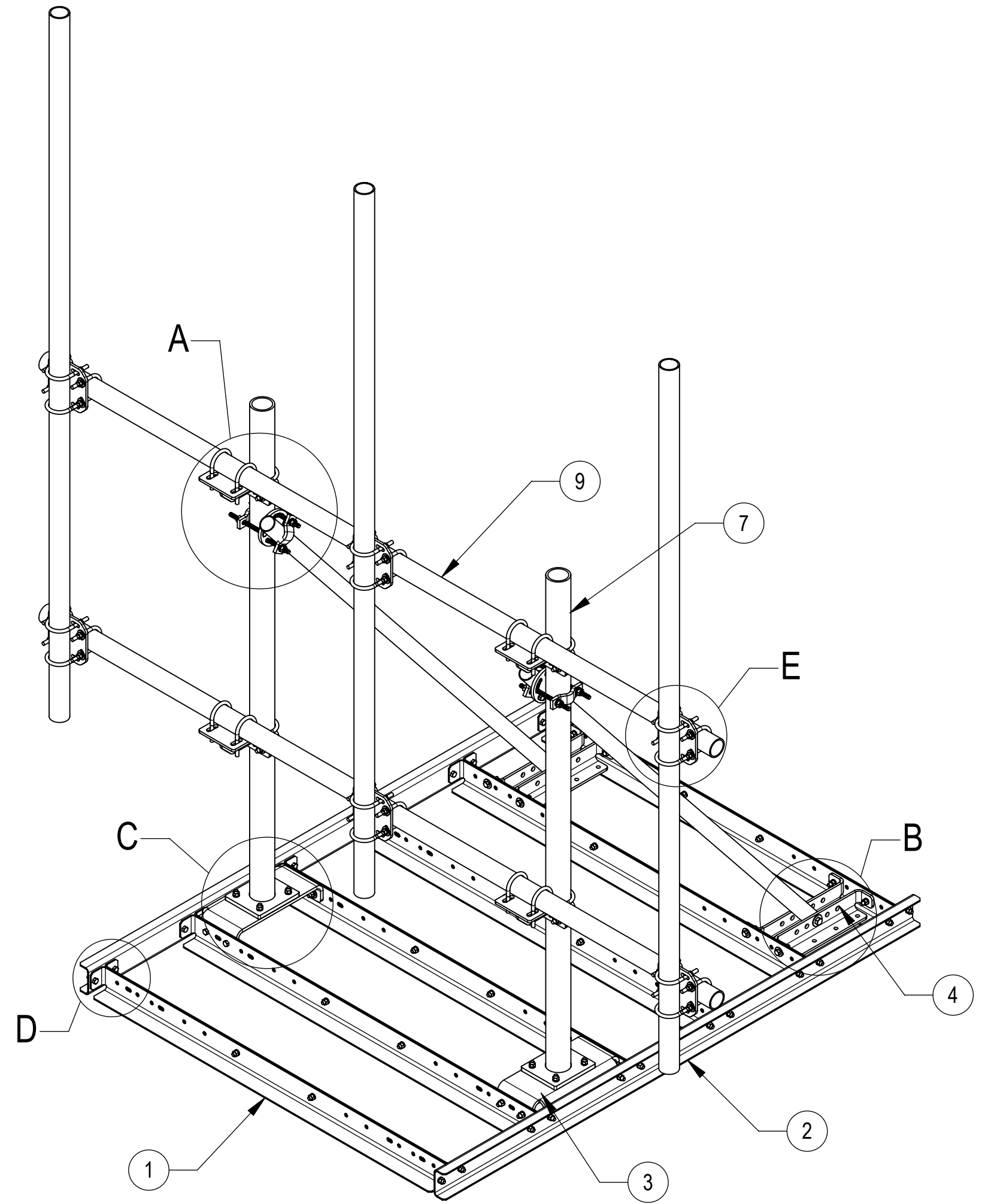
DETAIL B
SCALE 1 : 8



DETAIL C
SCALE 1 : 8



DETAIL D
SCALE 1 : 5

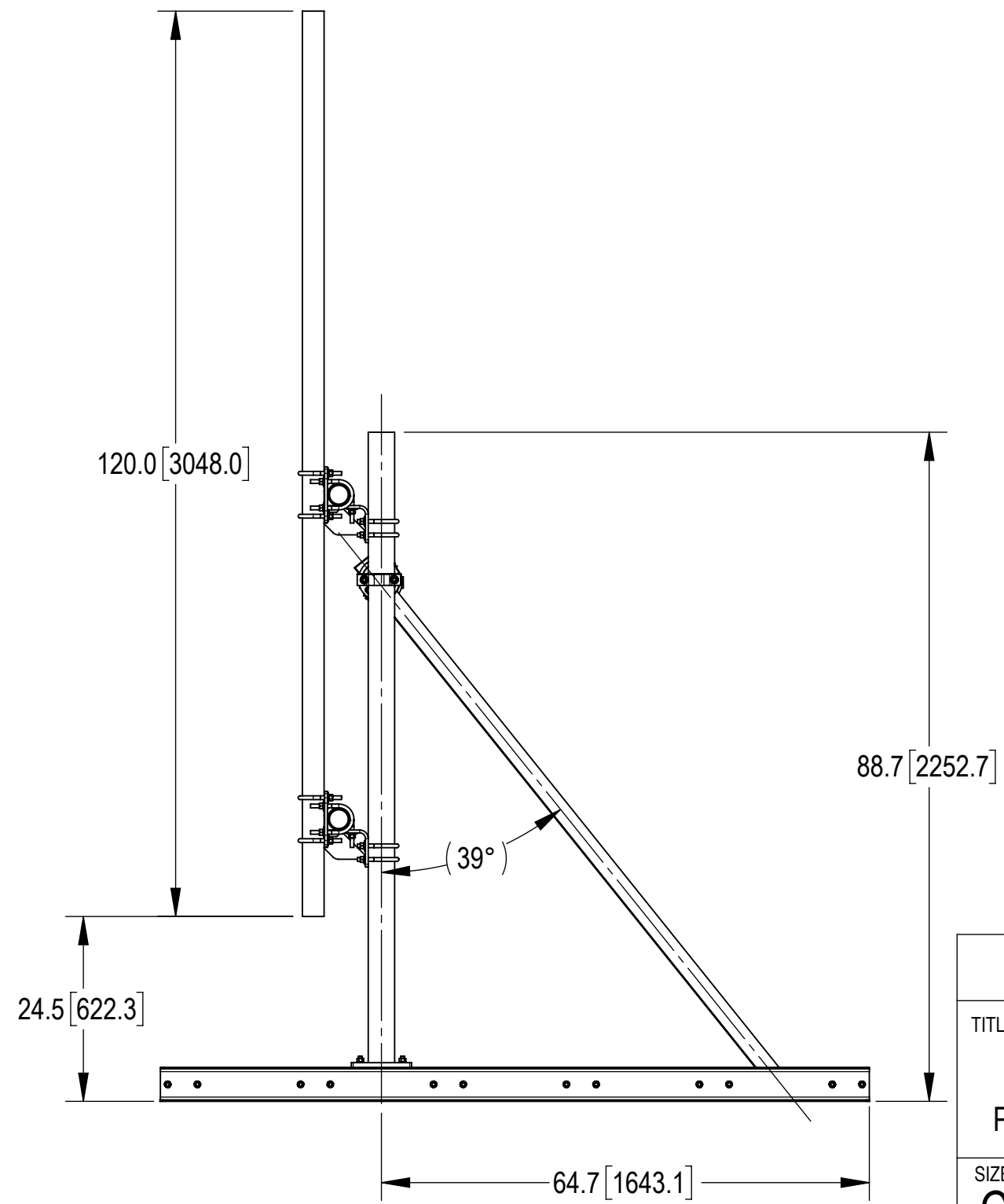
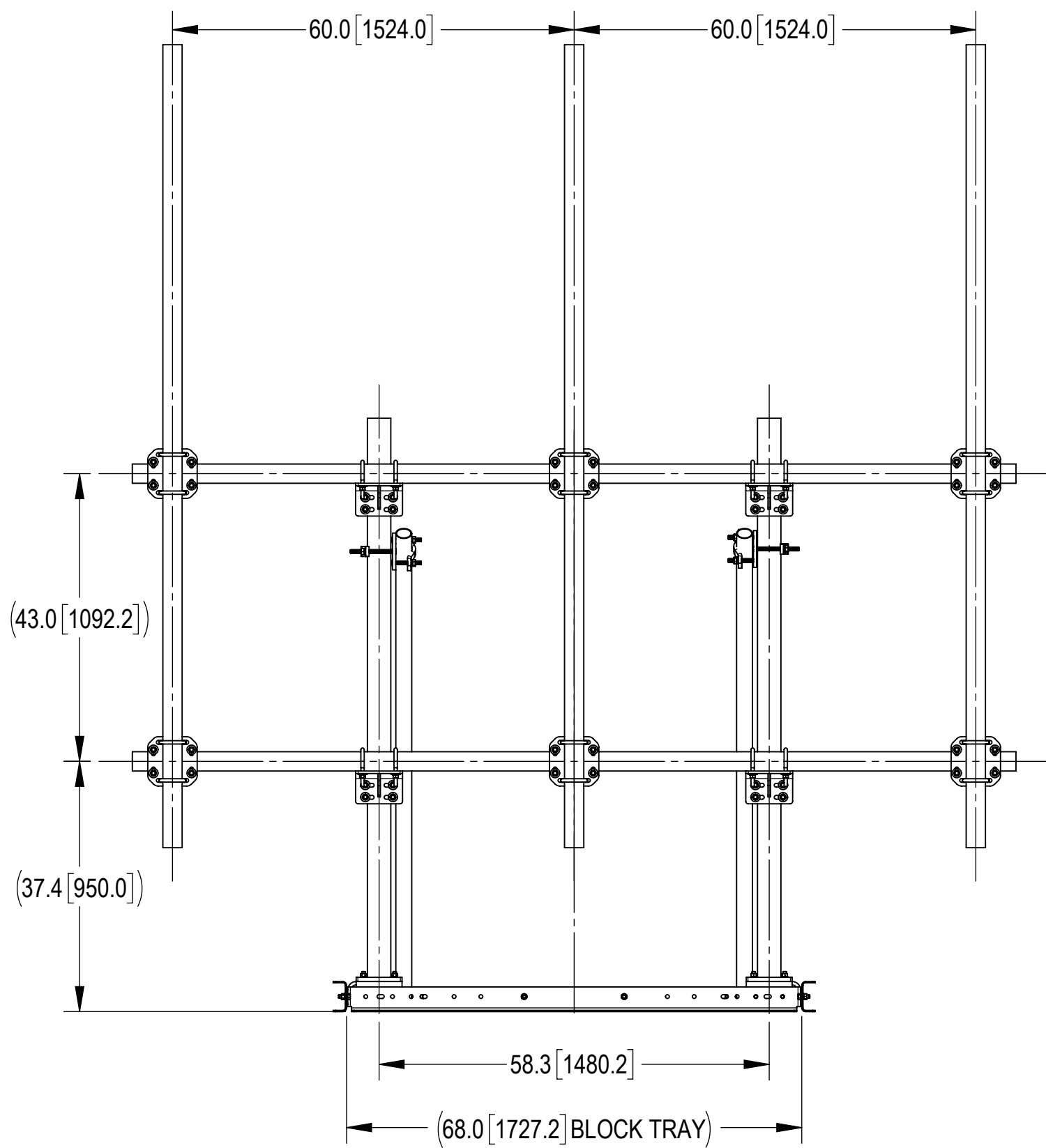
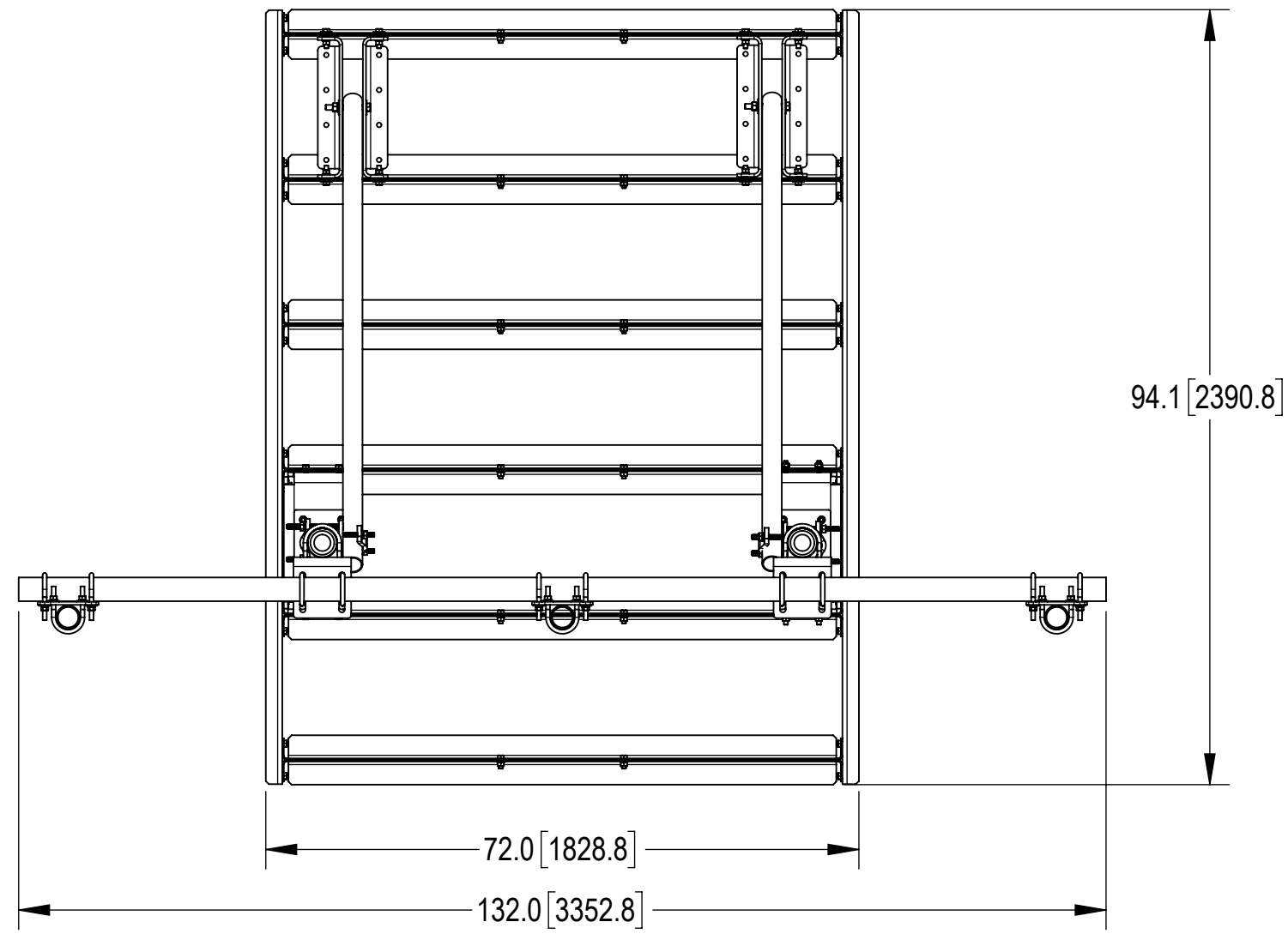


DETAIL E
SCALE 1 : 5

COMPONENT PART NUMBERS PROVIDED FOR ASSEMBLY PURPOSES;
INDIVIDUAL COMPONENTS MAY BE SHIPPED AS PARTS WITHIN AN INCLUDED KIT.

ITEM	PART NO.	DESCRIPTION	QTY.	WEIGHT	NOTE NO.
1	RTNF100-00	ANGLE, ROOF TOP TRAY	12	22.75 LBS	
2	RTNF102	CHANNEL, ROOF TOP TRAY SIDE	2	38.18 LBS	
3	RTNF103	BRACKET, ROOF TOP VERTICLE PIPE MTG	2	27.93 LBS	
4	RTNF107	BRACKET, ROOF TOP TIEBACK	4	9.45 LBS	
5	RTNF090-00	PIPE, ROOF TOP TIEBACK	2	21.53 LBS	
6	XP-R	CROSSOVER PLATE, ROUND, UP TO 3.5" OD	2	6.20 LBS	
7	RTNF110	WELDMENT, ROOF TOP VERTICLE PIPE	2	79.04 LBS	
8	RTNF114	WELDMENT, FACE PIPE L BRACKET	4	8.96 LBS	
9	MT546132	2.875" O.D. X 132" PIPE	2	0.00 LBS	
10	GWF-04	1/2" GALV FLAT WASHER	20	0.00 LBS	
11	GB-04205	1/2" X 2" GALV BOLT KIT	28	0.16 LBS	
12	GB-04125	1/2" X 1-1/4" GALV BOLT KIT	32	0.12 LBS	
13	GUB-4352	1/2" X 3" X 5-1/4" GALV U-BOLT	8	0.71 LBS	
14	GUB-4355	1/2" X 3-5/8" X 5" GALV U-BOLT	8	0.71 LBS	
15	GWF-05	5/8" GALV FLAT WASHER, 1.7OD	4	0.06 LBS	
16	GB-05505	5/8" X 5" GALV BOLT KIT	2	0.52 LBS	
17	MT546120	PIPE, 2.875"OD X 120"	3	57.45 LBS	
18	XP-2525	CROSSOVER PLATE KIT, 2-7/8 OD X 2-7/8 OD	6	8.37 LBS	

COMMSCOPE, INC. OF NORTH CAROLINA				
TITLE				
PIM-GUARD MOUNT, 11', BALLAST, W/3 PIPES				
SIZE	SCALE	DOCUMENT NO.		
C	1:24			
DRAWING		SHEET		
VERSION	STATUS	REVISION	2 OF 3	



COMMSCOPE, INC. OF NORTH CAROLINA			
TITLE			
PIM-GUARD MOUNT, 11', BALLAST, W/3 PIPES			
SIZE	SCALE	DOCUMENT NO.	
C	1:24		
DRAWING		SHEET	
VERSION	STATUS	REVISION	3 OF 3

© 2024 CommScope, Inc. Confidential