

4

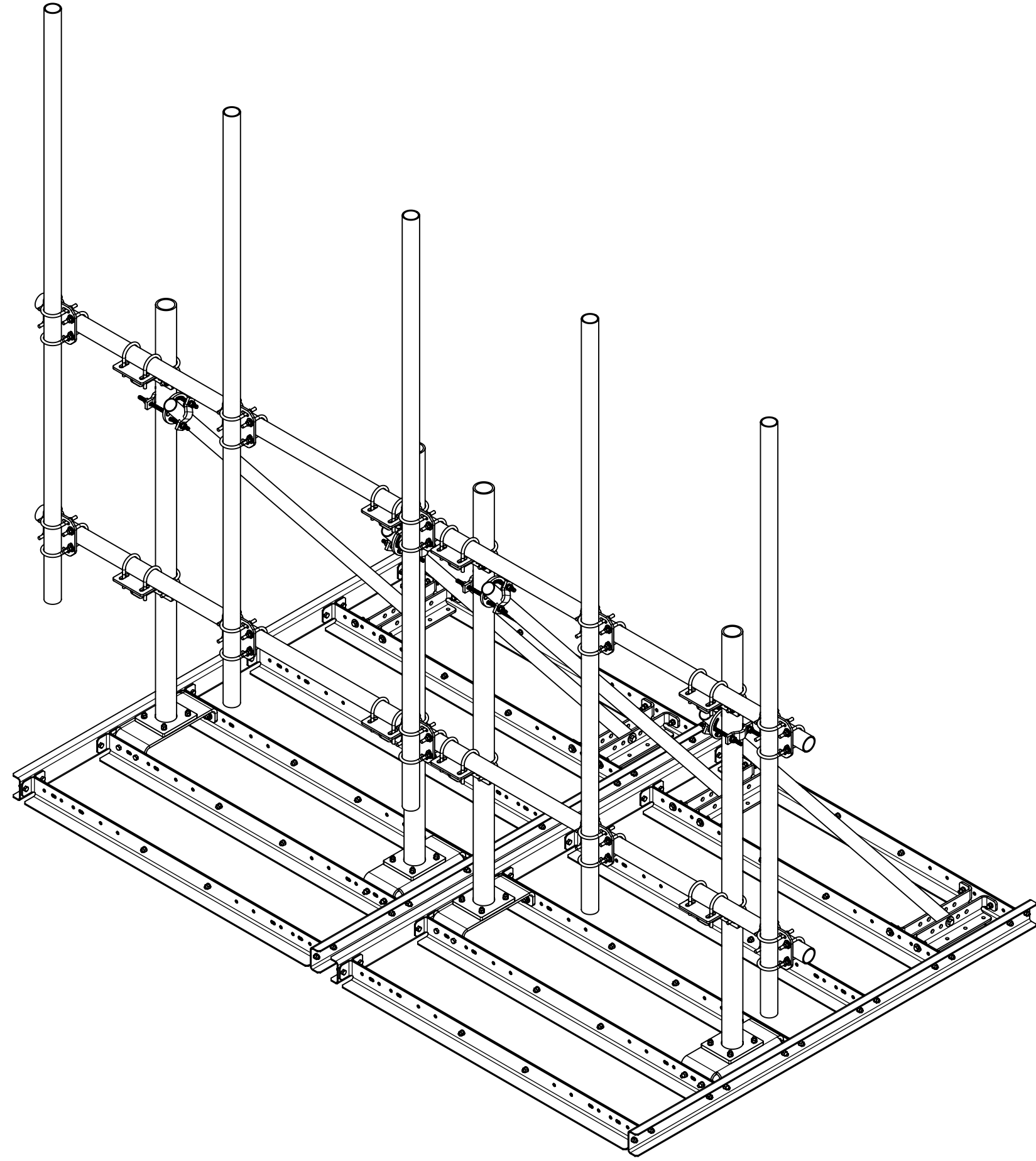
3


2

1

- 1.0 GENERAL NOTES
 - 1.1 ALL METRIC DIMENSIONS ARE IN BRACKETS [X.X]
 - 1.2 FOR PATENT INFO: <https://www.cs-pat.com>
- 2.0 DESIGN NOTES
- 3.0 MANUFACTURING/SPECIAL REQUIREMENTS
 - 3.1 TIGHTEN ALL BOLTS SECURING FLAT PLATES BY THE TURN-OF-NUT METHOD. TIGHTEN ALL U-BOLTS USING TURN-OF-NUT METHOD WITH ATTENTION TO LEAVE EQUAL DISTANCE AND EQUAL FORCE ON EACH LEG OF THE U-BOLT.
- 4.0 TEST
- 5.0 PACKAGING
 - 5.1 PACKAGING SHALL MEET COMMSCOPE REQUIREMENTS PER DOCUMENT IS-PL-3005
 - 5.2 PRINTED DOCUMENT TO BE PLACED INSIDE POLYBAG AND THEN IN SHIPPING CONTAINER
 - 5.3 EXTRA HARDWARE MAY BE SUPPLIED, BAGGED AND SHIPPED

REVISIONS			
REV.	DESCRIPTION	DATE	APPROVED
A	INITIAL RELEASE		



COMMSCOPE, INC. OF NORTH CAROLINA									
TOLERANCES					SAP MATERIAL MASTER				
1 PLACE .X[X] ± 0.2[6.3]			3 PLACE .XXX[X] ± 0.060[1.5]		RT-DF15-4-120				
2 PLACE .XX[X] ± 0.12[3.0]			ANGLES ± 2°						
FINISH					MATERIAL				
UNLESS OTHERWISE SPECIFIED DIMENSIONS ARE IN INCHES INTERPRET PER ANSI Y 14.5M-1994	CE	NAME	DATE	TITLE					
	RW			PIM-GUARD MOUNT, 15', BALLAST, W/4 PIPES					
	AD								
	RE								
	ECN								
SCALE		DOCUMENT NO.							
1:24									
SIZE	Auth Group	MODEL			DRAWING				
C		VERSION	STATUS	REVISION	VERSION	STATUS	REVISION	SHEET	
		06						1 OF 3	

DENSITY		lbs/in ³
MASS	1983.41	lbs
VOLUME	7024.31	in ³
SURFACE AREA	66484.45	in ²
HEIGHT		
LENGTH		
WIDTH		

4

3

2

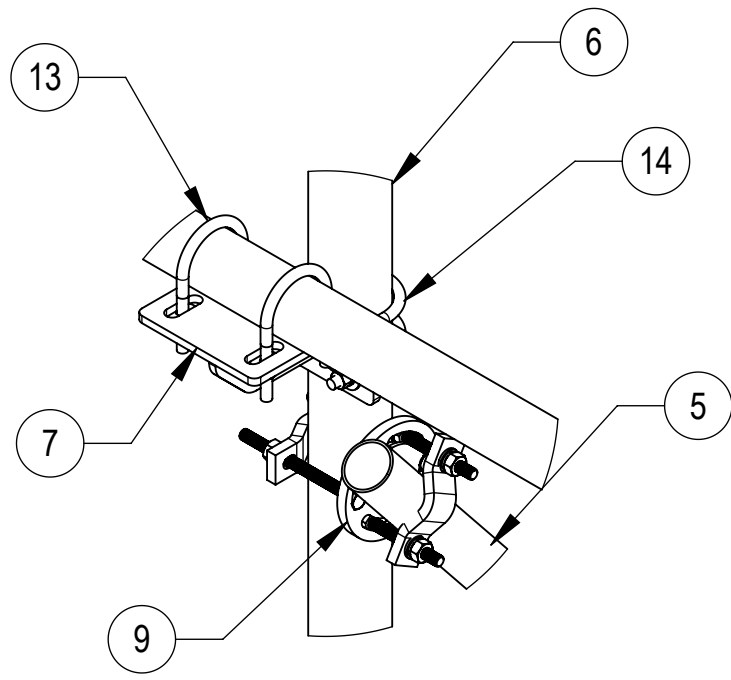
1

4

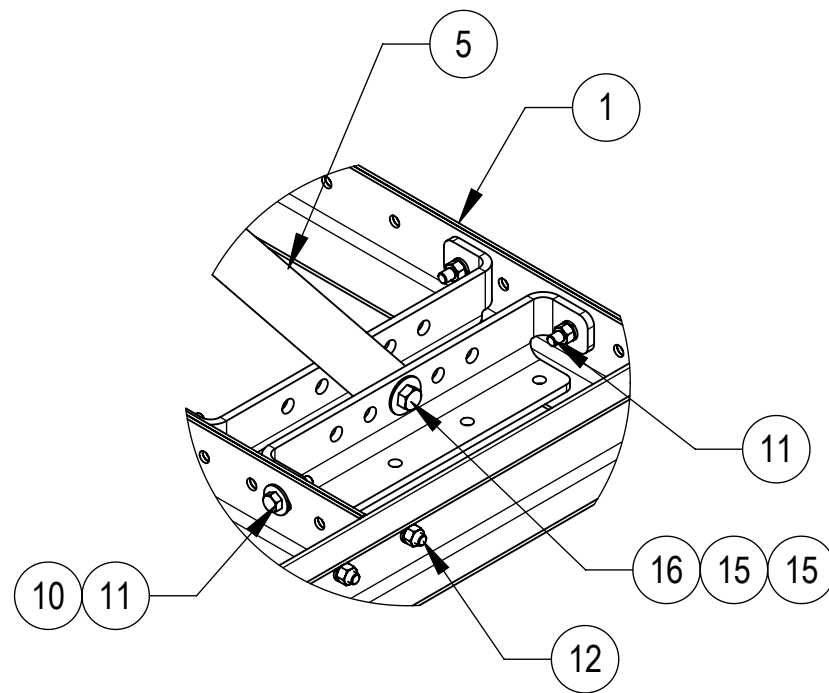
3

2

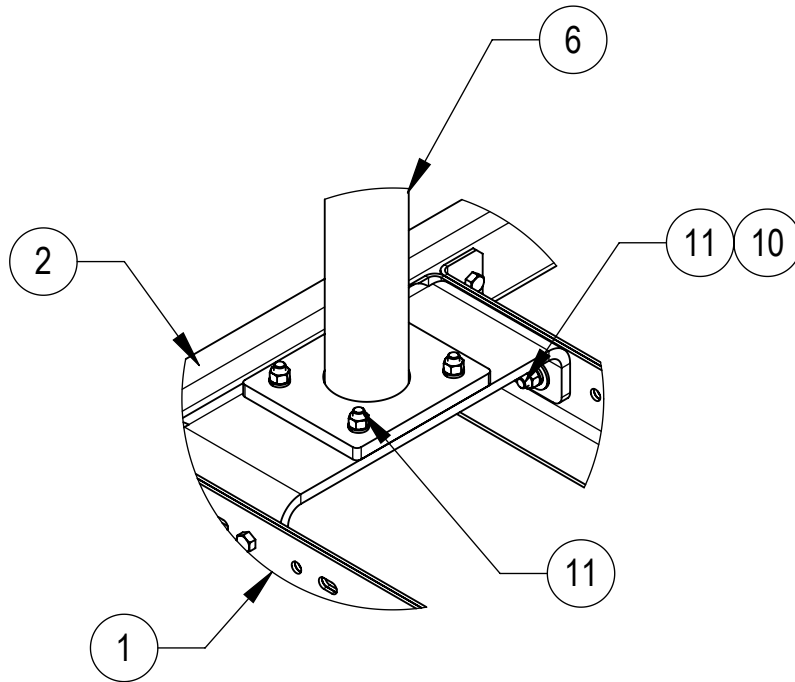
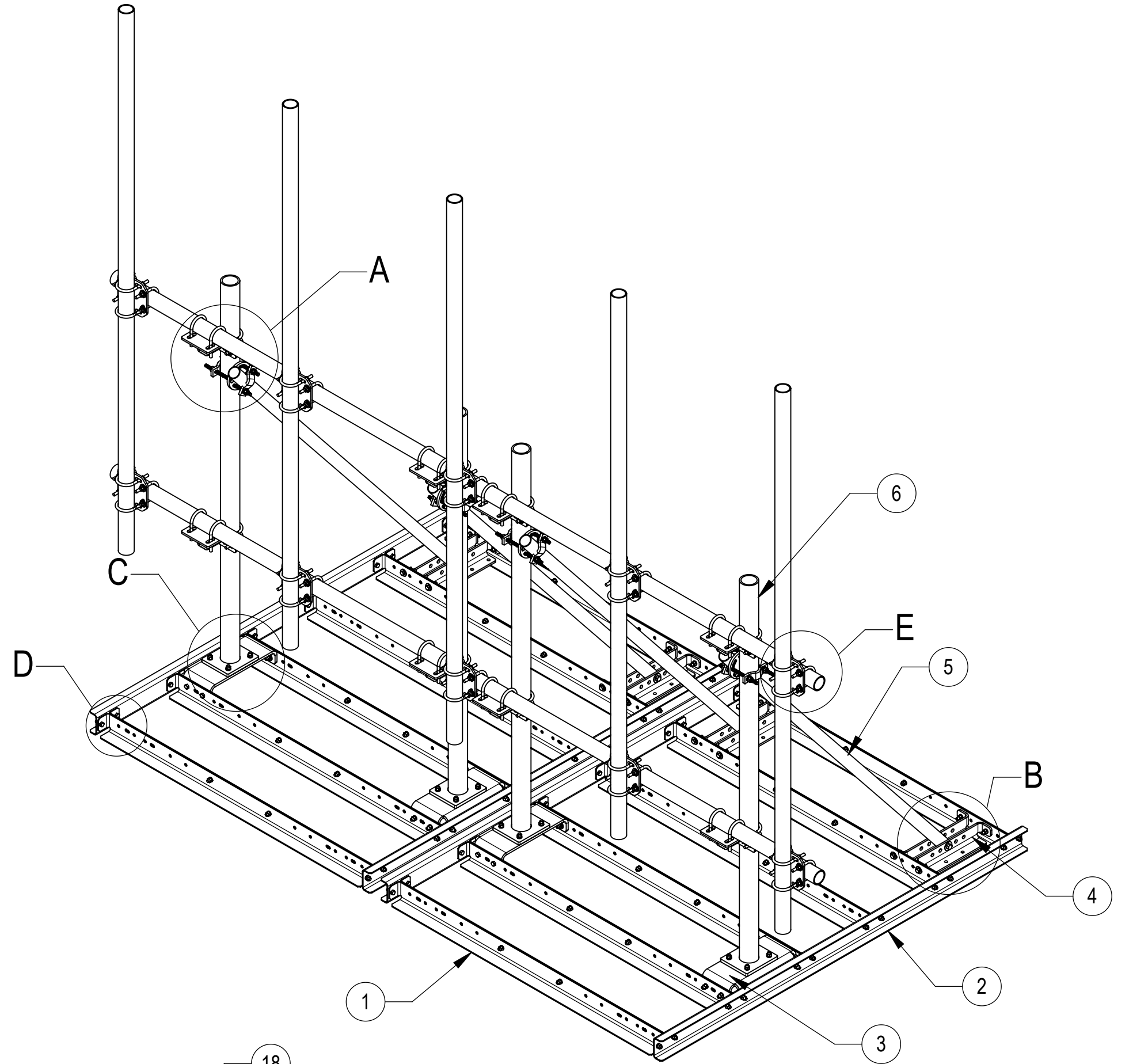
1



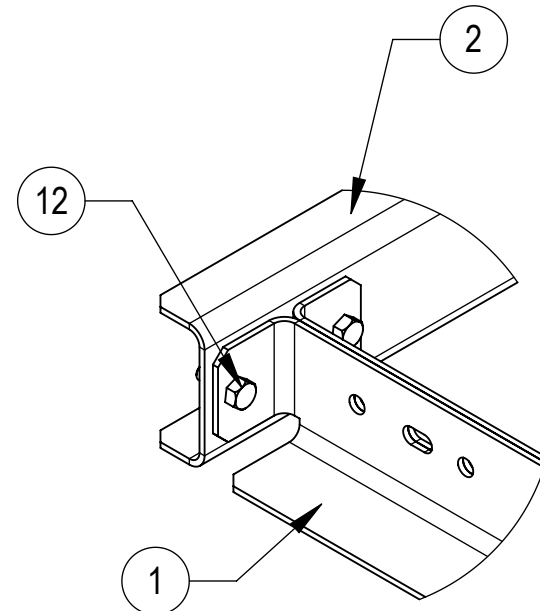
DETAIL A
SCALE 1 : 8



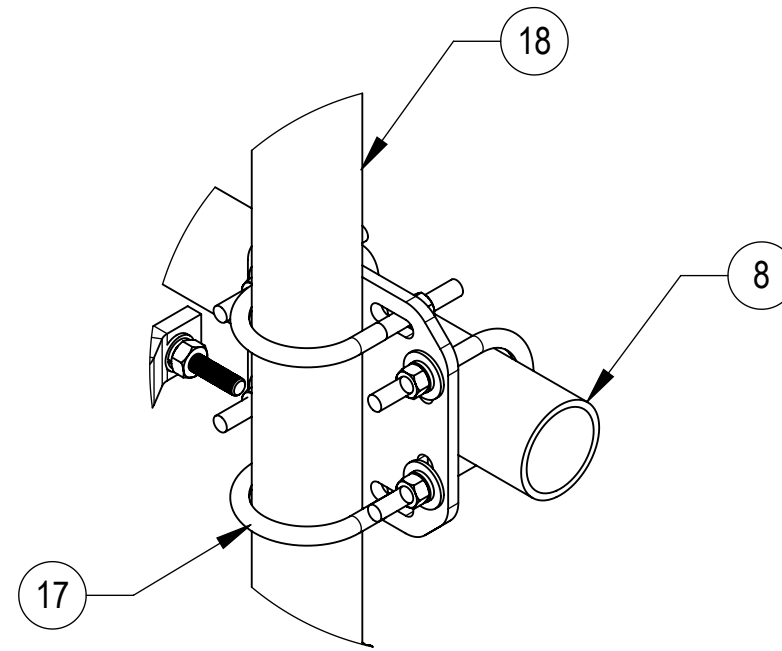
DETAIL B
SCALE 1 : 8



DETAIL C
SCALE 1 : 8



DETAIL D
SCALE 1 : 5



DETAIL E
SCALE 1 : 5

COMPONENT PART NUMBERS PROVIDED FOR ASSEMBLY PURPOSES;
INDIVIDUAL COMPONENTS MAY BE SHIPPED AS PARTS WITHIN AN INCLUDED KIT.

ITEM	PART NO.	DESCRIPTION	QTY.	WEIGHT	NOTE NO.
1	RTNF100-00	ANGLE, ROOF TOP TRAY	24	22.75 LBS	
2	RTNF102	CHANNEL, ROOF TOP TRAY SIDE	4	38.18 LBS	
3	RTNF103	BRACKET, ROOF TOP VERTICLE PIPE MTG	4	27.93 LBS	
4	RTNF107	BRACKET, ROOF TOP TIEBACK	8	9.45 LBS	
5	RTNF090-00	PIPE, ROOF TOP TIEBACK	4	21.53 LBS	
6	RTNF110	WELDMENT, ROOF TOP VERTICLE PIPE	4	79.04 LBS	
7	RTNF114	WELDMENT, FACE PIPE L BRACKET	8	8.96 LBS	
8	MT546180	2.875" O.D. X 180" PIPE	2	87.21 LBS	
9	XP-R	CROSSOVER PLATE, ROUND, UP TO 3.5" OD	4	6.20 LBS	
10	GWf-04	1/2" GALV FLAT WASHER	40	0.06 LBS	
11	GB-04205	1/2" X 2" GALV BOLT KIT	56	0.16 LBS	
12	GB-04125	1/2" X 1-1/4" GALV BOLT KIT	64	0.12 LBS	
13	GUB-4352	1/2" X 3" X 5-1/4" GALV U-BOLT	16	0.71 LBS	
14	GUB-4355	1/2" X 3-5/8" X 5" GALV U-BOLT	16	0.71 LBS	
15	GWf-05	5/8" GALV FLAT WASHER, 1.7OD	8	0.06 LBS	
16	GB-05505	5/8" X 5" GALV BOLT KIT	4	0.52 LBS	
17	XP-2525	CROSSOVER PLATE KIT, 2-7/8 OD X 2-7/8 OD	10	8.36 LBS	
18	MT546120	PIPE, 2.875"OD X 120"	5	57.45 LBS	

COMMSCOPE, INC. OF NORTH CAROLINA				
TITLE				
PIM-GUARD MOUNT, 15', BALLAST, W/4 PIPES				
SIZE	SCALE	DOCUMENT NO.		
C	1:24			
DRAWING		SHEET		
VERSION	STATUS	REVISION	2 OF 3	

4

3

2

1

D

D

C

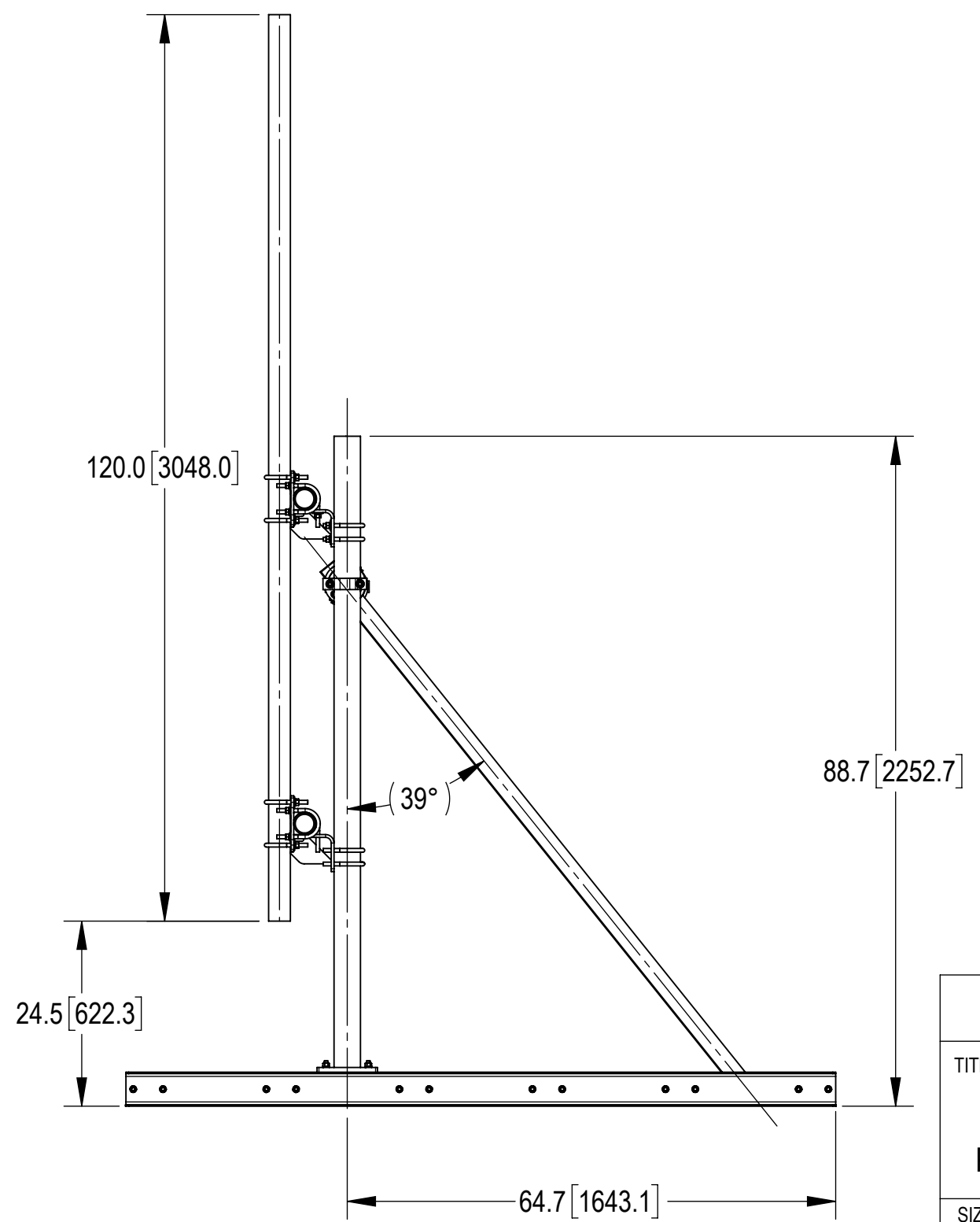
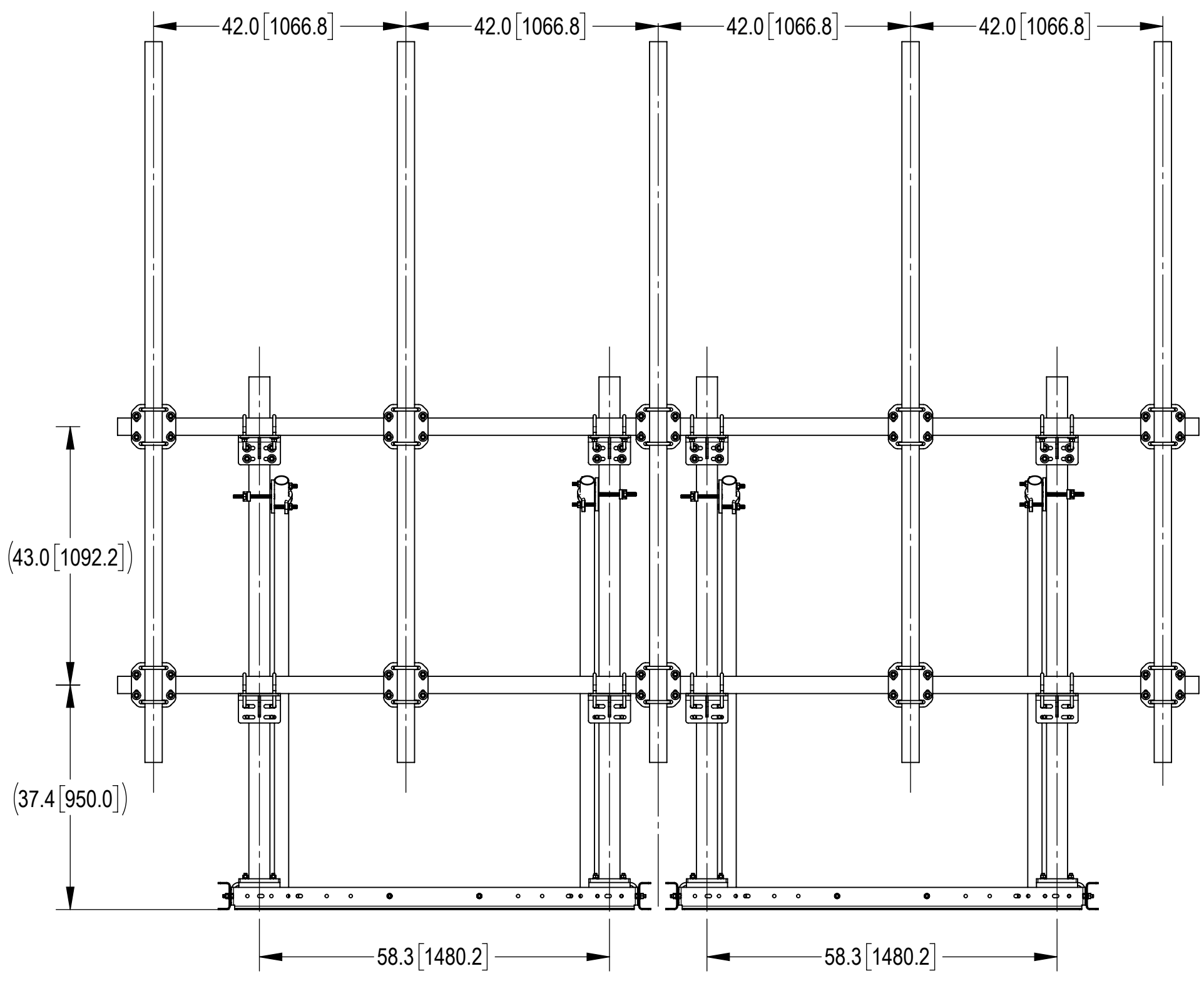
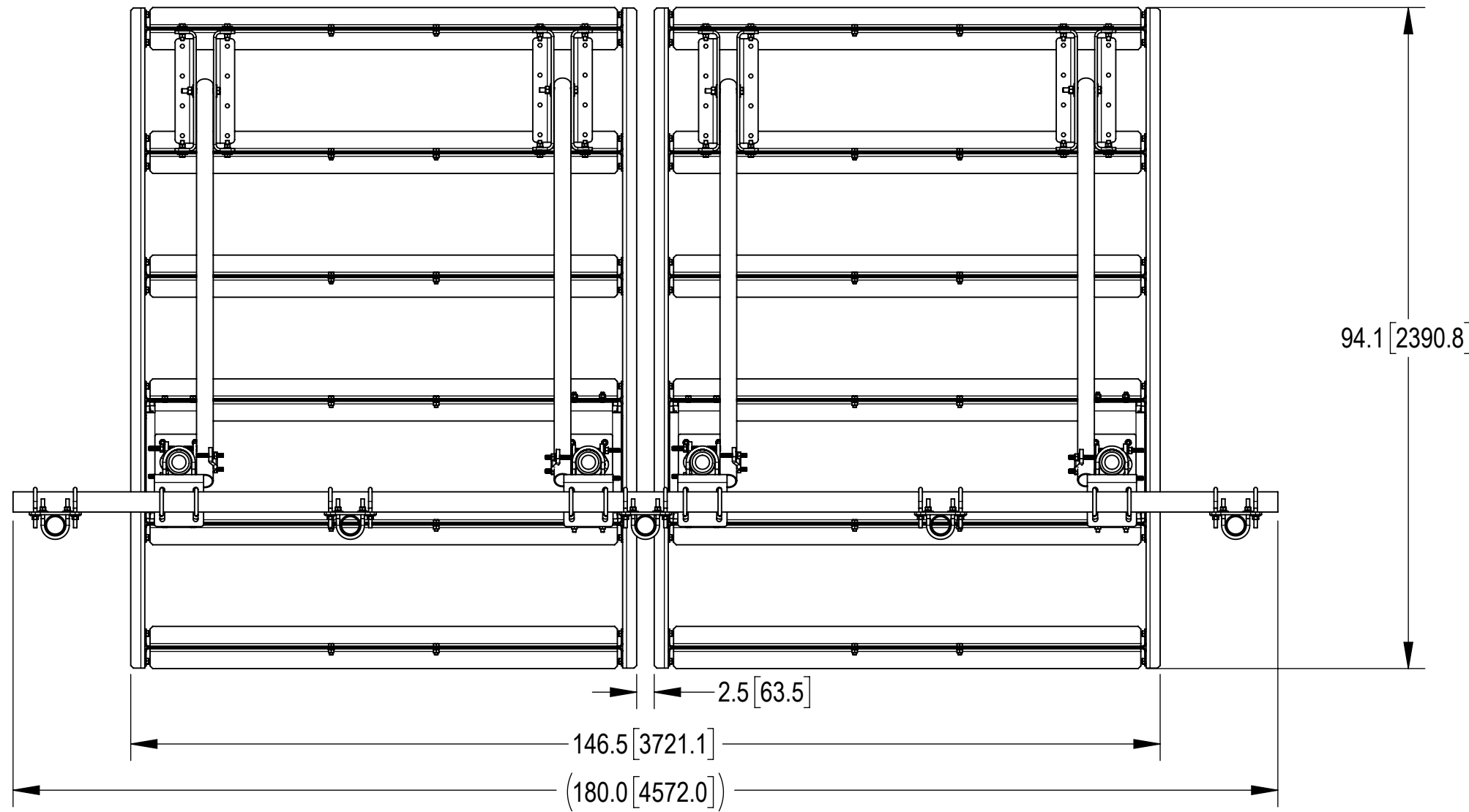
C

B

B

A

A



COMMSCOPE, INC. OF NORTH CAROLINA			
TITLE			
PIM-GUARD MOUNT, 15', BALLAST, W/4 PIPES			
SIZE	SCALE	DOCUMENT NO.	
C	1:24		
		DRAWING	
		VERSION	STATUS
		REVISION	SHEET
			3 OF 3

© 2024 CommScope, Inc. Confidential

4

3

2

1