

4

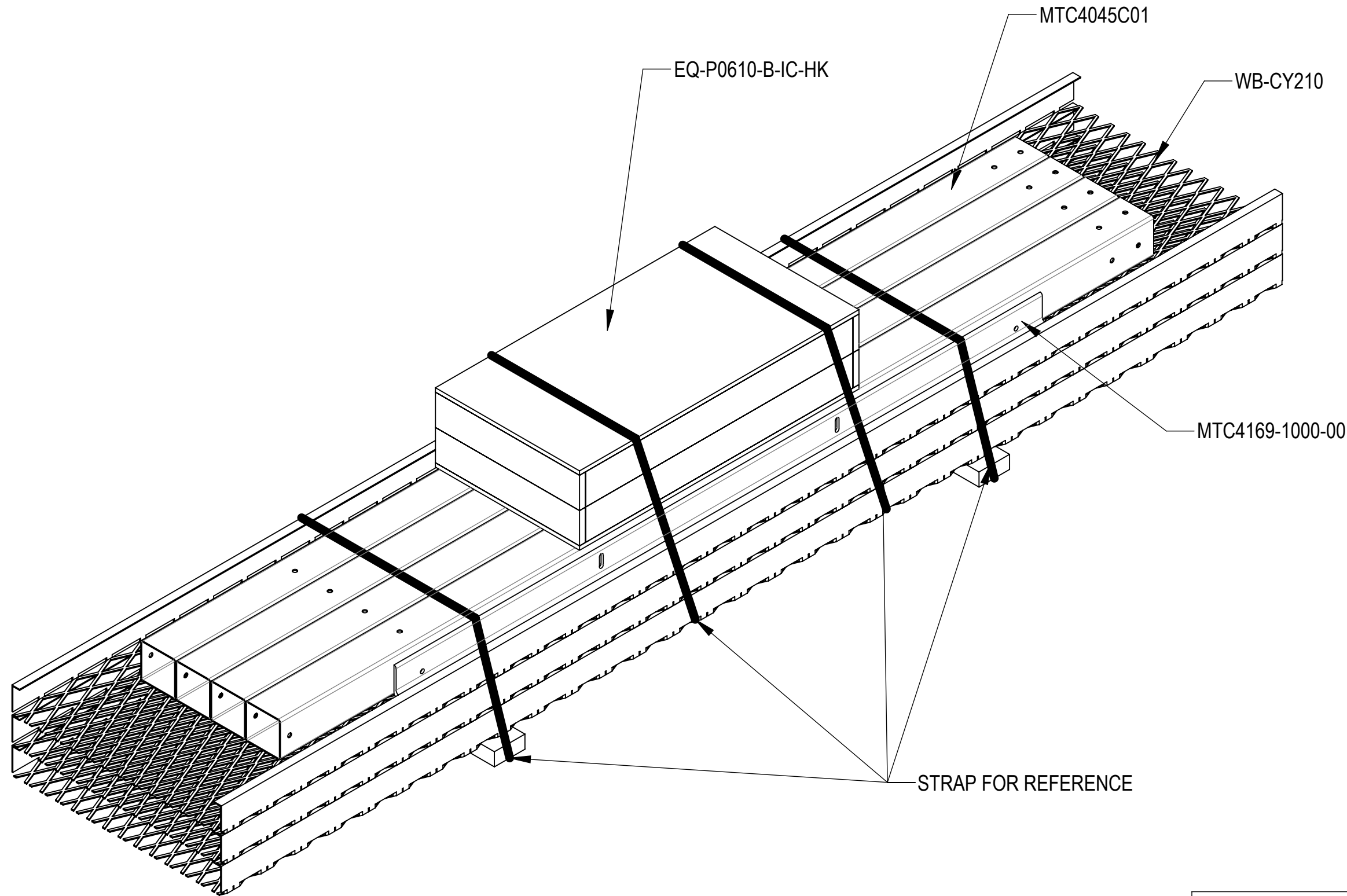
3

2

1

- 1.0 GENERAL NOTES
 1.1 ALL METRIC DIMENSIONS ARE IN BRACKETS [X. X]
 1.2 FOR PATENT INFO: <https://www.cs-pat.com>
- 2.0 DESIGN NOTES
 2.1 ANY HAZARDS OR OBSTRUCTIONS TO THE CLIMBING FACILITY AND SAFETY CLIMB MUST BE IDENTIFIED PRIOR TO INSTALLING THE APPURTENANCE. ADDITIONAL PRODUCTS MAY BE REQUIRED TO MAINTAIN THE INTEGRITY OF THE SAFETY CLIMB. DURING INSTALLATION, TEMPORARY AND/OR PERMANENT PRECAUTIONARY MEASURES SHOULD BE TAKEN TO PRESERVE THE CLIMBING FACILITY AND/OR SAFETY CLIMB.
- 3.0 MANUFACTURING/SPECIAL REQUIREMENTS
 3.1 TIGHTEN ALL BOLTS SECURING FLAT PLATES BY THE TURN-OF-NUT METHOD. TIGHTEN ALL U-BOLTS USING TURN-OF-NUT METHOD WITH ATTENTION TO LEAVE EQUAL DISTANCE AND EQUAL FORCE ON EACH LEG OF THE U-BOLT.
- 4.0 TEST
- 5.0 PACKAGING
 5.1 PACKAGING SHALL MEET COMMSCOPE REQUIREMENTS PER DOCUMENT IS-PL-3005
 5.2 PRINTED DOCUMENT TO BE PLACED INSIDE POLYBAG AND THEN IN SHIPPING CONTAINER
 5.3 EXTRA HARDWARE MAY BE SUPPLIED, BAGGED AND SHIPPED

REVISIONS			
REV.	DESCRIPTION	DATE	APPROVED
A	INITIAL RELEASE	LS1146 11MAR24	YW1047 40190982CMO



COMMSCOPE, INC. OF NORTH CAROLINA									
TOLERANCES					SAP MATERIAL MASTER				
1 PLACE .X[X] ± 0.2[6.3]			3 PLACE .XXX[X] ± 0.060[1.5]			EQ-P0610-B-IC-P			
2 PLACE .XX[X] ± 0.12[3.0]			ANGLES ± 2°						
FINISH					MATERIAL				
ICE CANOPY FOR EQ-P0610-B									
UNLESS OTHERWISE SPECIFIED DIMENSIONS ARE IN INCHES INTERPRET PER ANSI Y 14.5M-1994		CE	LS1146	11MAY24	SCALE: 1:24 DOCUMENT NO. EQ-P0610-B-IC-P				
		RW	LS1146	03/11/2024					
		AD	YW1047	03/12/2024					
		RE	YMENG	03/13/2024					
		ECN 40190982CMO							
SIZE	Auth Group	INSL	MODEL			DRAWING			SHEET
C			VERSION	STATUS	REVISION	VERSION	STATUS	REVISION	1 OF 4
			00	RE	A	00	RE	A	

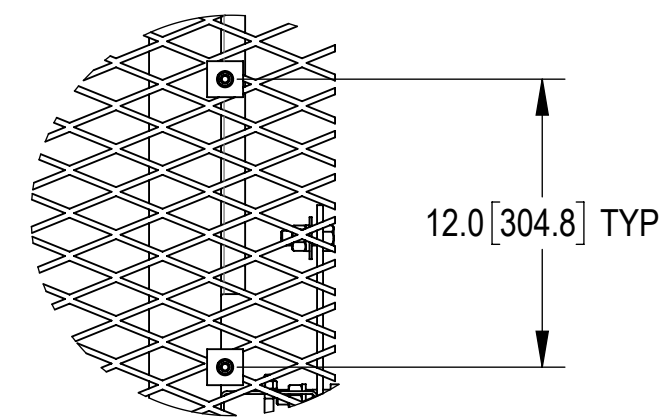
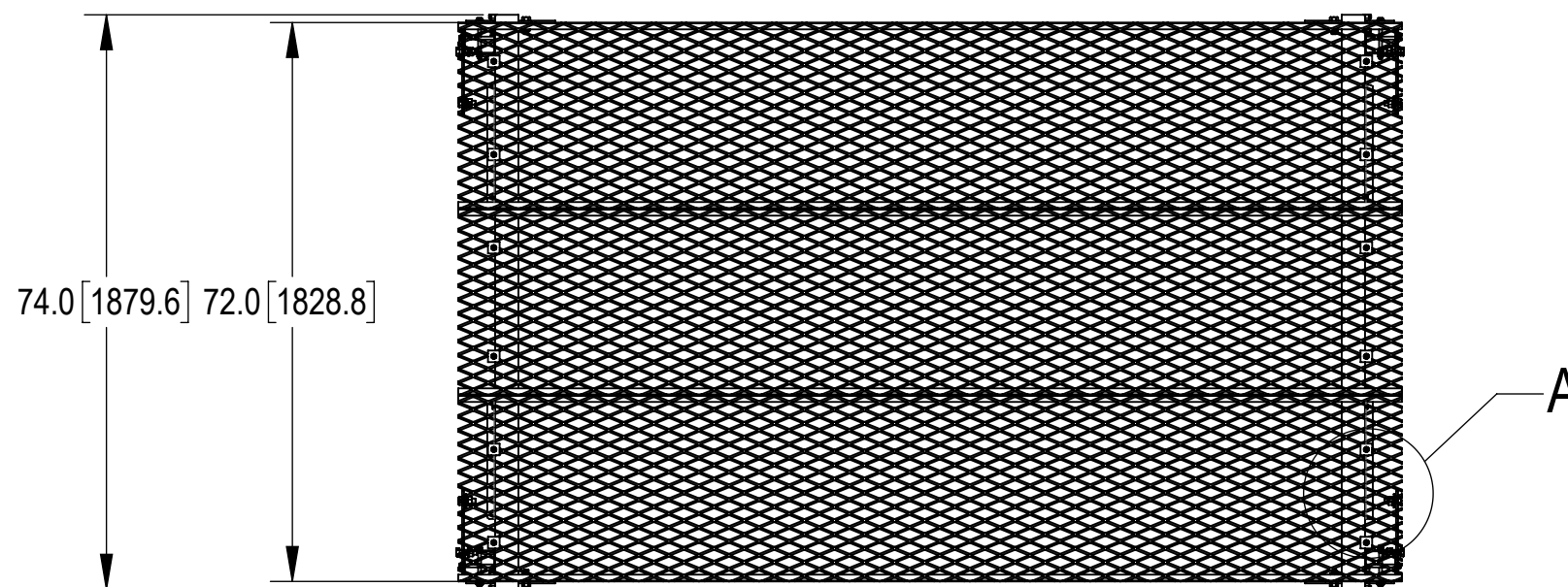
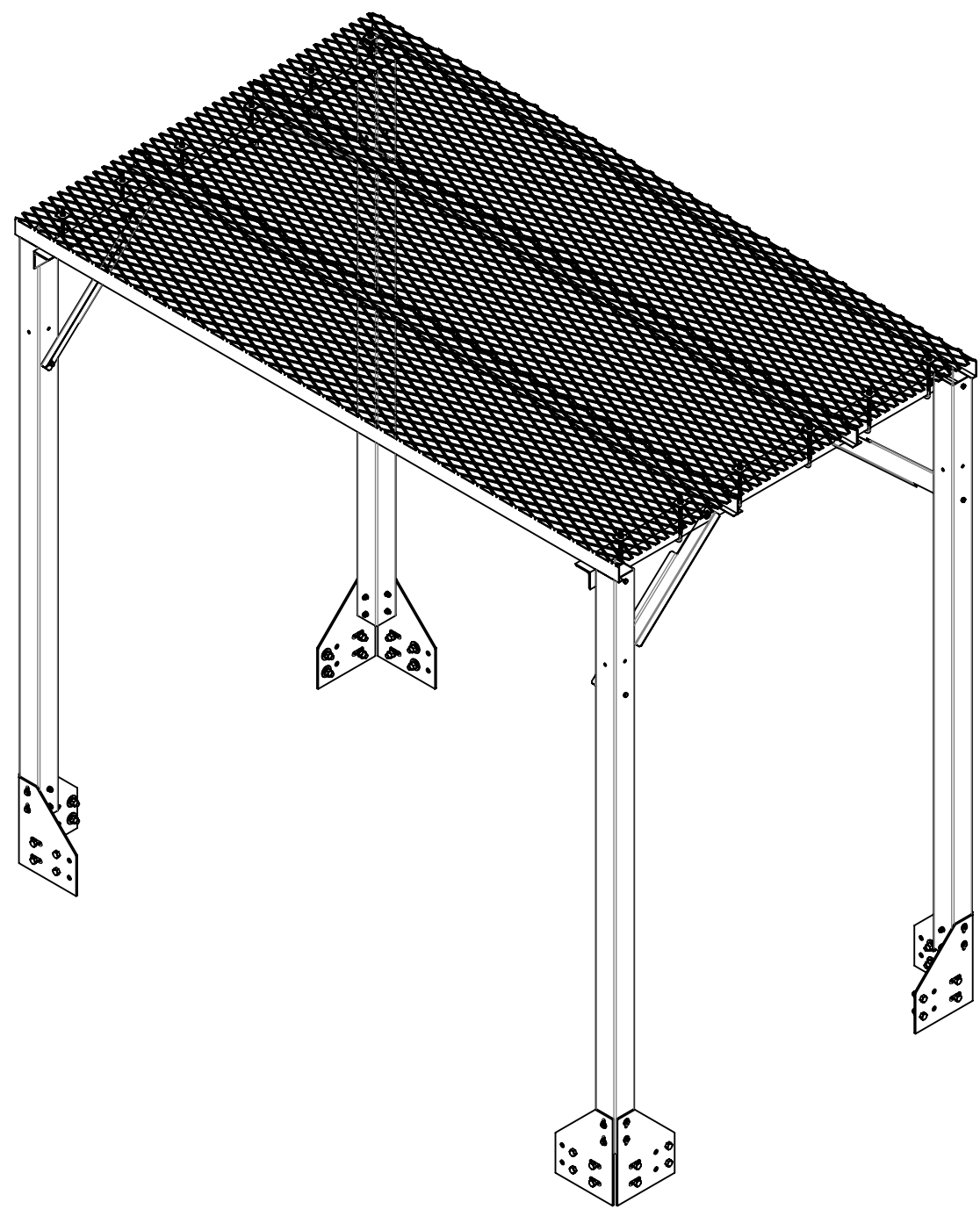
DENSITY		lbs/in ³
MASS	530.81	lbs
VOLUME	1876.48	in ³
SURFACE AREA	30494.85	in ²
HEIGHT	74.0"	
LENGTH	120.2"	
WIDTH	72.2"	

4

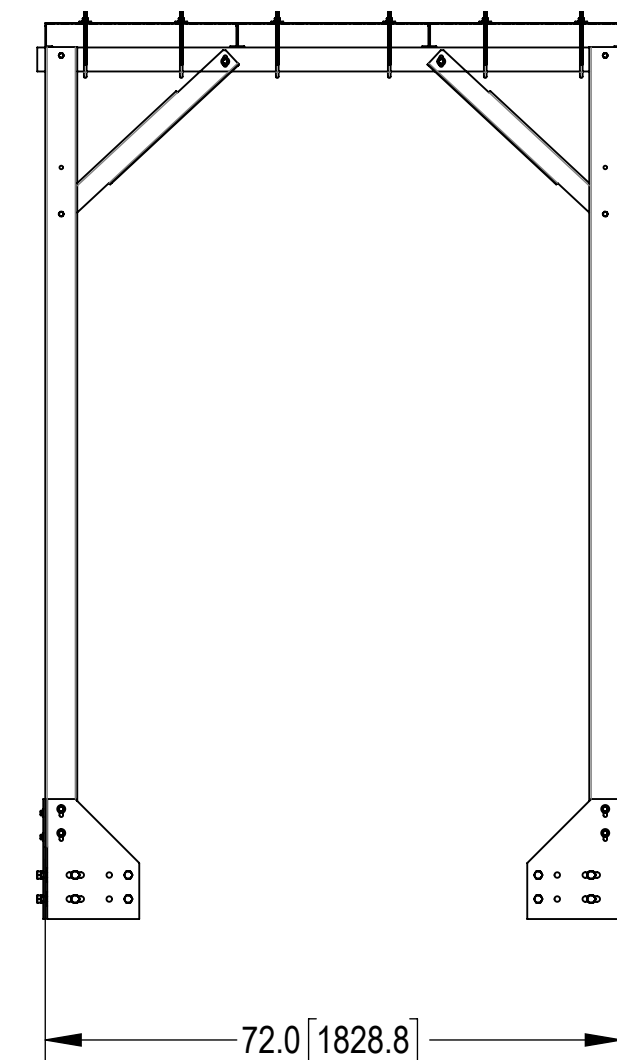
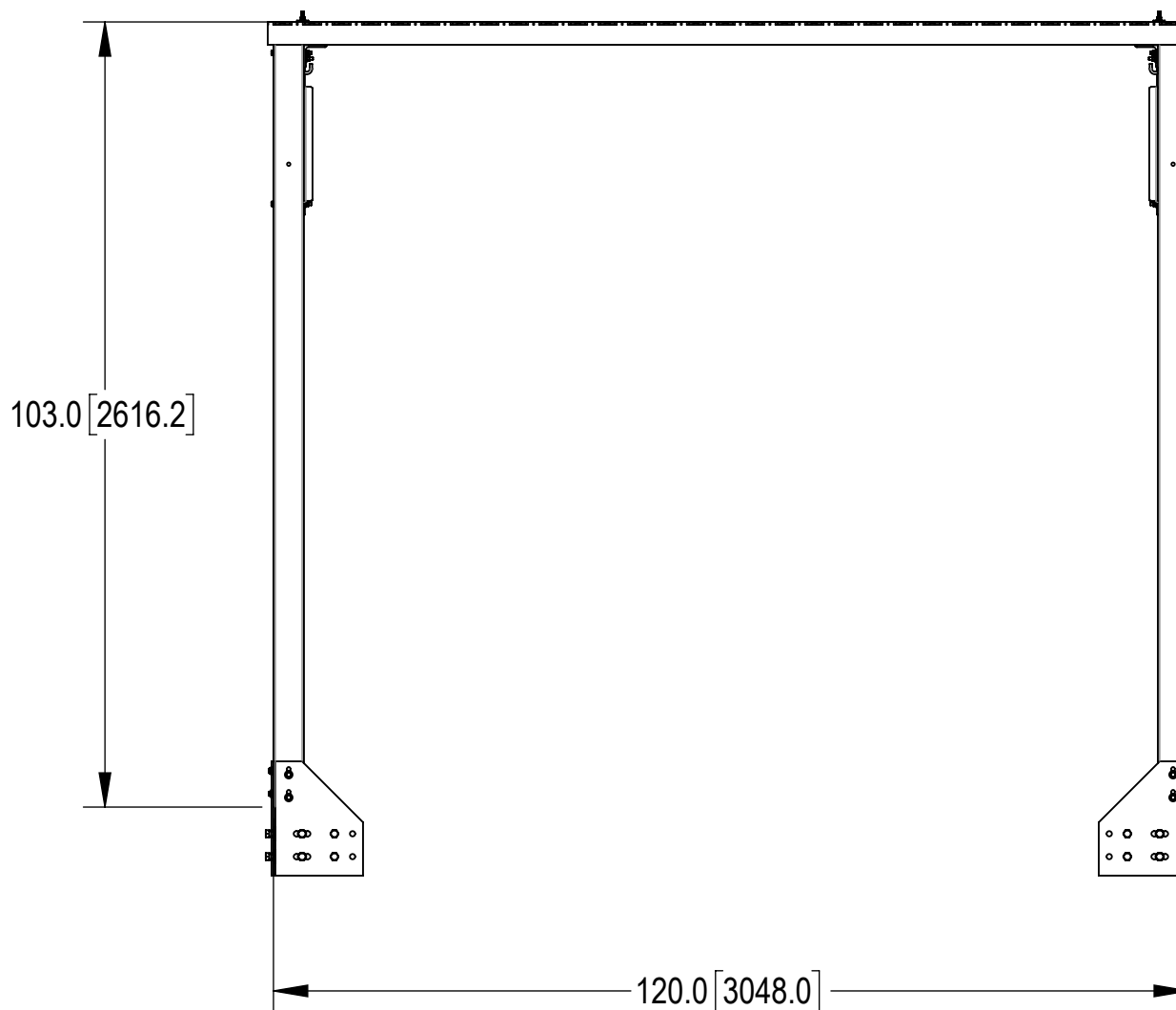
3

2

1



DETAIL A
SCALE 1 : 8



COMPONENT PART NUMBERS PROVIDED FOR ASSEMBLY PURPOSES;
INDIVIDUAL COMPONENTS MAY BE SHIPPED AS PARTS WITHIN AN INCLUDED KIT.

ITEM NO.	PART NUMBER	DESCRIPTION	QTY.	WEIGHT
1	WB-CY210	SAFETY GRATED WAVEGUIDE BRIDGE CHANNEL	3	49.84 LBS
2	MTC4045C01	POST, 4 X 4 VERTICAL	4	51.35 LBS
3	MTC4169-1000-00	6' ICE SHIELD SUPPORT BRACKET	2	29.94 LBS
4	MTC3813C14	CANOPY BRACE, 11 GA, 30"	4	4.18 LBS
5	GJB0380	8" GALV J-BOLT KIT	12	0.23 LBS
6	MT-387	SQUARE WASHER 1-1/2"X1-1/2" W/ 7/16 HOLE	12	0.11 LBS
7	MTC4169-2000-00	PLATE, CANOPY LEG SUPPORT	8	9.59 LBS
8	GB-03505	3/8" X 5" GALV BOLT KIT	24	0.17 LBS
9	GB-03125	3/8" X 1-1/4" GALV BOLT KIT	4	0.06 LBS
10	GB-05165	5/8" X 1-3/4" GALV BOLT KIT	16	0.24 LBS
11	GWF-03	3/8" GALV FLAT WASHER	28	0.01 LBS
12	GWF-05	5/8" GALV FLAT WASHER, 1.70D	16	0.06 LBS
13	GN-03	3/8" GALV HEX NUT	12	0.00 LBS
14	GWL-03	3/8" GALV LOCK WASHER	12	0.01 LBS
15	GB-05225	5/8" X 2-1/4" GALV BOLT KIT	16	0.28 LBS

COMMSCOPE, INC. OF NORTH CAROLINA				
TITLE ICE CANOPY FOR EQ-P0610-B				
SIZE C	SCALE 1:24	DOCUMENT NO. EQ-P0610-B-IC-P		
DRAWING		VERSION	STATUS	REVISION
		00	RE	A
				SHEET 2 OF 4

4

3

2

1

D

D

C

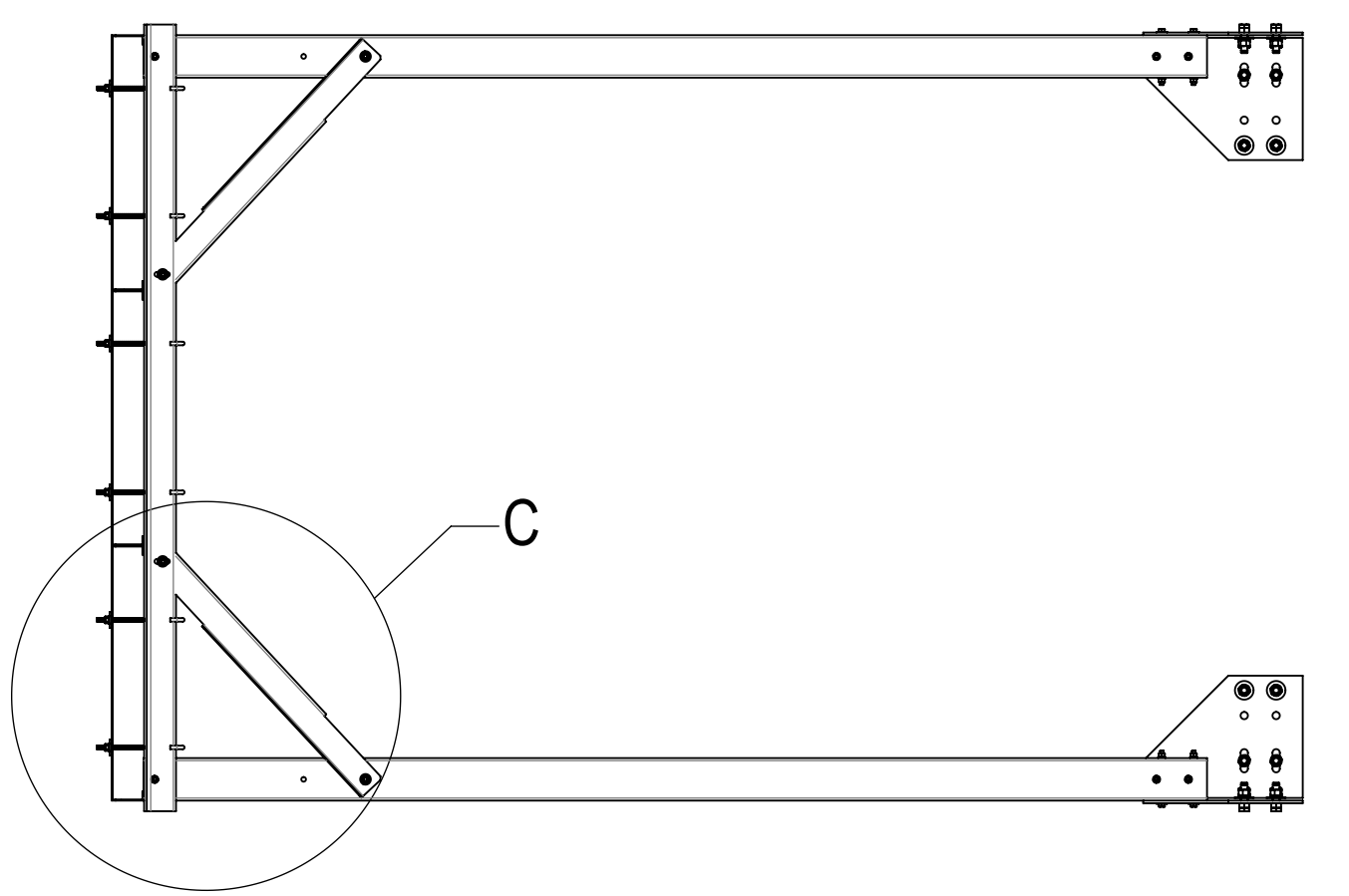
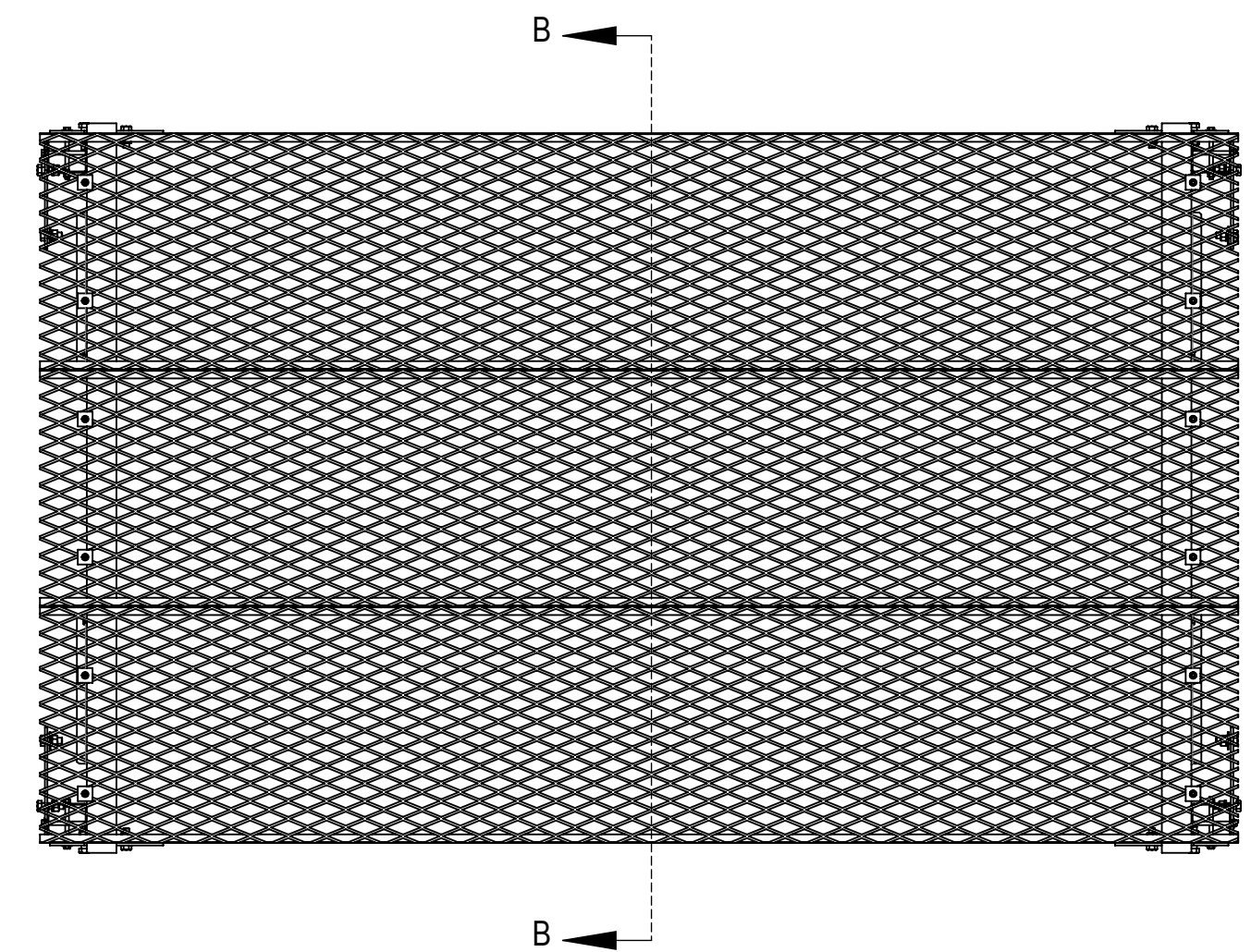
C

B

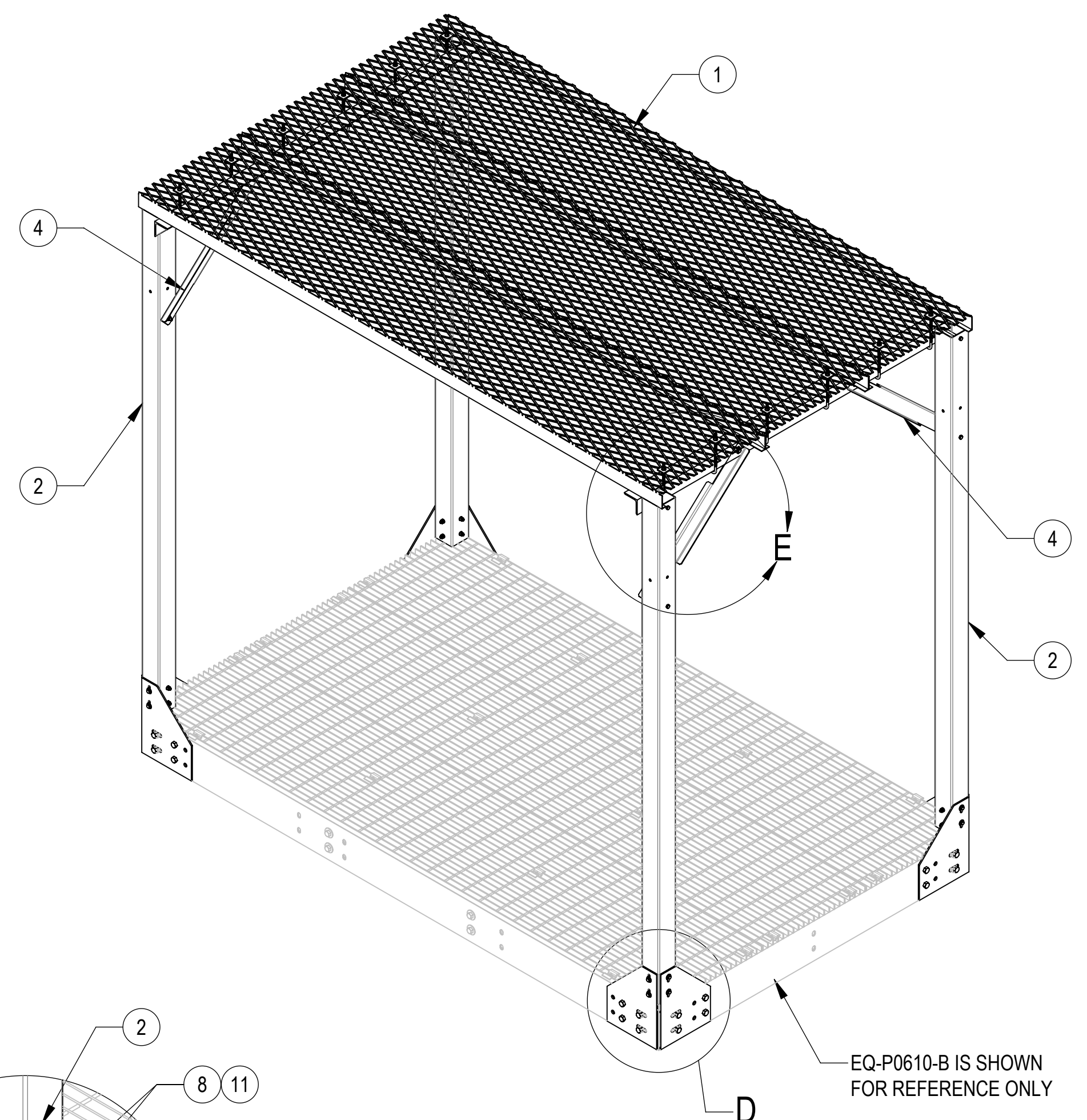
B

A

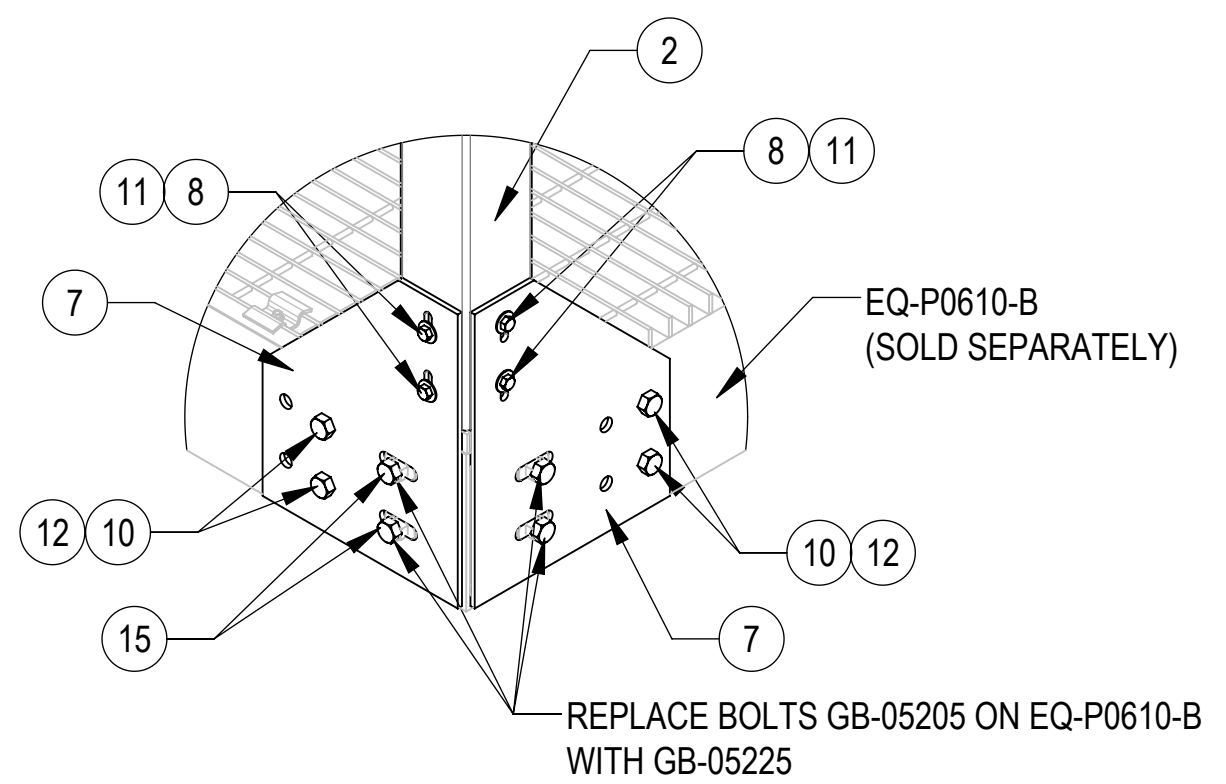
A



SECTION B-B
SCALE 1 : 18



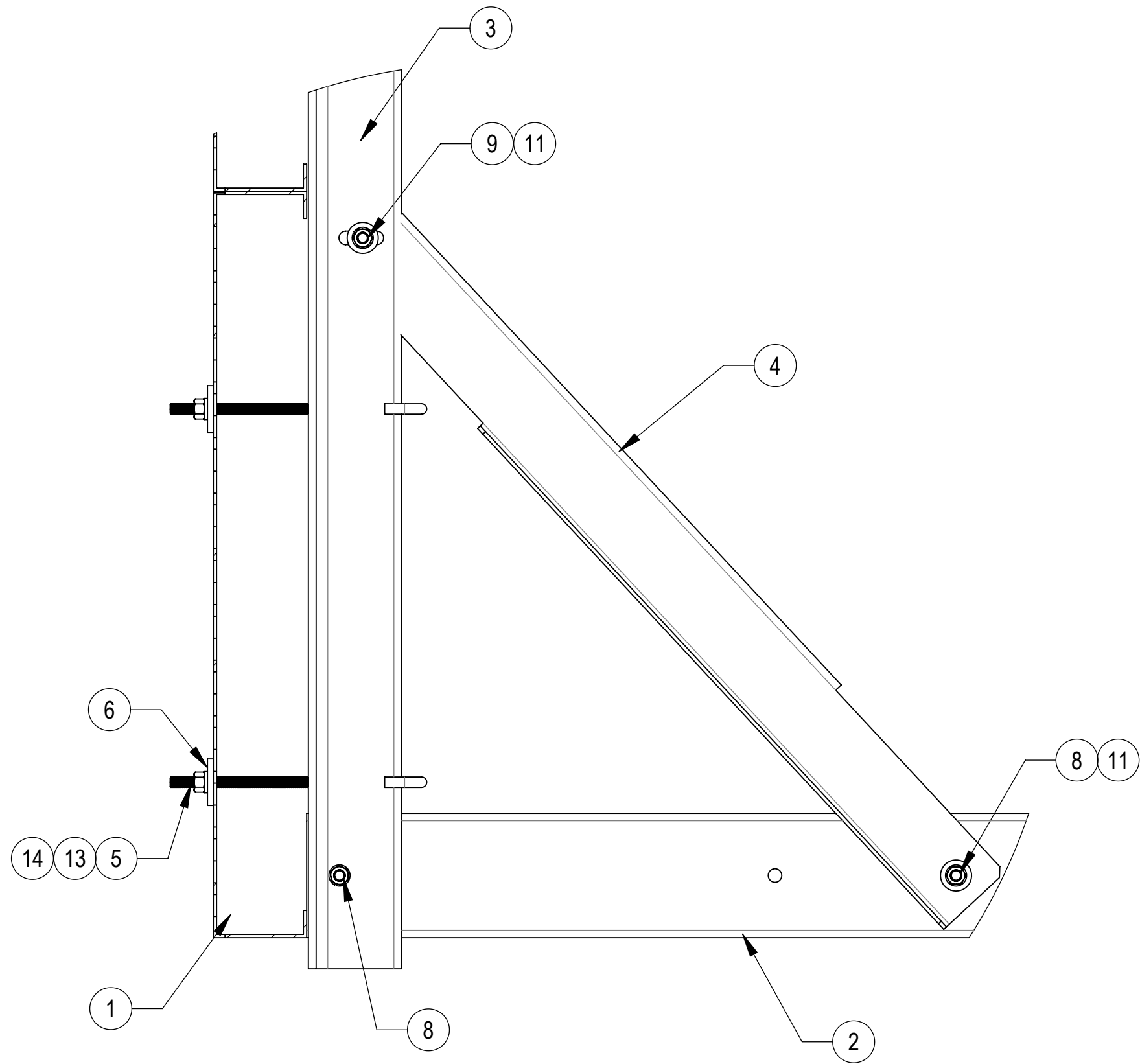
EQ-P0610-B IS SHOWN FOR REFERENCE ONLY



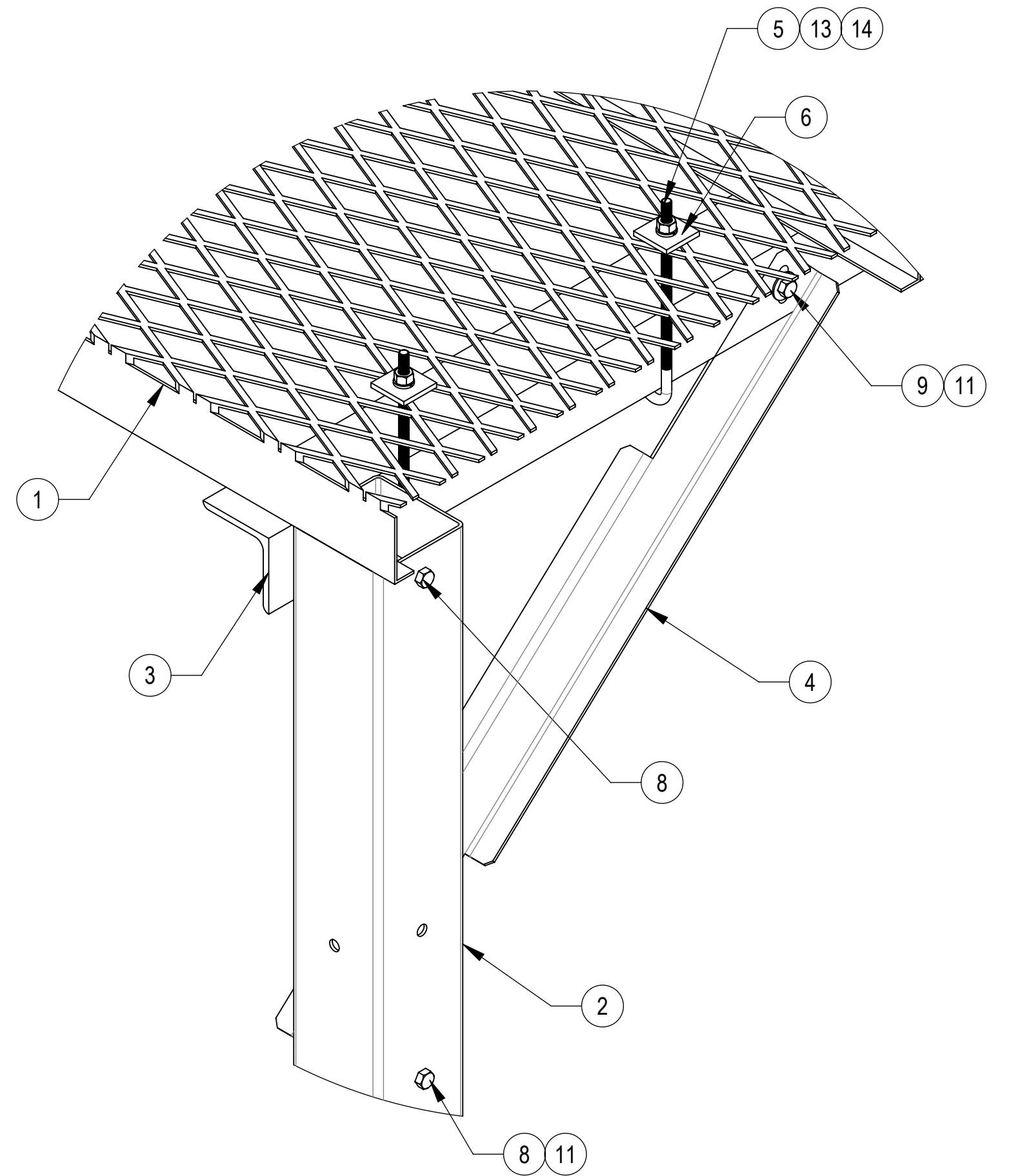
REPLACE BOLTS GB-05205 ON EQ-P0610-B WITH GB-05225

DETAIL D
SCALE 1 : 8
(4 PLACES)

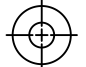
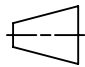
COMMSCOPE, INC. OF NORTH CAROLINA				
TITLE ICE CANOPY FOR EQ-P0610-B				
SIZE C	SCALE 1:24	DOCUMENT NO. EQ-P0610-B-IC-P		
		DRAWING		SHEET
		VERSION	STATUS	REVISION
		00	RE	A
				3 OF 4



DETAIL C
SCALE 1 : 4



DETAIL E
SCALE 1 : 4

COMMSCOPE, INC. OF NORTH CAROLINA					
TITLE ICE CANOPY FOR EQ-P0610-B					
SIZE C	SCALE 1:24	DOCUMENT NO. EQ-P0610-B-IC-P			
 		DRAWING			SHEET 4 OF 4
		VERSION 00	STATUS RE	REVISION A	