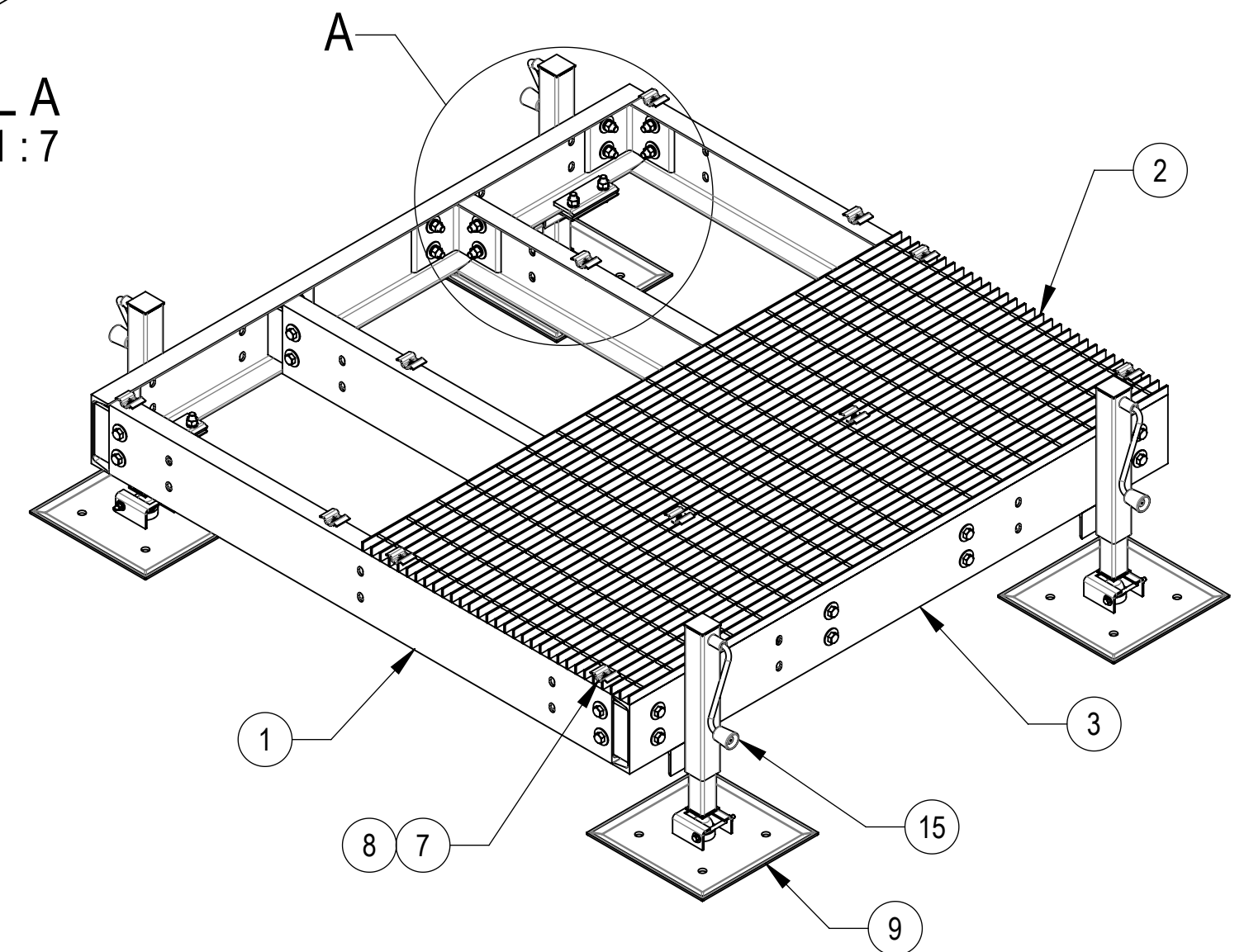
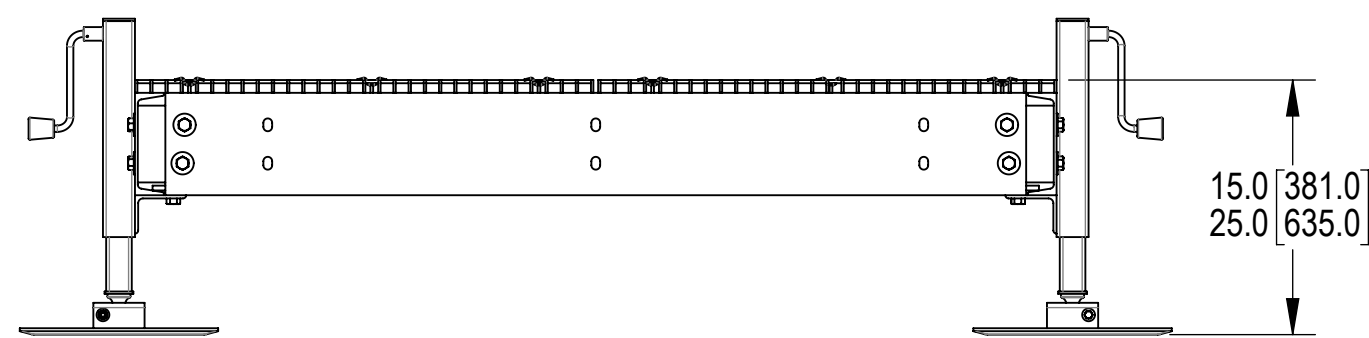
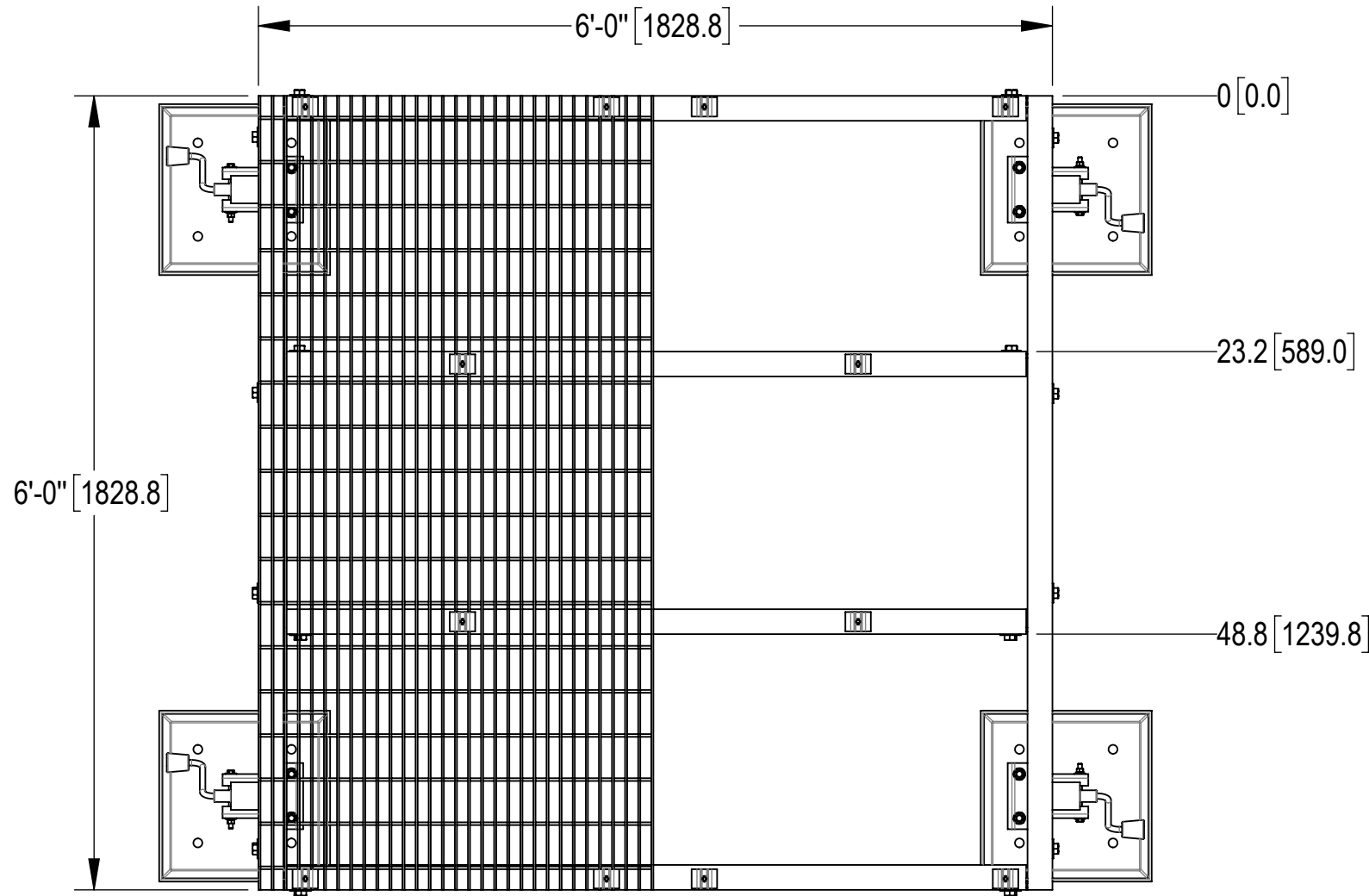
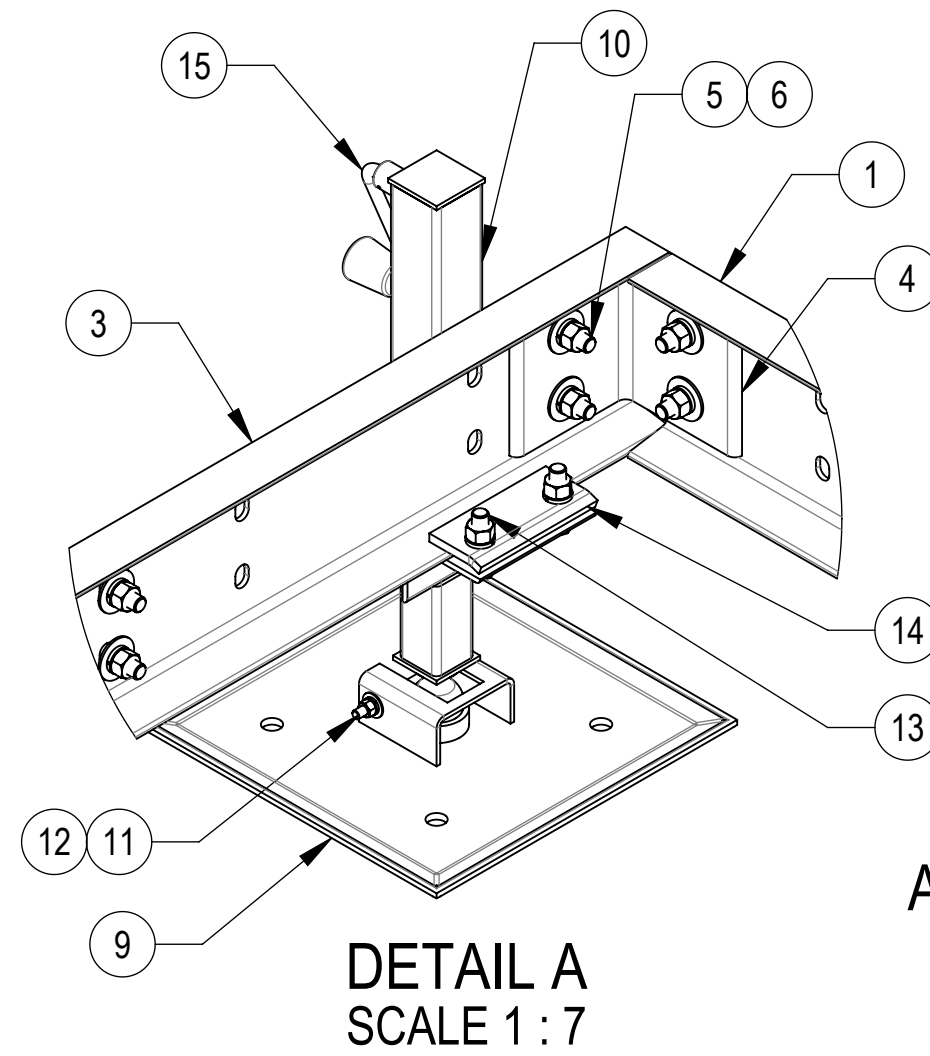


- 1.0 GENERAL NOTES
- 1.1 ALL METRIC DIMENSIONS ARE IN BRACKETS [X.X]
- 1.2 FOR PATENT INFO: <https://www.cs-pat.com>
- 2.0 DESIGN NOTES
- 3.0 MANUFACTURING/SPECIAL REQUIREMENTS
- 3.1 TIGHTEN ALL BOLTS SECURING FLAT PLATES BY THE TURN-OF-NUT METHOD. TIGHTEN ALL U-BOLTS USING TURN-OF-NUT METHOD WITH ATTENTION TO LEAVE EQUAL DISTANCE AND EQUAL FORCE ON EACH LEG OF THE U-BOLT.
- 3.2 BAR GRATING ALIGNED ACROSS CENTER CHANNELS.
- 4.0 TEST
- 5.0 PACKAGING
- 5.1 PACKAGING SHALL MEET COMMSCOPE REQUIREMENTS PER DOCUMENT IS-PL-3005
- 5.2 PRINTED DOCUMENT TO BE PLACED INSIDE POLYBAG AND THEN IN SHIPPING CONTAINER
- 5.3 EXTRA HARDWARE MAY BE SUPPLIED, BAGGED AND SHIPPED

REVISIONS			
REV.	DESCRIPTION	DATE	APPROVED
A	INITIAL RELEASE	MSB 05/16/11	
B	UPDATE WEIGHT	MSB 05/17/2011	
C	UPDATED DRAWING TO NEW FORMAT	RY1002 05MAR24	BCROSS 40190410CMO



COMPONENT PART NUMBERS PROVIDED FOR ASSEMBLY PURPOSES;
INDIVIDUAL COMPONENTS MAY BE SHIPPED AS PARTS WITHIN AN INCLUDED KIT.

ITEM	PART NO.	DESCRIPTION	QTY.	WEIGHT	NOTE NO.
1	MTC8822061001	CENTER CHANNEL	4	63.61 LBS	
2	MTC7902060602	36" X 72" BAR GRATING	2	126.53 LBS	
3	MTC7902060603	6' SIDE CHANNEL	2	67.91 LBS	
4	MTC790203	CHANNEL ADAPTER ANGLE	8	7.07 LBS	
5	GB-05205	5/8" X 2" GALV BOLT KIT	32	0.26 LBS	
6	GWF-05	5/8" GALV FLAT WASHER, 1.7OD	64	0.06 LBS	
7	MTC390324	BAR GRATING CLIP	12	0.17 LBS	
8	TS1220	12-24 X 2" SELF DRILLING SCREW	12	0.03 LBS	
9	MTC7902AL04	PIVOTING FOOT FOR ADJUSTABLE LEG	4	21.30 LBS	
10	MTC7902AL05	ADJUSTABLE LEG SUB ASSEMBLY	4	17.16 LBS	
11	GB-03505	3/8" X 5" GALV BOLT KIT	4	0.17 LBS	
12	GWF-03	3/8" GALV FLAT WASHER	8	0.01 LBS	
13	GB-0522A	5/8" X 2-1/4" GALV BOLT KIT (A325)	8	0.28 LBS	
14	MTC7902AL07	PINCH PLATE	4	1.60 LBS	
15	EQPALC	CRANK	4	1.33 LBS	

HIDE BAR GRATING FOR CLARITY

COMMSCOPE, INC. OF NORTH CAROLINA

TOLERANCES		SAP MATERIAL MASTER	
1 PLACE .X[X] ± 0.12[3.0]	3 PLACE .XXX[X] ± 0.030[0.8]	EQ-P0606-AL	
2 PLACE .XX[X] ± 0.06[1.5]	ANGLES ± 2°		
FINISH		MATERIAL	
UNLESS OTHERWISE SPECIFIED DIMENSIONS ARE IN INCHES INTERPRET PER ANSI Y 14.5M-1994		TITLE	
CE	ACG	DATE	02/17/06
RW	RY1002	DATE	03/10/2024
AD	YMENG	DATE	03/10/2024
RE	YMENG	DATE	03/20/2024
ECN 40190410CMO		SCALE	DOCUMENT NO.
		1:15	EQ-P0606-AL
SIZE	Auth Group	INSL	MODEL
C			
VERSION		STATUS	REVISION
00		RE	A
DRAWING		VERSION	STATUS
		00	RE
REVISION		REVISION	
		C	
SHEET			1 OF 1

DENSITY	941.64	lbs/in ³
MASS	3176.66	lbs
VOLUME	28934.78	in ³
SURFACE AREA		in ²
HEIGHT	25"	
LENGTH	90"	
WIDTH	72"	