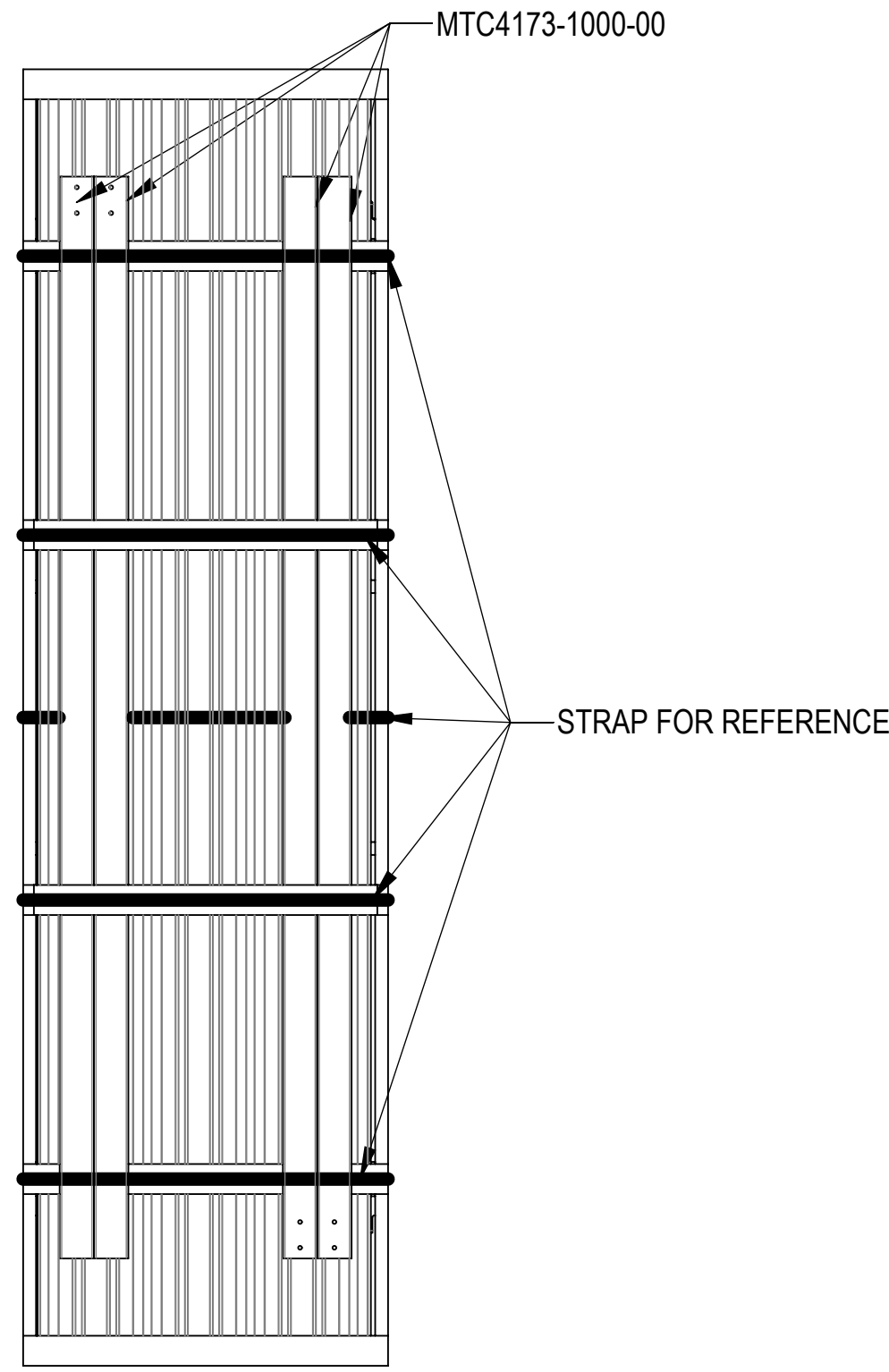
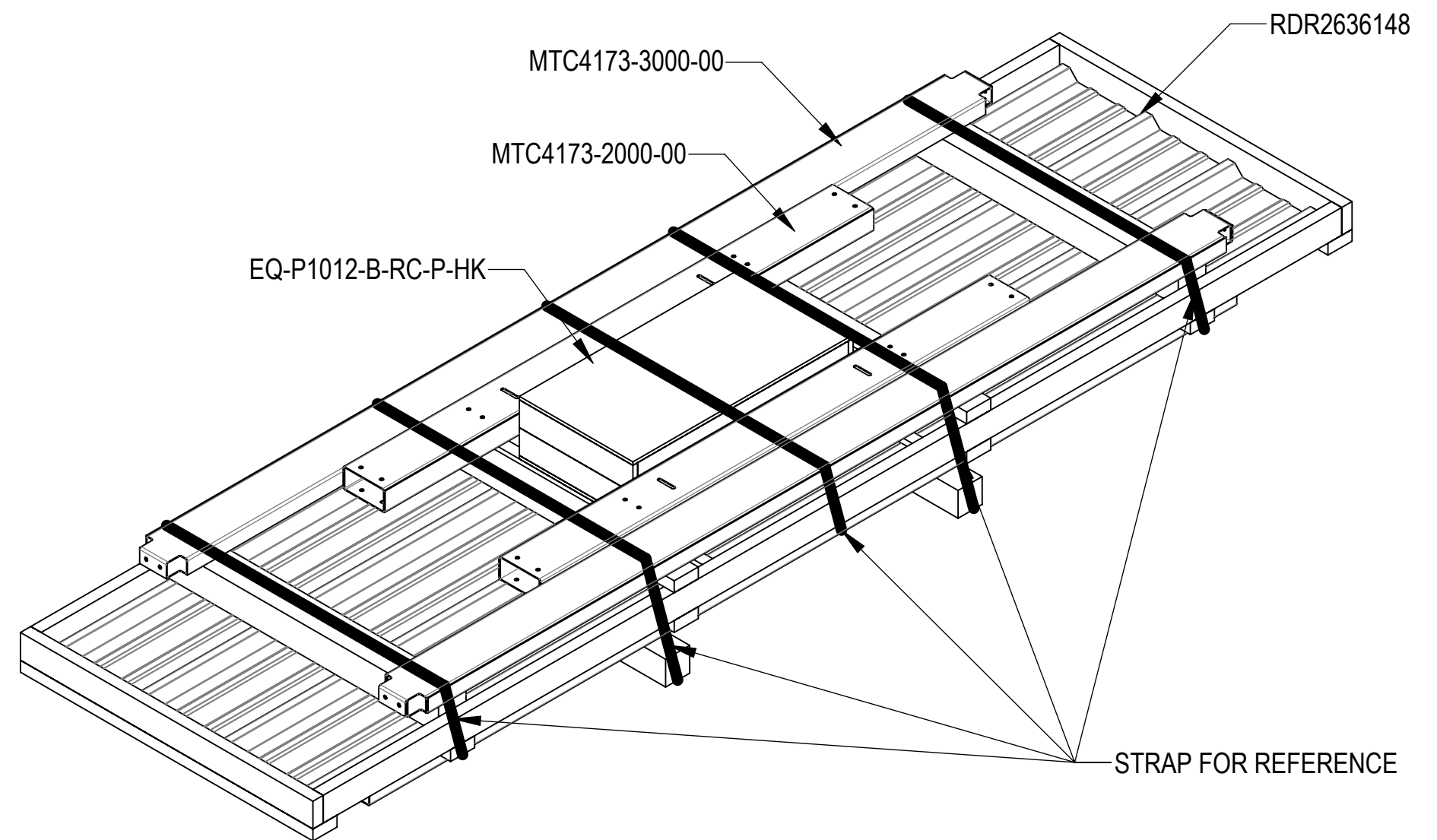


- 1.0 GENERAL NOTES
  - 1.1 ALL METRIC DIMENSIONS ARE IN BRACKETS [X.X]
  - 1.2 FOR PATENT INFO: <https://www.cs-pat.com>
- 2.0 DESIGN NOTES
  - 2.1 ANY HAZARDS OR OBSTRUCTIONS TO THE CLIMBING FACILITY AND SAFETY CLIMB MUST BE IDENTIFIED PRIOR TO INSTALLING THE APPURTENANCE. ADDITIONAL PRODUCTS MAY BE REQUIRED TO MAINTAIN THE INTEGRITY OF THE SAFETY CLIMB. DURING INSTALLATION, TEMPORARY AND/OR PERMANENT PRECAUTIONARY MEASURES SHOULD BE TAKEN TO PRESERVE THE CLIMBING FACILITY AND/OR SAFETY CLIMB.
- 3.0 MANUFACTURING/SPECIAL REQUIREMENTS
  - 3.1 TIGHTEN ALL BOLTS SECURING FLAT PLATES BY THE TURN-OF-NUT METHOD. TIGHTEN ALL U-BOLTS USING TURN-OF-NUT METHOD WITH ATTENTION TO LEAVE EQUAL DISTANCE AND EQUAL FORCE ON EACH LEG OF THE U-BOLT.
- 4.0 TEST
- 5.0 PACKAGING
  - 5.1 PACKAGING SHALL MEET COMMSCOPE REQUIREMENTS PER DOCUMENT IS-PL-3005
  - 5.2 PRINTED DOCUMENT TO BE PLACED INSIDE POLYBAG AND THEN IN SHIPPING CONTAINER
  - 5.3 EXTRA HARDWARE MAY BE SUPPLIED, BAGGED AND SHIPPED

REVISIONS			
REV.	DESCRIPTION	DATE	APPROVED
A	INITIAL RELEASE	YMENG 07MAR24	YW1047 40190786CMO



BOTTOM VIEW



PACKAGE

DENSITY		lbs/in <sup>3</sup>
MASS	828.85	lbs
VOLUME	2928.41	in <sup>3</sup>
SURFACE AREA	87244.32	in <sup>2</sup>
HEIGHT	139.8"	
LENGTH	125.6"	
WIDTH	148.0"	

<b>COMMSCOPE, INC. OF NORTH CAROLINA</b>									
TOLERANCES					SAP MATERIAL MASTER				
1 PLACE .X[X] ± 0.2[6.3]			3 PLACE .XXX[X] ± 0.060[1.5]		<b>EQ-P1012-B-RC-P</b>				
2 PLACE .XX[X] ± 0.12[3.0]			ANGLES ± 2°						
FINISH					MATERIAL				
UNLESS OTHERWISE SPECIFIED DIMENSIONS ARE IN INCHES INTERPRET PER ANSI Y 14.5M-1994	CE	YMENG	07MAR24	<b>10'X12' RAIN CANOPY, ON EQ. PLATFORM</b>					
	RW	YMENG	03/13/2024						
	AD								
	RE								
	ECN	40190786CMO							
SCALE		DOCUMENT NO.			<b>EQ-P1012-B-RC-P</b>				
1:24									
SIZE	Auth Group	INSL	MODEL			DRAWING			SHEET
<b>C</b>			VERSION	STATUS	REVISION	VERSION	STATUS	REVISION	1 OF 4
			00	RW	A	00	RW	A	

4

3

2

1

D

D

C

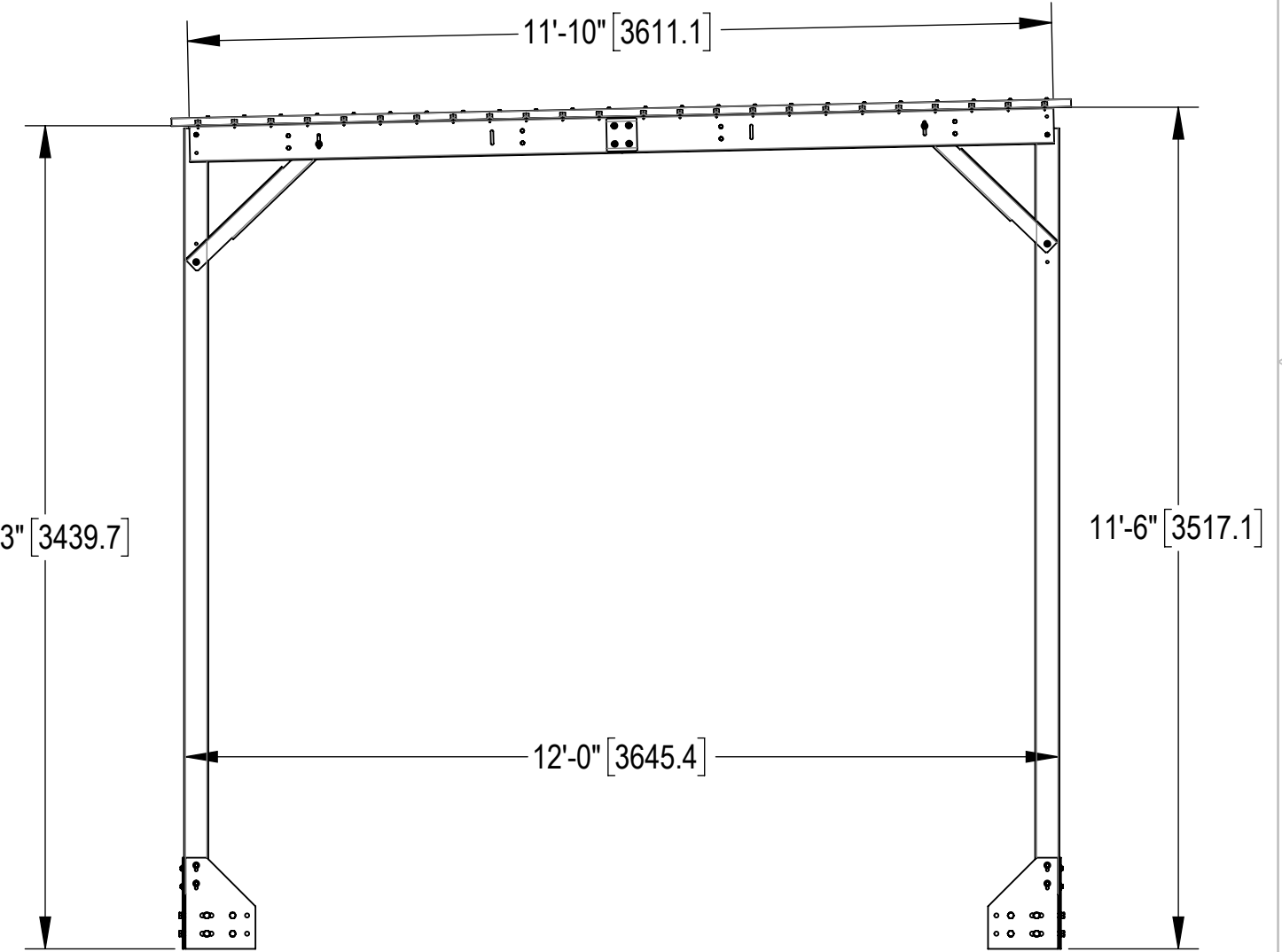
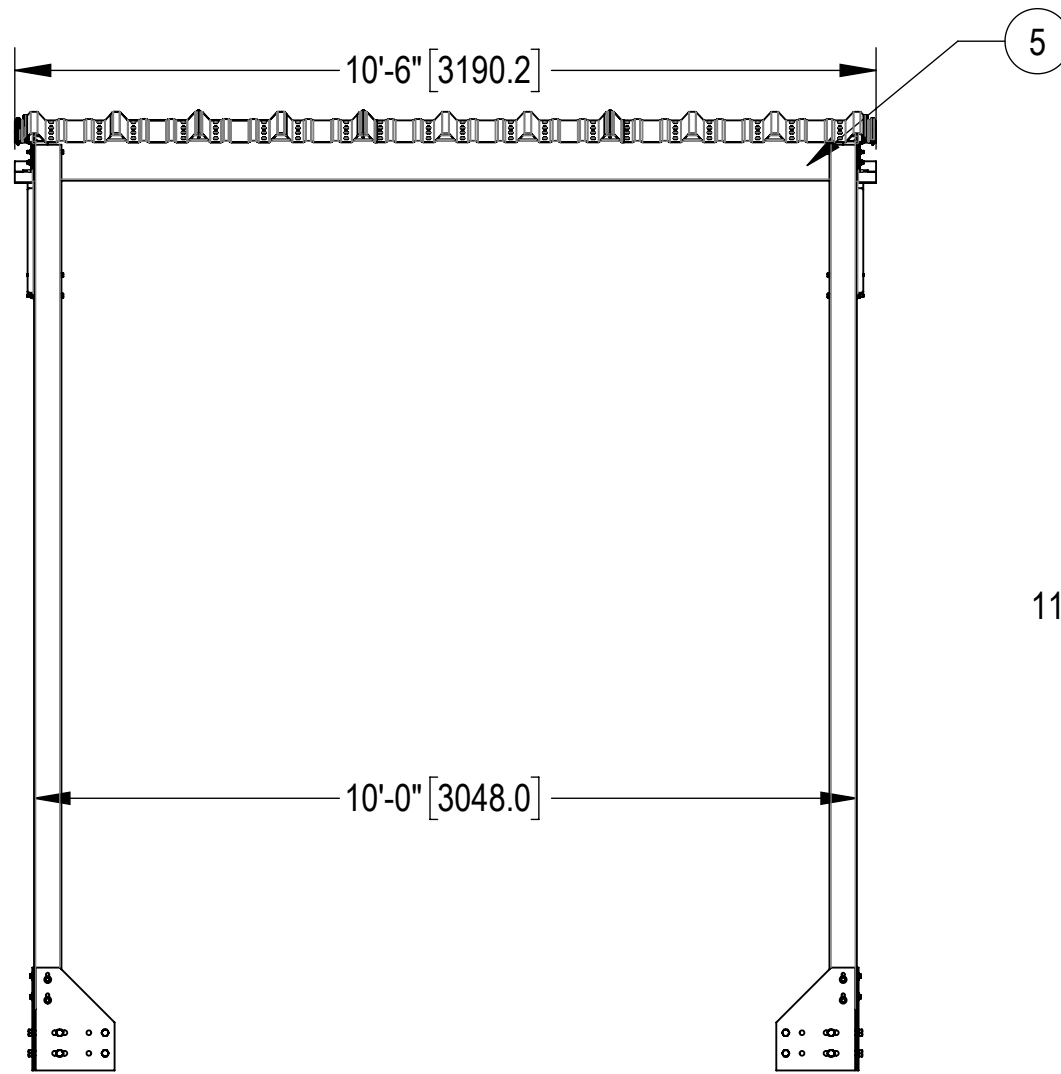
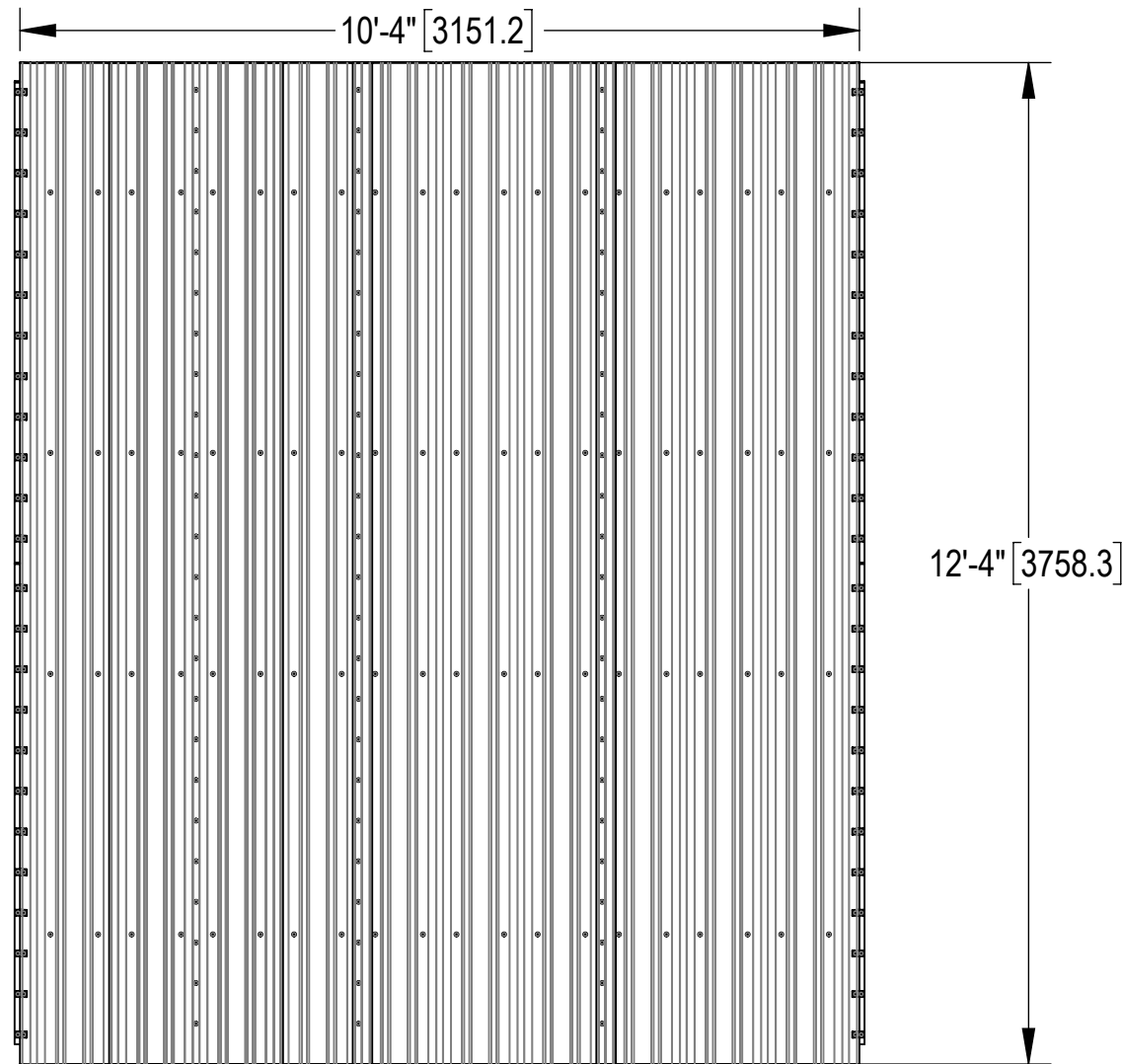
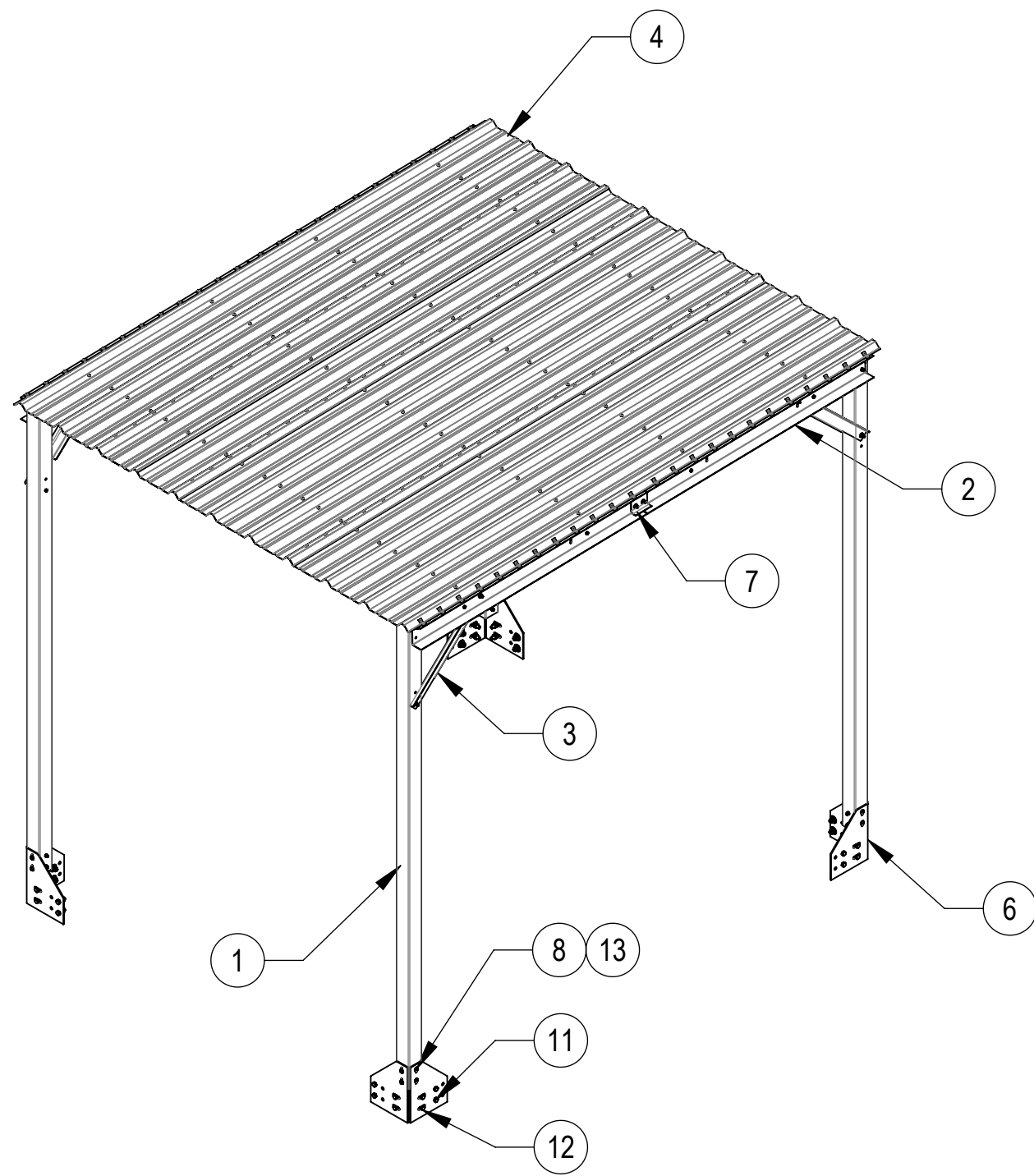
C

B

B

A

A



COMPONENT PART NUMBERS PROVIDED FOR ASSEMBLY PURPOSES;  
INDIVIDUAL COMPONENTS MAY BE SHIPPED AS PARTS WITHIN AN INCLUDED KIT.

ITEM	PART NO.	DESCRIPTION	QTY.	WEIGHT	NOTE NO.
1	MTC4173-1000-00	POST, 4X4 SQUARE TUBE, 126"	4	64.74 LBS	
2	MTC4173-2000-00	OUTER CHANNEL, ROOF SUPPORT	4	26.71 LBS	
3	MTC4130-3000-00	CANOPY BRACE	4	6.52 LBS	
4	RDR2636148	ROOF DECKING PBR 26 GA 36" X 148"	4	43.72 LBS	
5	MTC4173-3000-00	CANOPY CENTER CHANNEL	4	38.86 LBS	
6	MTC4169-2000-00	PLATE, CANOPY LEG SUPPORT	8	9.59 LBS	
7	MTC4173-4000-00	OUTER CONNECTION CHANNEL	2	1.30 LBS	
8	GB-03505	3/8" X 5" GALV BOLT KIT	24	0.17 LBS	
9	GB-03125	3/8" X 1-1/4" GALV BOLT KIT	4	0.06 LBS	
10	GB-03105	3/8" X 1" GALV BOLT KIT	24	0.05 LBS	
11	GB-05165	5/8" X 1-3/4" GALV BOLT KIT	16	0.24 LBS	
12	GB-05225	5/8" X 2-1/4" GALV BOLT KIT	16	0.28 LBS	
13	GWF-03	3/8" GALV FLAT WASHER	36	0.01 LBS	
14	GWF-05	5/8" GALV FLAT WASHER, 1.70D	16	0.06 LBS	
15	MTC3799C26	CLIP, RDR PANEL	48	0.05 LBS	
16	TS1275	TEK SCREW #12 X 3/4, WITH NEOPRENE WASHER	128	0.02 LBS	
17	MTC371531	1/4-14X7/8 SELF DRILLING HEX HEAD SCREW	120	0.02 LBS	

COMMSCOPE, INC. OF NORTH CAROLINA				
TITLE 10'X12' RAIN CANOPY, ON EQ. PLATFORM				
SIZE C	SCALE 1:32	DOCUMENT NO. EQ-P1012-B-RC-P		
DRAWING		VERSION	STATUS	REVISION
SHEET 2 OF 4		00	RW	A

4

3

2

1

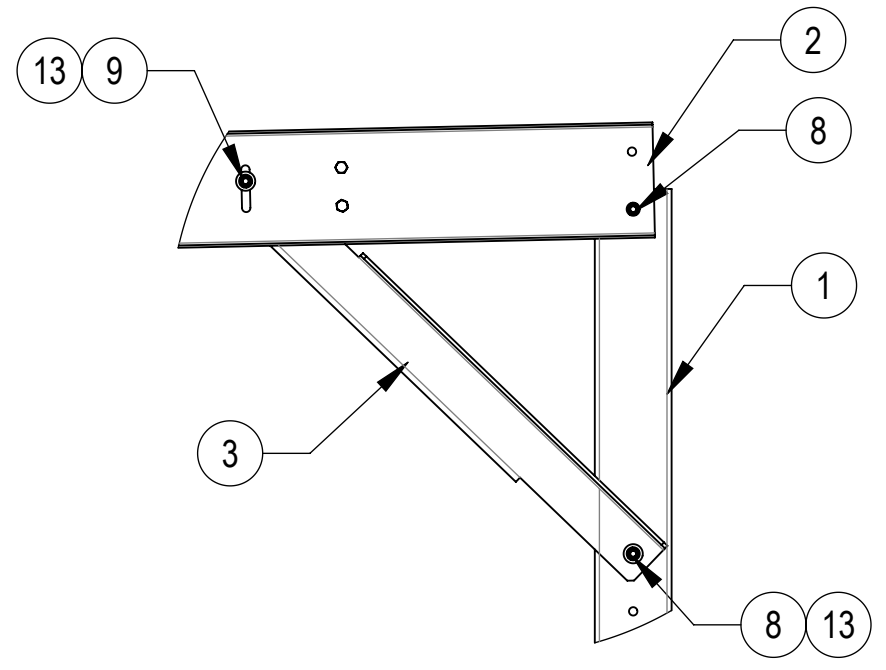
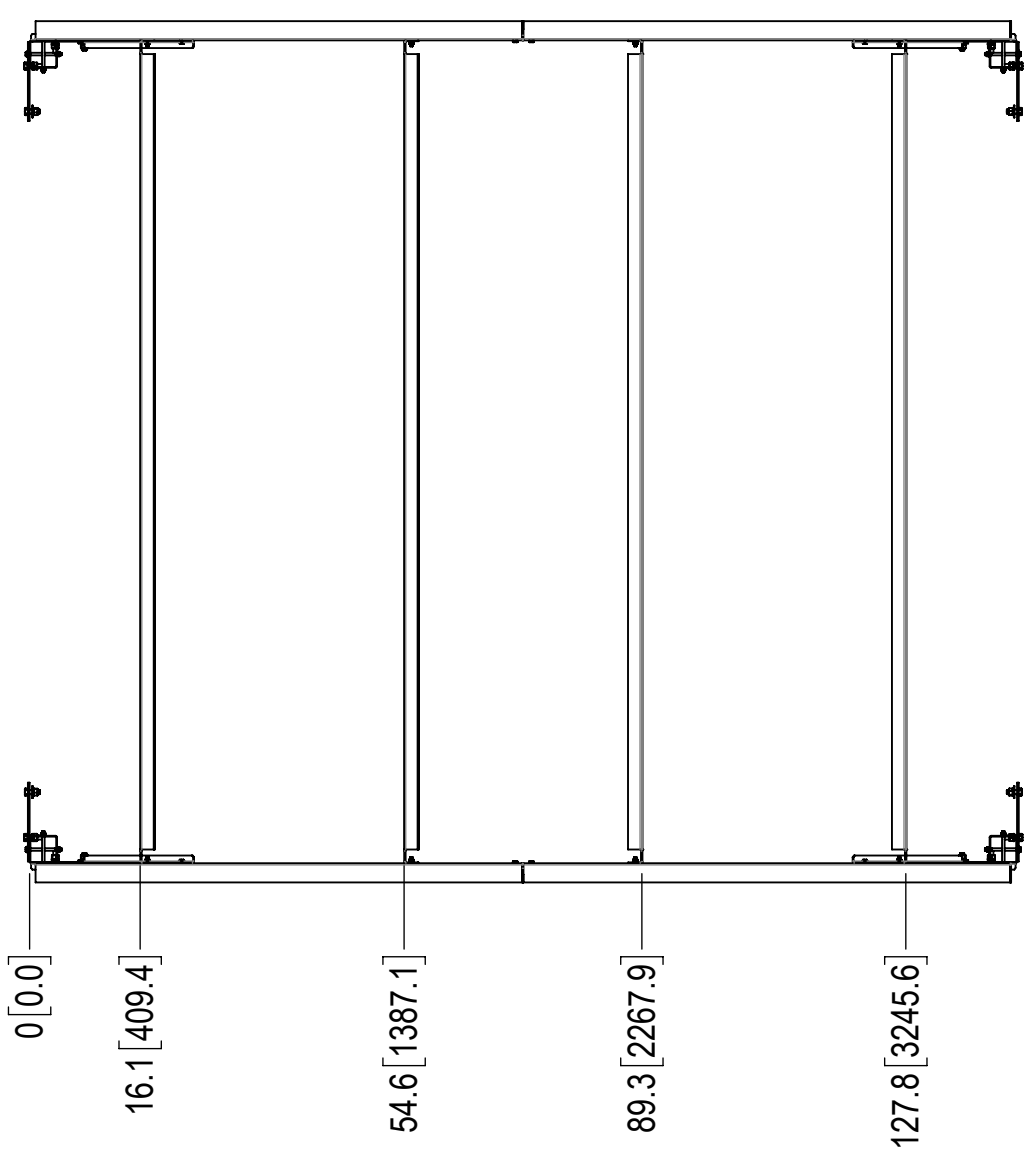


4

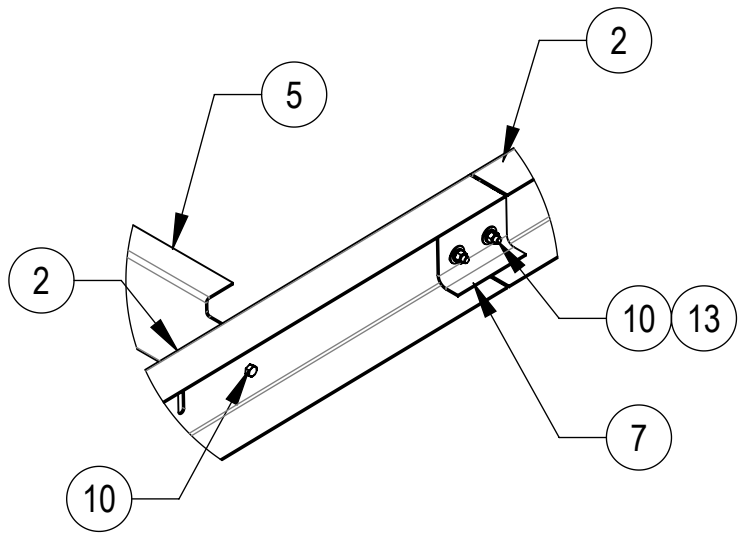
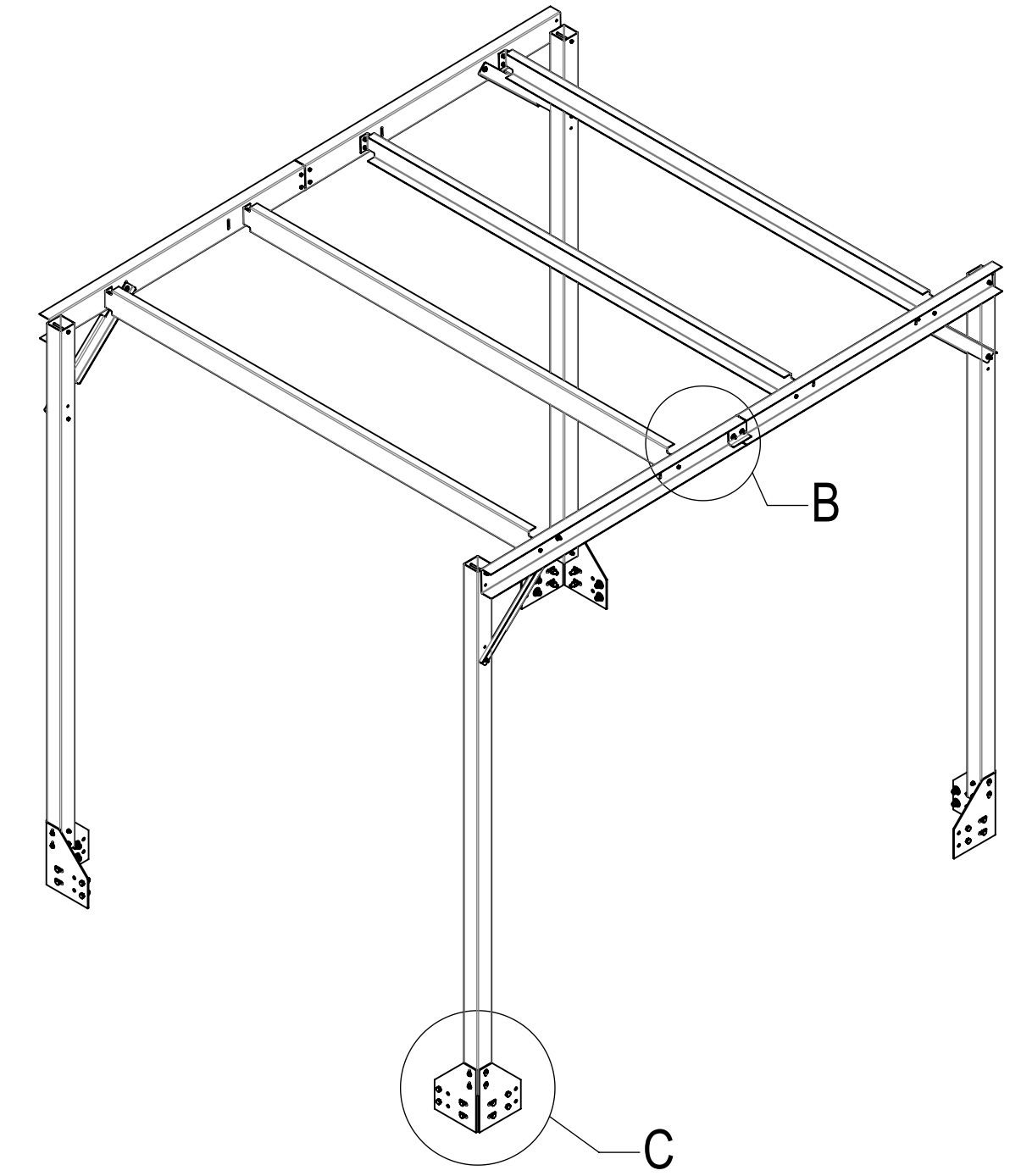
3

2

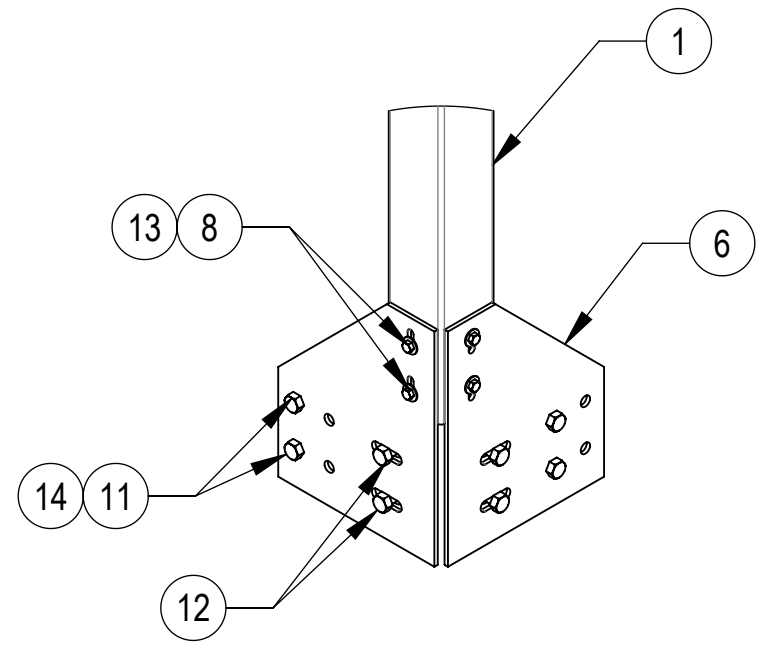
1



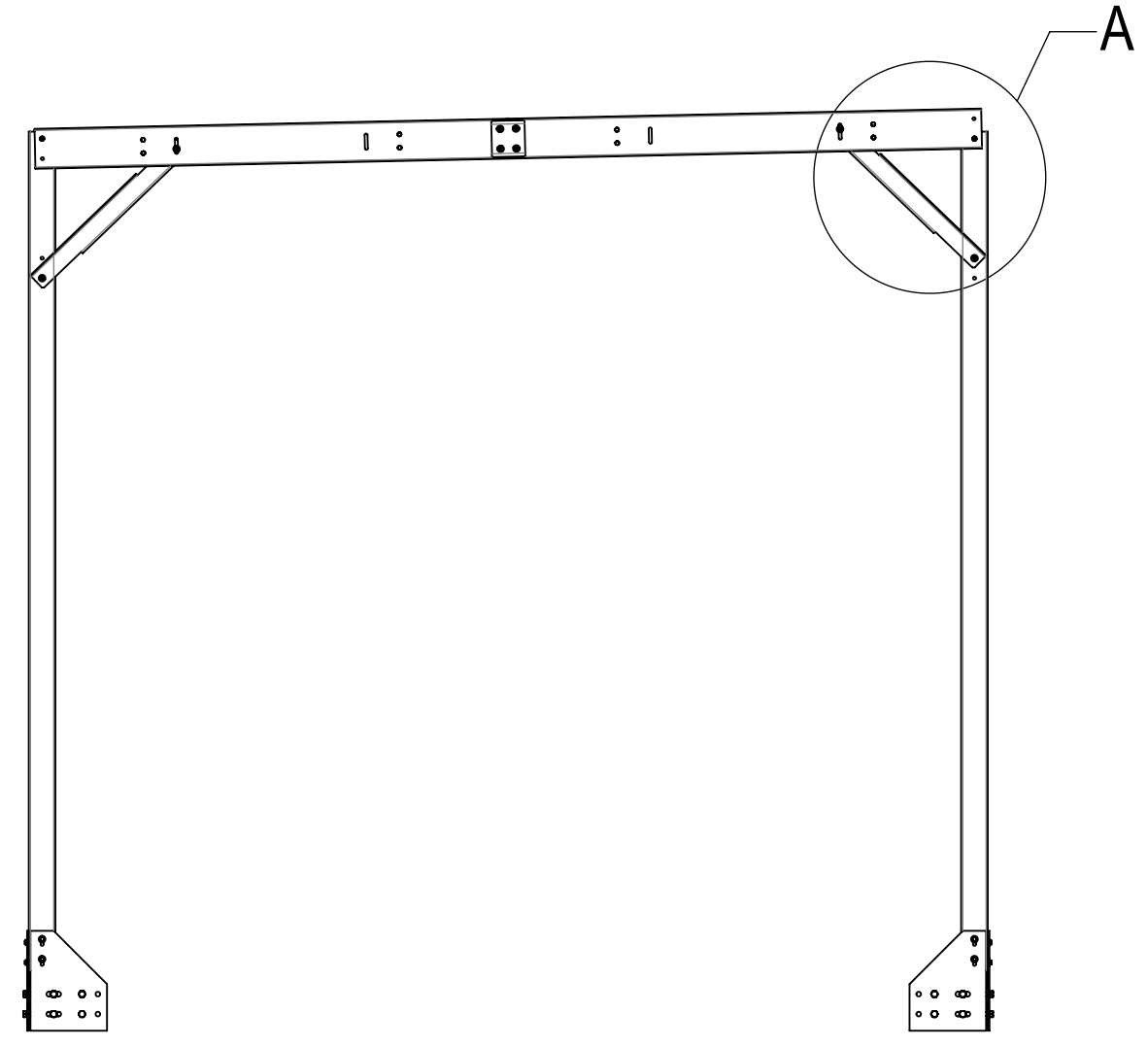
DETAIL A  
SCALE 1 : 10



DETAIL B  
SCALE 1 : 10



DETAIL C  
SCALE 1 : 10



HIDE ROOF DECKING FOR CLARITY

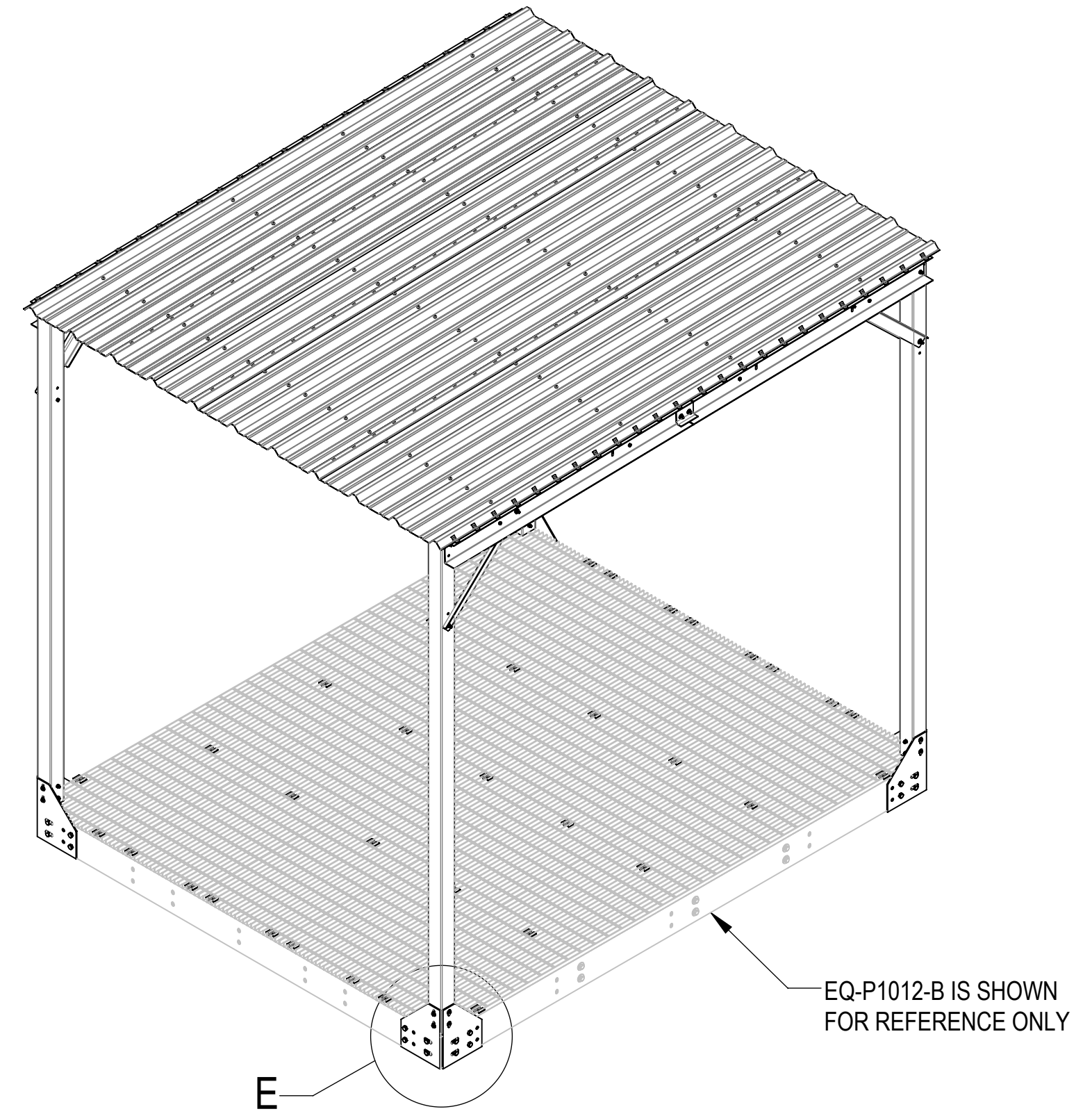
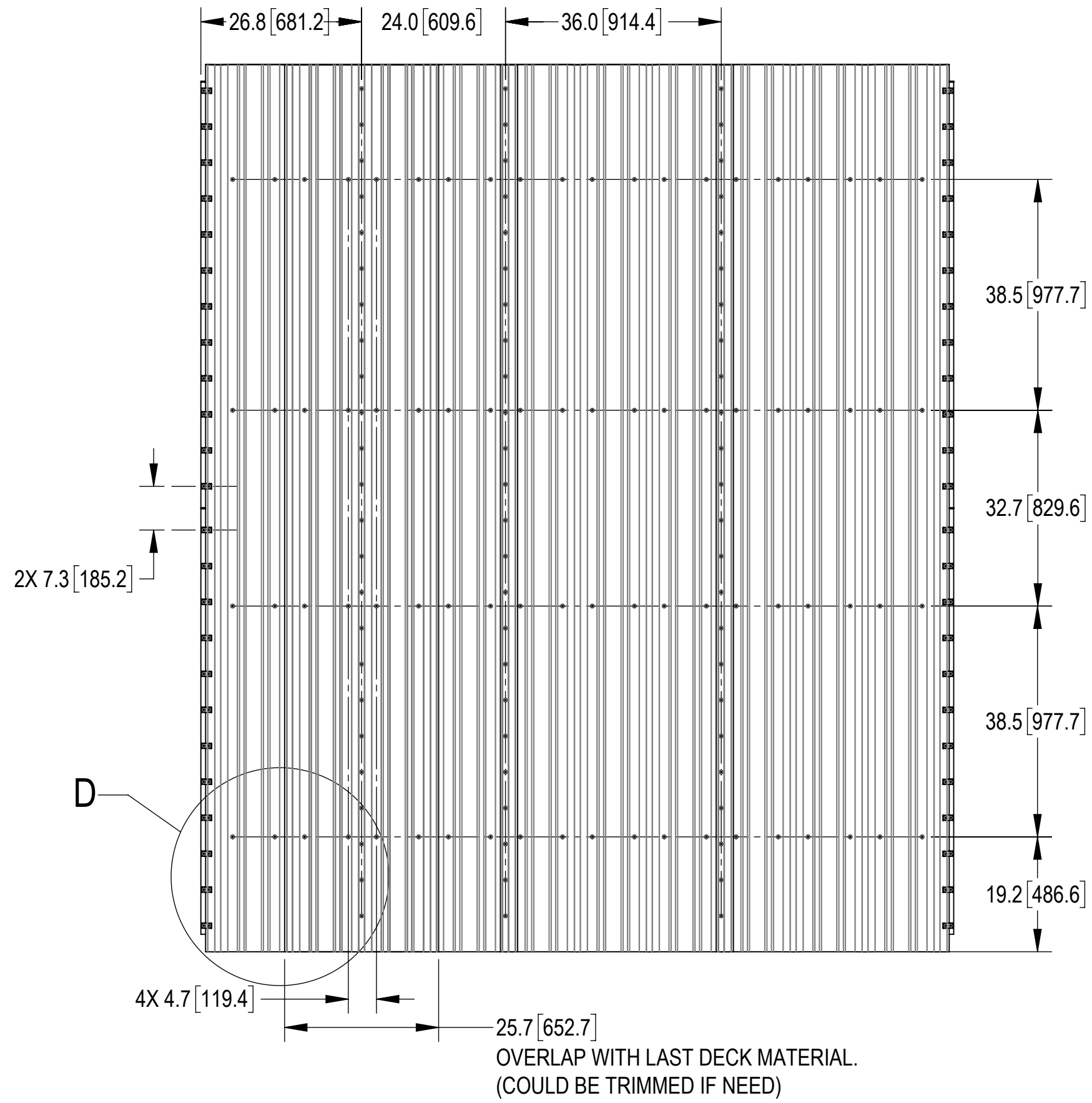
COMMSCOPE, INC. OF NORTH CAROLINA				
TITLE 10'X12' RAIN CANOPY, ON EQ. PLATFORM				
SIZE C	SCALE 1:32	DOCUMENT NO. EQ-P1012-B-RC-P		
		DRAWING		SHEET
		VERSION	STATUS	REVISION
		00	RW	A
				3 OF 4

4

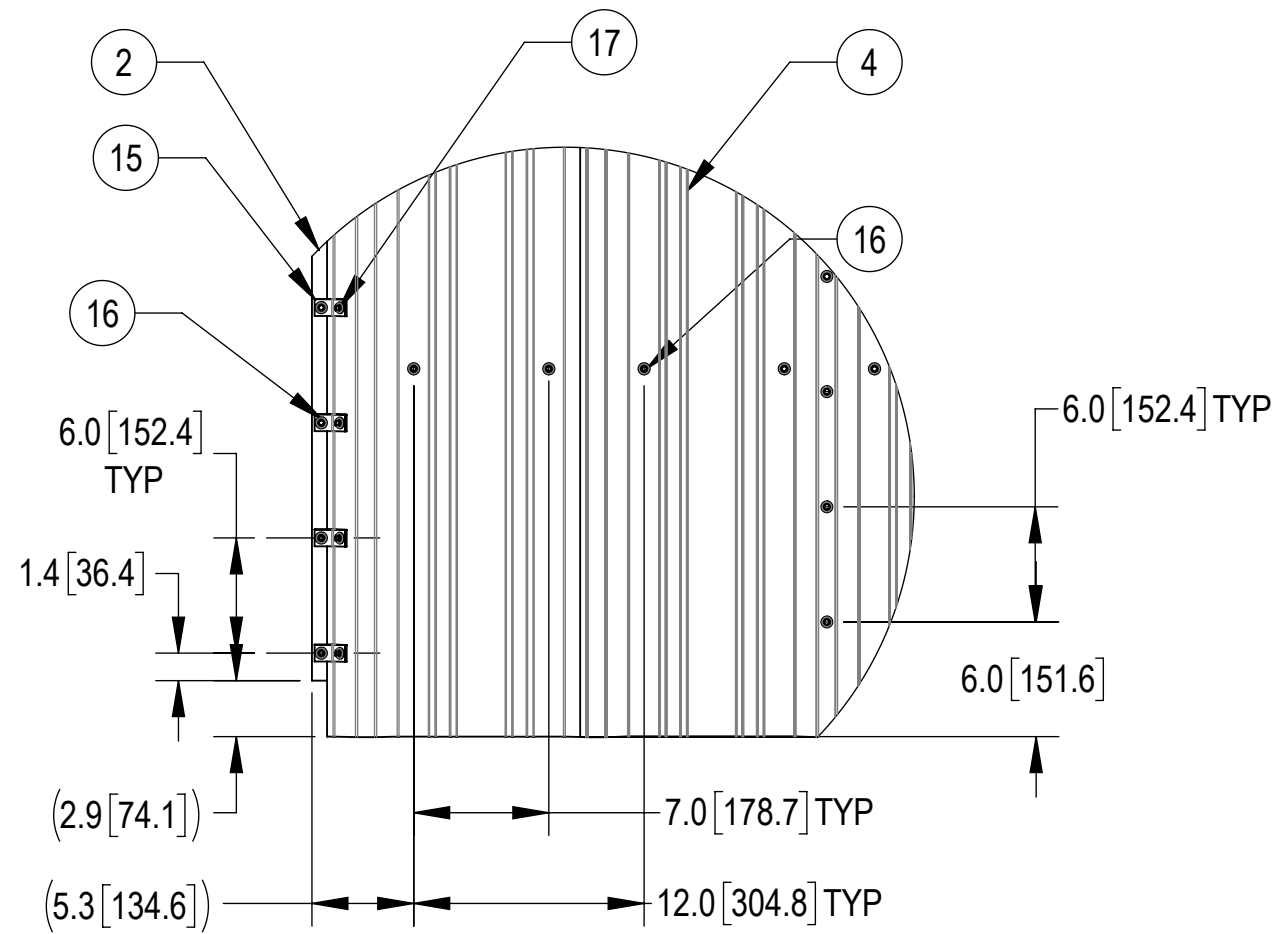
3

2

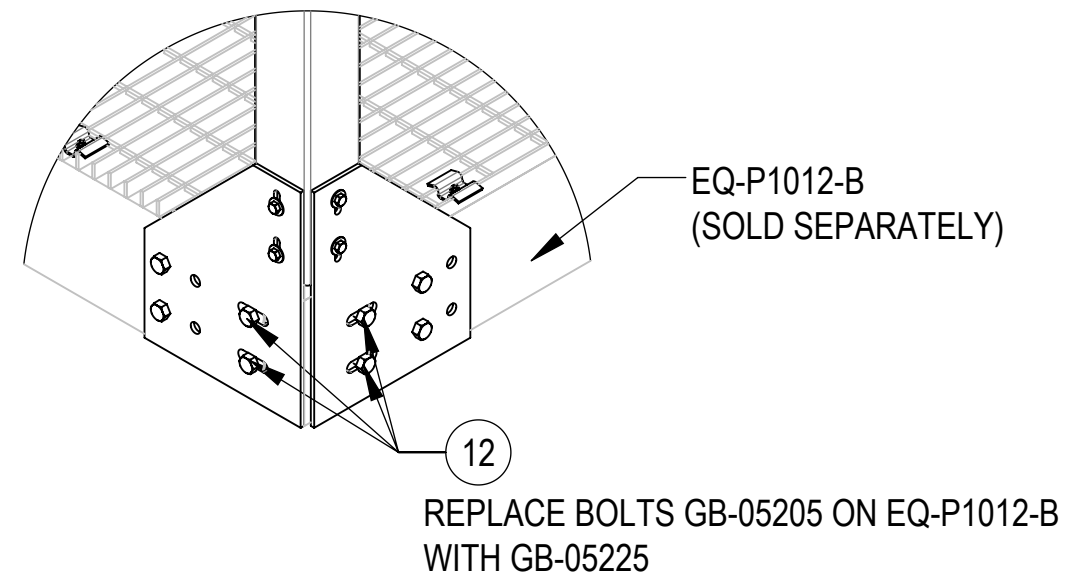
1



ATTACHED TO EQ-P1012-B VIEW



DETAIL D  
SCALE 1 : 10



DETAIL E  
SCALE 1 : 10  
(4 PLACES)

COMMSCOPE, INC. OF NORTH CAROLINA				
TITLE 10'X12' RAIN CANOPY, ON EQ. PLATFORM				
SIZE C	SCALE 1:32	DOCUMENT NO. EQ-P1012-B-RC-P		
		DRAWING		SHEET
		VERSION 00	STATUS RW	REVISION A
				4 OF 4