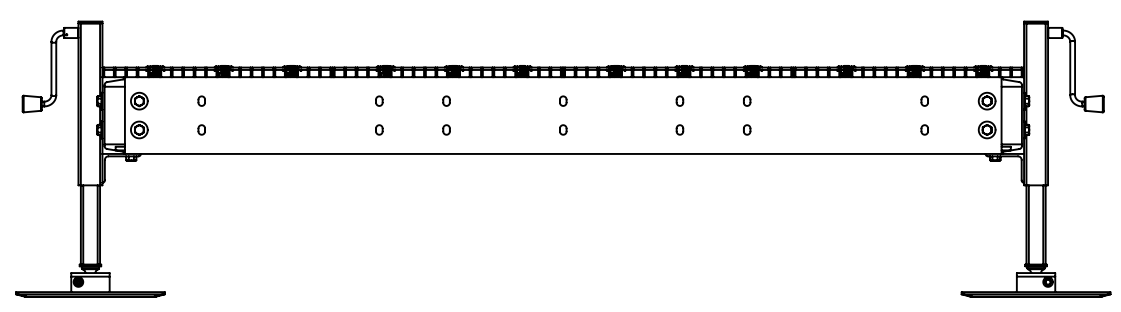
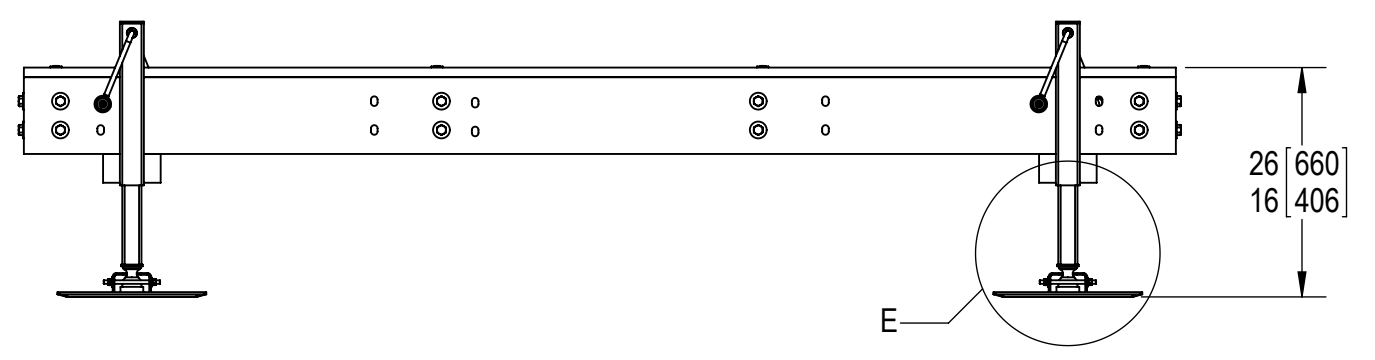
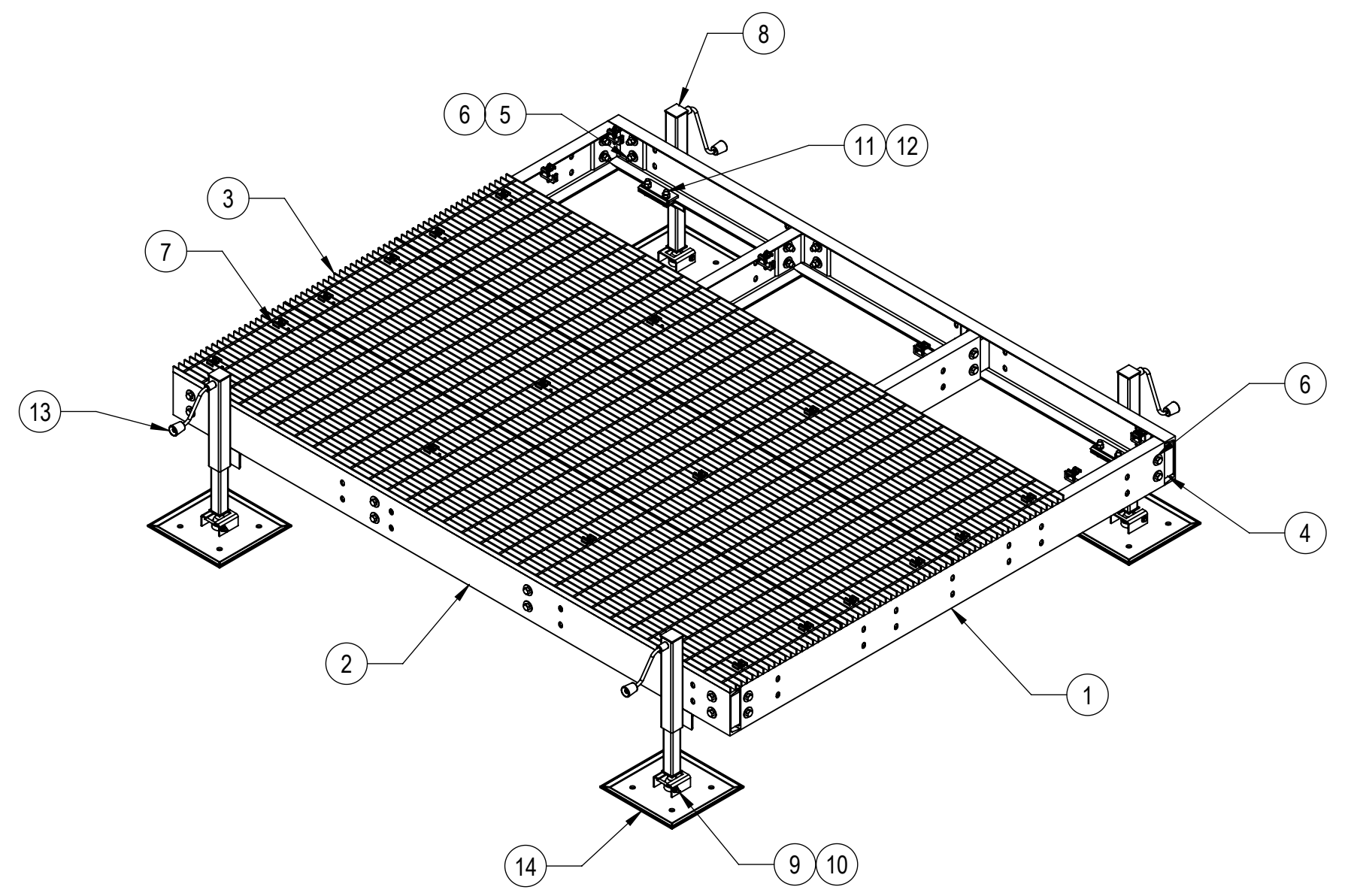
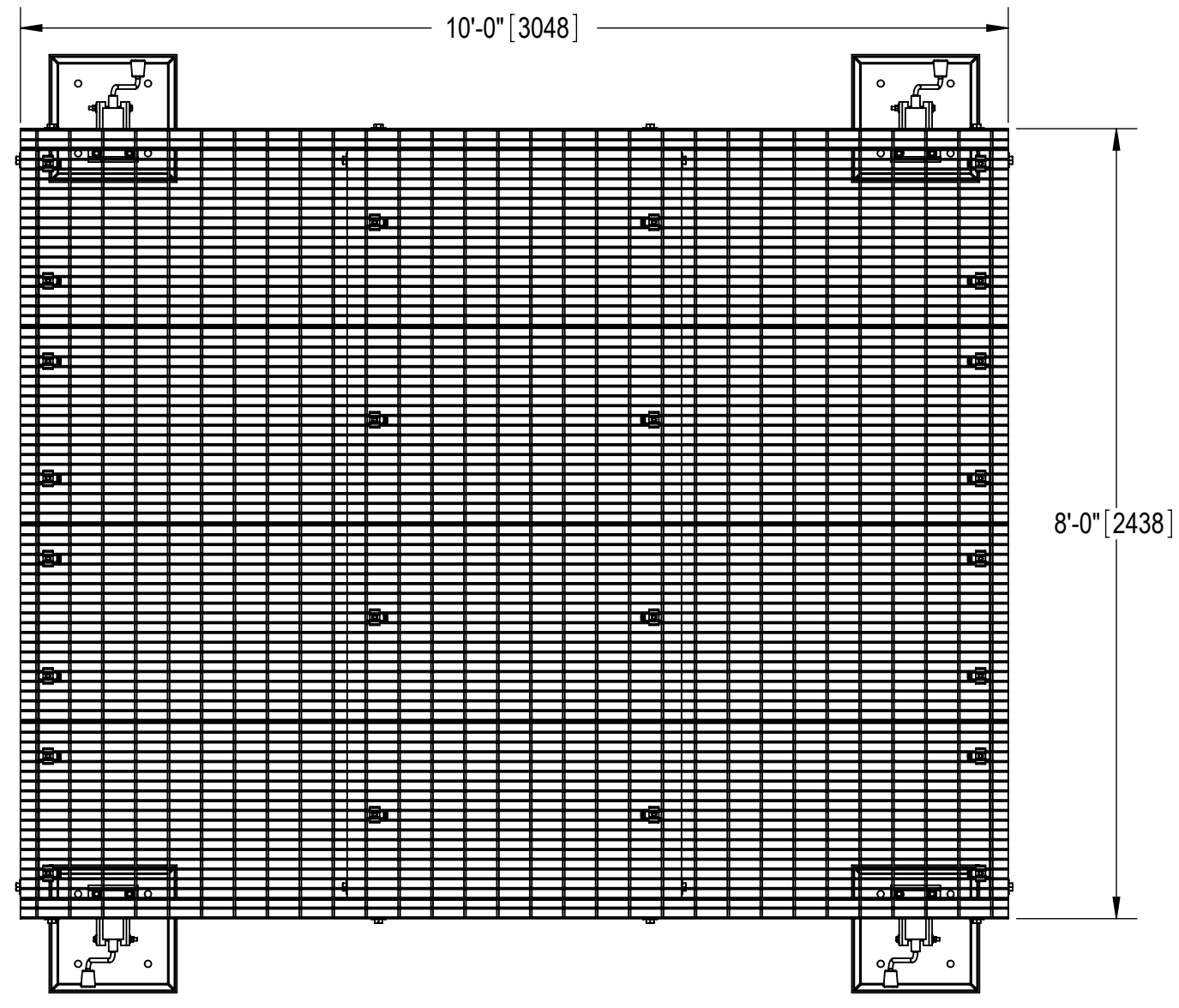


- 1.0 GENERAL NOTES
 1.1 ALL METRIC DIMENSIONS ARE IN BRACKETS [X.X]
 1.2 FOR PATENT INFO: <https://www.cs-pat.com>
 2.0 DESIGN NOTES
 3.0 MANUFACTURING/SPECIAL REQUIREMENTS
 3.1 TIGHTEN ALL BOLTS SECURING FLAT PLATES BY THE TURN-OF-NUT METHOD. TIGHTEN ALL U-BOLTS USING TURN-OF-NUT METHOD WITH ATTENTION TO LEAVE EQUAL DISTANCE AND EQUAL FORCE ON EACH LEG OF THE U-BOLT.
 4.0 TEST
 5.0 PACKAGING
 5.1 PACKAGING SHALL MEET COMMSCOPE REQUIREMENTS PER DOCUMENT IS-PL-3005
 5.2 PRINTED DOCUMENT TO BE PLACED INSIDE POLYBAG AND THEN IN SHIPPING CONTAINER
 5.3 EXTRA HARDWARE MAY BE SUPPLIED, BAGGED AND SHIPPED

REVISIONS			
REV.	DESCRIPTION	DATE	APPROVED
A	INITIAL RELEASE	MSM 08MAR11	TP
B	UPDATE WEIGHTS	MSM 04APR12	TP
C	UPDATED DRAWING FORMAT; ADDED NOTE; ADDED DIMENSIONS 98.5, 97.5, 39.7&38.4; ADDED SHEET2	LL1090 23NOV23	BCROSS 40183651CMO

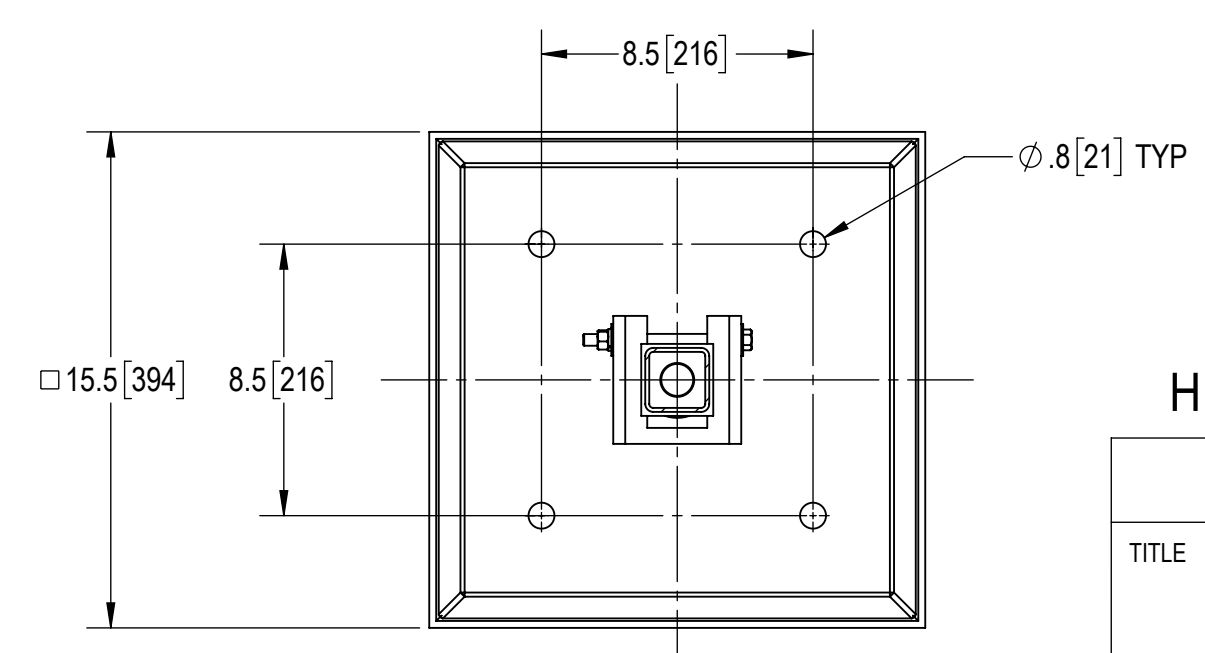
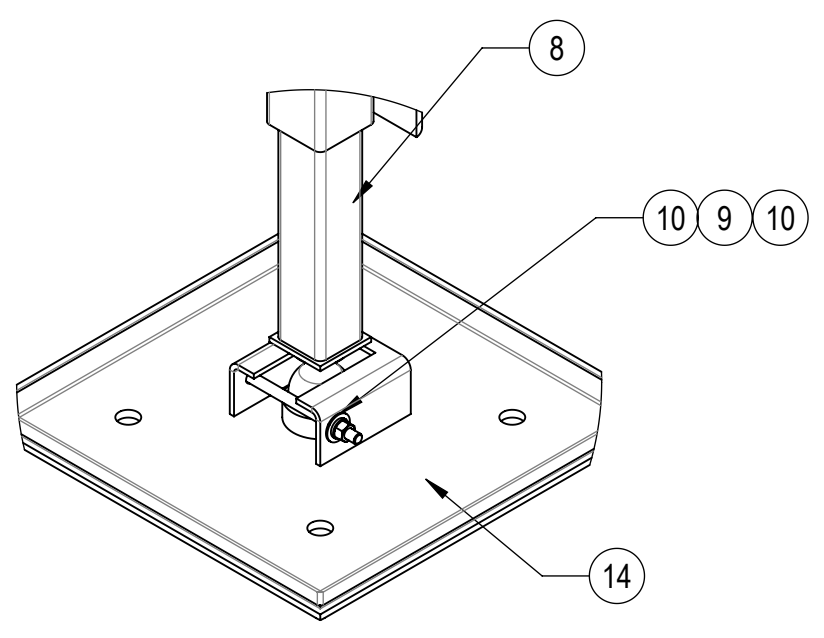
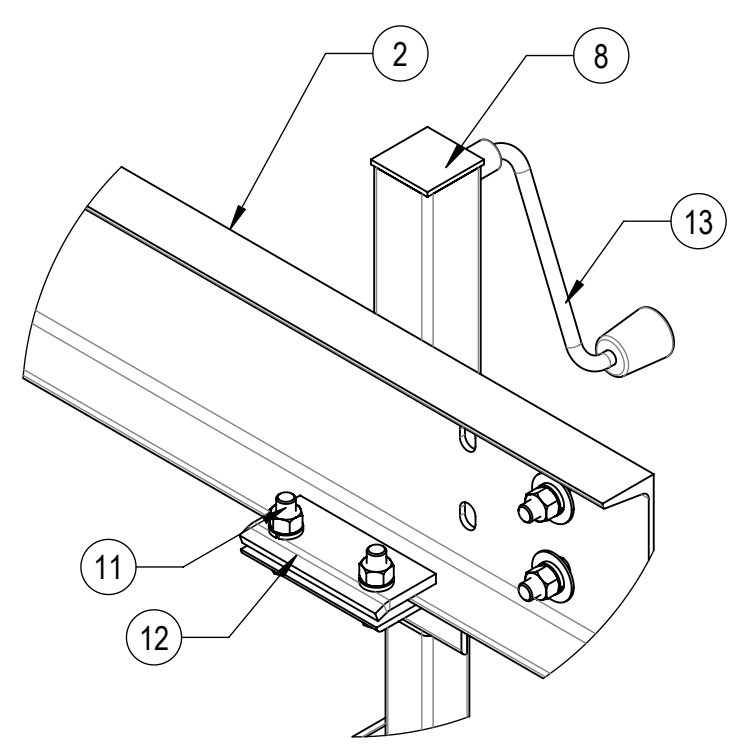
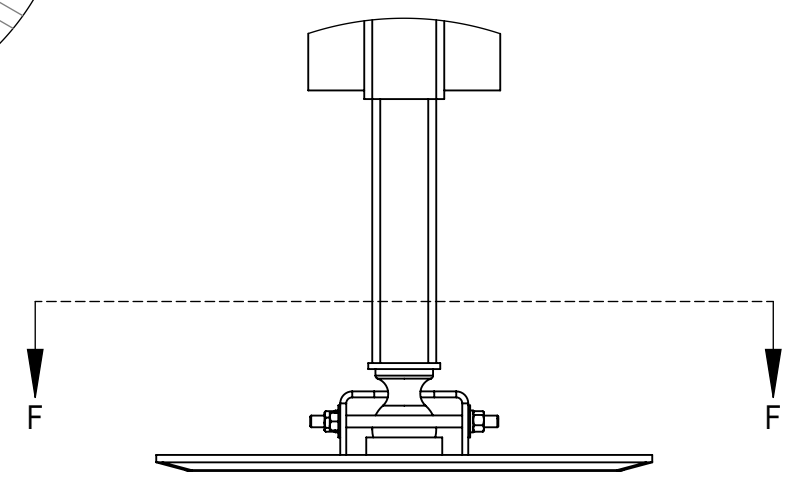
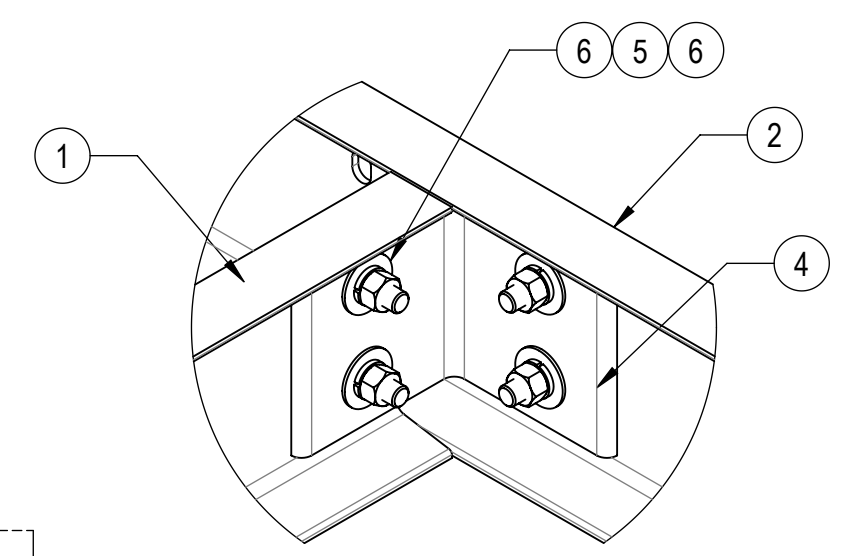
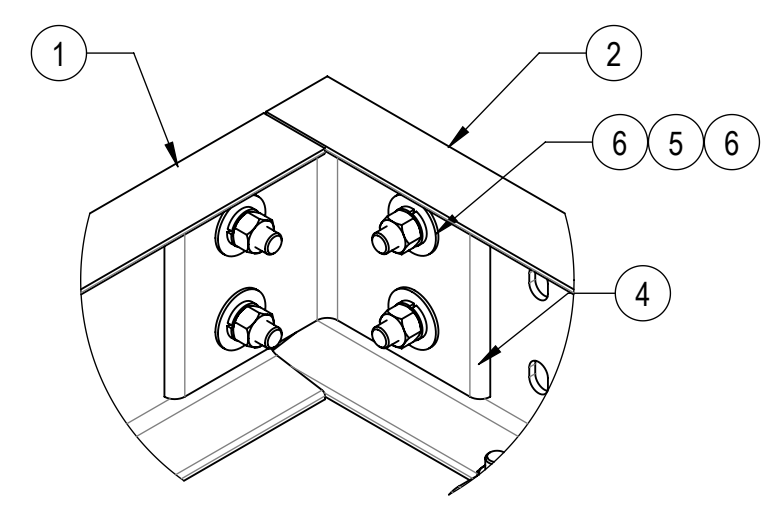
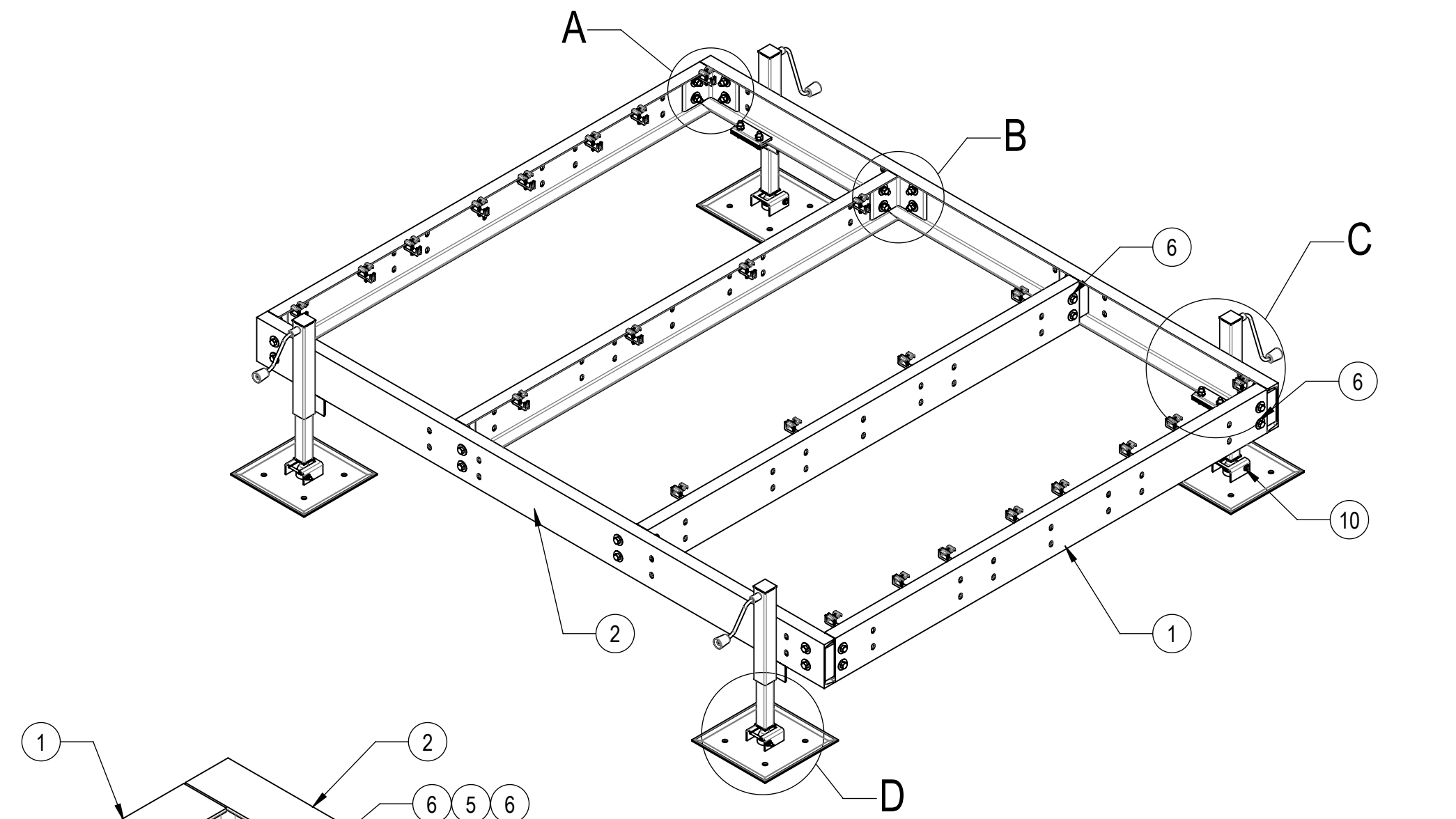
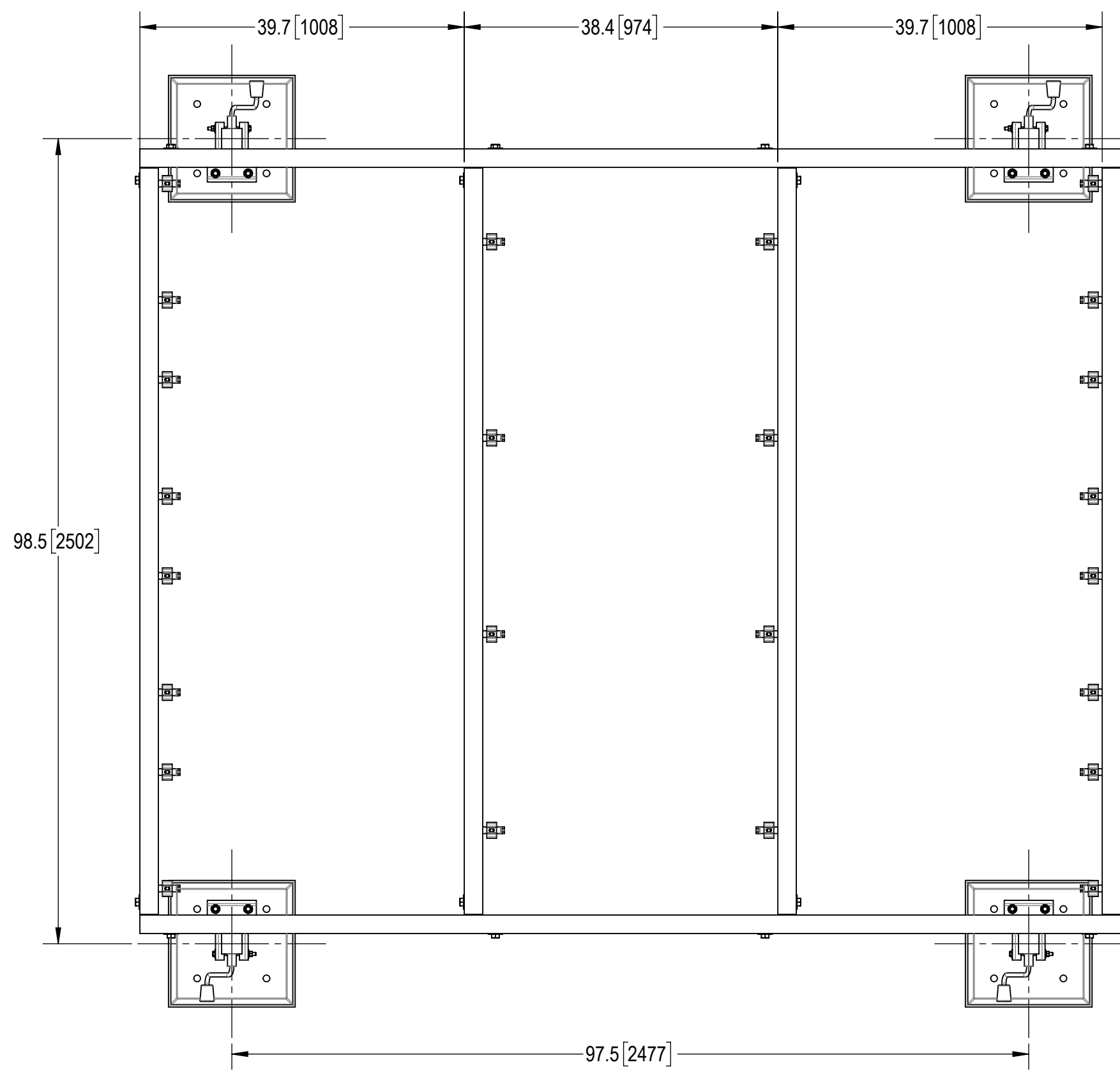


COMPONENT PART NUMBERS PROVIDED FOR ASSEMBLY PURPOSES;
 INDIVIDUAL COMPONENTS MAY BE SHIPPED AS PARTS WITHIN AN INCLUDED KIT.

ITEM	PART NO.	DESCRIPTION	QTY.	WEIGHT	NOTE NO.
1	MTC79020808.01	8' CENTER CHANNEL	4	86.21 LBS	
2	MTC79021010.01	10' SIDE CHANNEL	2	113.50 LBS	
3	MTC7902081001	24" X 120" BAR GRATING	4	141.45 LBS	
4	MTC790203	CHANNEL ADAPTER ANGLE	8	7.07 LBS	
5	GB-05205	5/8" X 2" GALV BOLT KIT	32	0.26 LBS	
6	GWF-05	5/8" GALV FLAT WASHER, 1.7OD	64	0.06 LBS	
7	GCM03	GRATING CLIP	24	0.44 LBS	
8	MTC7902AL.05	ADJUSTABLE LEG SUB ASSEMBLY	4	17.16 LBS	
9	GB-03505	3/8" X 5" GALV BOLT KIT	4	0.17 LBS	
10	GWF-03	3/8" GALV FLAT WASHER	8	0.01 LBS	
11	GB-0522A	5/8" X 2-1/4" GALV BOLT KIT (A325)	8	0.28 LBS	
12	MTC7902AL07	PINCH PLATE	4	1.60 LBS	
13	EQPALC	CRANK	4	1.33 LBS	
14	MTC7902AL.04	PIVOTING FOOT FOR ADJUSTABLE LEG	4	21.30 LBS	

COMMSCOPE, INC. OF NORTH CAROLINA

TOLERANCES		SAP MATERIAL MASTER							
1 PLACE .X[X] ± 0.12[3.0]	3 PLACE .XXX[X] ± 0.03[0.8]	EQ-P0810-AL							
2 PLACE .XX[X] ± 0.06[1.5]	ANGLES ± 2°								
FINISH		MATERIAL							
UNLESS OTHERWISE SPECIFIED DIMENSIONS ARE IN INCHES INTERPRET PER ANSI Y 14.5M-1994		TITLE							
CE MSM	DATE 08MAR11	EQUIPMENT PLATFORM 8' X 10' W/ 4 AL							
RW LL1090	DATE 11/29/2023								
AD YMENG	DATE 12/11/2023								
RE YMENG	DATE 12/11/2023								
ECN 40183651CMO		SCALE	DOCUMENT NO.						
		1:24	EQ-P0810-AL						
SIZE	Auth Group	INSL	MODEL						
C			VERSION	STATUS	REVISION	VERSION	STATUS	REVISION	SHEET
			01	RE	C	01	RE	C	1 OF 2



HIDE BAR GRATING FOR CLARITY

COMMSCOPE, INC. OF NORTH CAROLINA			
TITLE EQUIPMENT PLATFORM 8' X 10' W/ 4 AL			
SIZE C	SCALE 1:24	DOCUMENT NO. EQ-P0810-AL	
DRAWING		VERSION	REVISION
		01	RE
			C
		SHEET 2 OF 2	