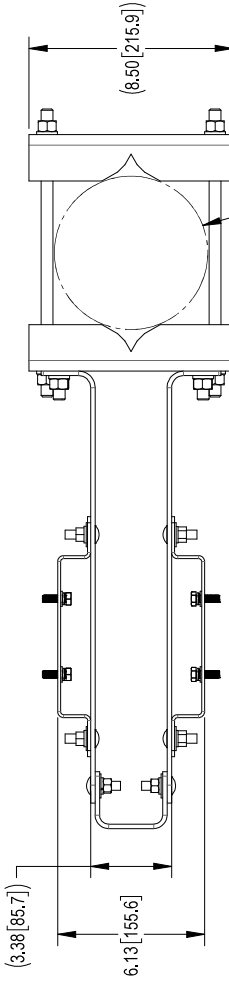


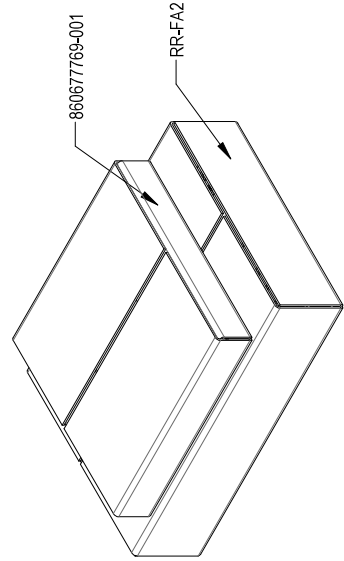
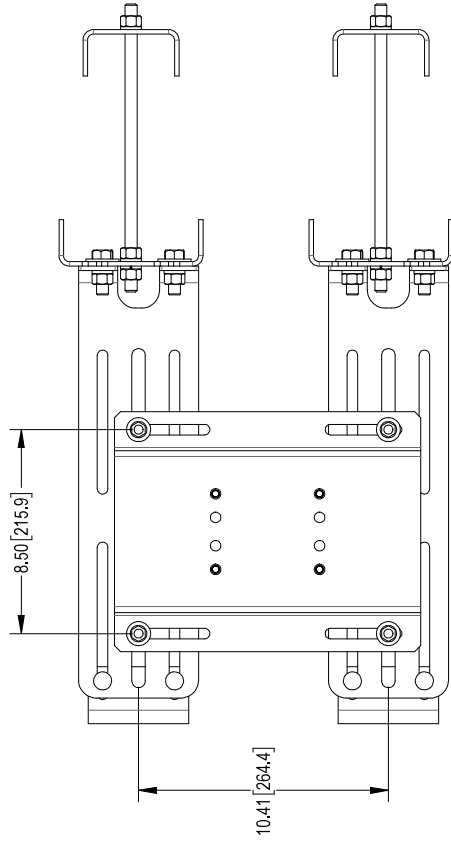
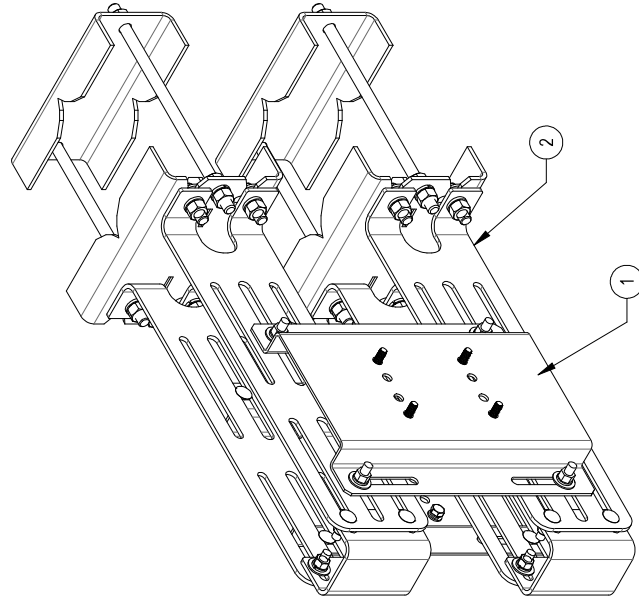
1.0 GENERAL NOTES

- 1.1 ALL METRIC DIMENSIONS ARE IN BRACKETS [X.X]
- 1.2 FOR PATENT INFO: <https://www.gs-stahl.com>
- 2.0 DESIGN NOTES
- 2.1 ANY HAZARDS OR OBSTRUCTIONS TO THE CLIMBING FACILITY AND SAFETY CLIMB MUST BE IDENTIFIED PRIOR TO INSTALLING THE APPURTENANCE. ADDITIONAL PRODUCTS MAY BE REQUIRED TO MAINTAIN THE INTEGRITY OF THE SAFETY CLIMB. DURING INSTALLATION, TEMPORARY AND/OR PERMANENT PRECAUTIONARY MEASURES SHOULD BE TAKEN TO PRESERVE THE CLIMBING FACILITY AND/OR SAFETY CLIMB.
- 2.2 THE "RR-FA2-A" IS COMPATIBLE WITH SAMSUNG, NOKIA, AND ERICSSON ERS & LEGACY RADIOS.
- 3.0 MANUFACTURING/SPECIAL REQUIREMENTS
- 3.1 TIGHTEN ALL BOLTS SECURING FLAT PLATES BY THE TURN-OF-NUT METHOD. TIGHTEN ALL U-BOLTS USING TURN-OF-NUT METHOD WITH ATTENTION TO LEAVE EQUAL DISTANCE AND EQUAL FORCE ON EACH LEG OF THE U-BOLT.
- 4.0 TEST
- 5.0 PACKAGING
- 5.1 PACKAGING SHALL MEET COMMSCOPE REQUIREMENTS PER DOCUMENT IS-PL-3005.
- 5.2 PRINTED DOCUMENT TO BE PLACED INSIDE POLYBAG AND THEN IN SHIPPING CONTAINER.
- 5.3 EXTRA HARDWARE MAY BE SUPPLIED, BAGGED AND SHIPPED.

REV.	DESCRIPTION	DATE	APPROVED
A	INITIAL RELEASE	JL1183 15MAR24	YZ1080 40191193C10



FOR POLES UP TO 5.6" IN DIAMETER
FOR 90 DEGREE ANGLES UP TO 4.5"
FOR 60 DEGREE ANGLES UP TO 6.0"

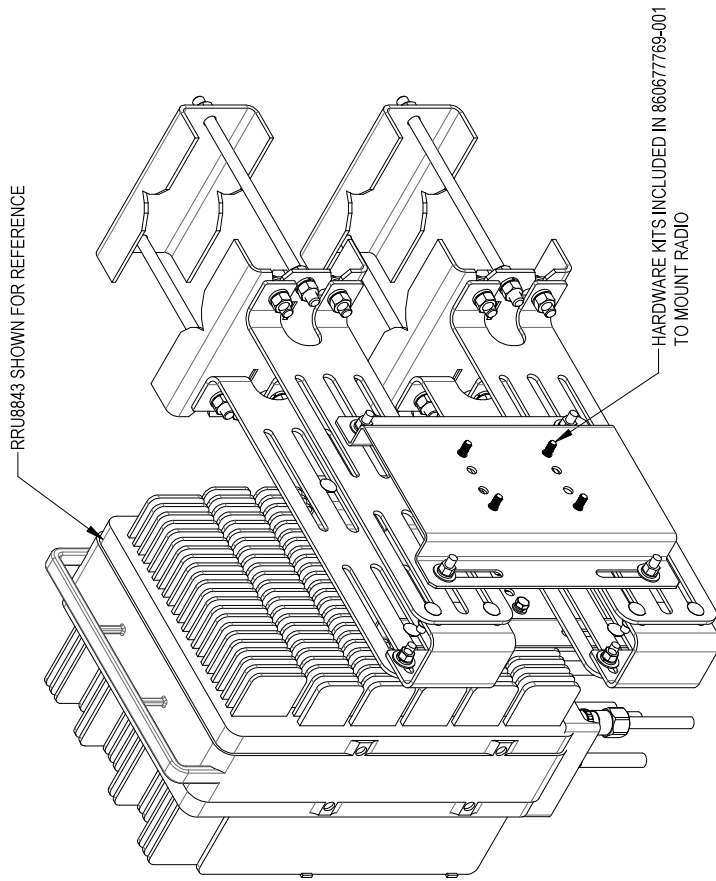


COMMSCOPE, INC. OF NORTH CAROLINA		SAP MATERIAL MASTER	
TOLERANCES		RR-FA2-A	
0 PLACE .X[X] ± 0.2[6.3]	2 PLACE .XX[X] ± 0.060[1.5]		
1 PLACE .X[X] ± 0.12[3.0]	ANGLES ± 2°		
FINISH		MATERIAL	
NAME	DATE	TITLE	
CE JL1183	15MAR24	B2B FAST ACCESS RRU MOUNT	
EW JL1183	03/15/2024		
AD YZ1080	03/17/2024		
RE JL1183	03/17/2024		
ECN 40191193C10		DOCUMENT NO.	
Auth Group	INSL	SCALE	
		1:8	
SIZE	VERSION	MODEL	DRAWING
C	RE	A	00
STATUS	REVISION	REVISION	STATUS
	A	A	RE
HEIGHT	LENGTH	WIDTH	
16.4"	30.0"	8.5"	
DENSITY	MASS	VOLUME	SURFACE AREA
	50.6447	179.8928	2367.5785
	lb/in ³	in ³	in ²
UNLESS OTHERWISE SPECIFIED DIMENSIONS ARE IN INCHES (PARENTS PER ANSI Y14.5M-1994)			

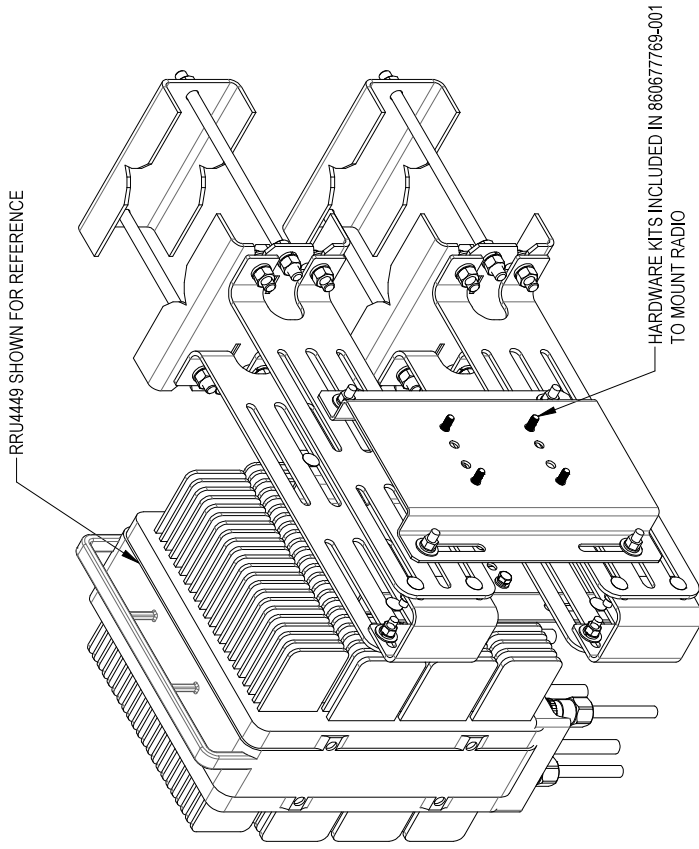
PACKAGE

© 2024 CommScope, Inc. Confidential

INSTALLATION WITH 8843/4449 RADIO SHOWN FOR REFERENCE



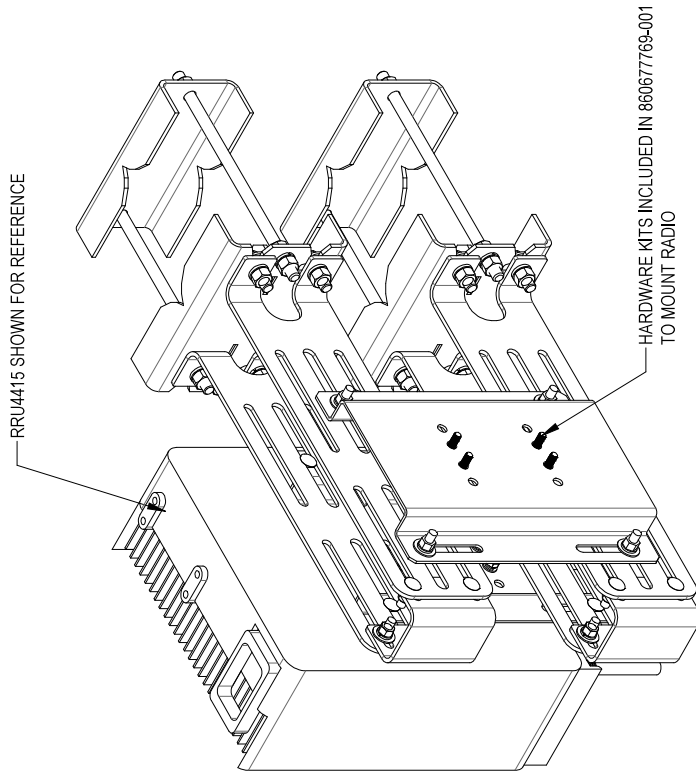
(HIDE ONE SIDE OF THE RRU FOR CLARITY)



(HIDE ONE SIDE OF THE RRU FOR CLARITY)

COMMSCOPE, INC. OF NORTH CAROLINA		A	
TITLE			
B2B FAST ACCESS RRU MOUNT			
SIZE	SCALE	DOCUMENT NO.	
C	1:8	RR-FA2-A	
DRAWING		VERSION	STATUS
SHEET		00	RE
2 OF 3		RE	A

INSTALLATION WITH 4415 RADIO SHOWN FOR REFERENCE



(HIDE ONE SIDE OF THE RRU FOR CLARITY)

COMMScope, INC. OF NORTH CAROLINA		
TITLE B2B FAST ACCESS RRU MOUNT		
SIZE C	SCALE 1:8	
DOCUMENT NO. RR-FA2-A		
DRAWING		
VERSION 00	STATUS RE	REVISION A
SHEET 3 OF 3		