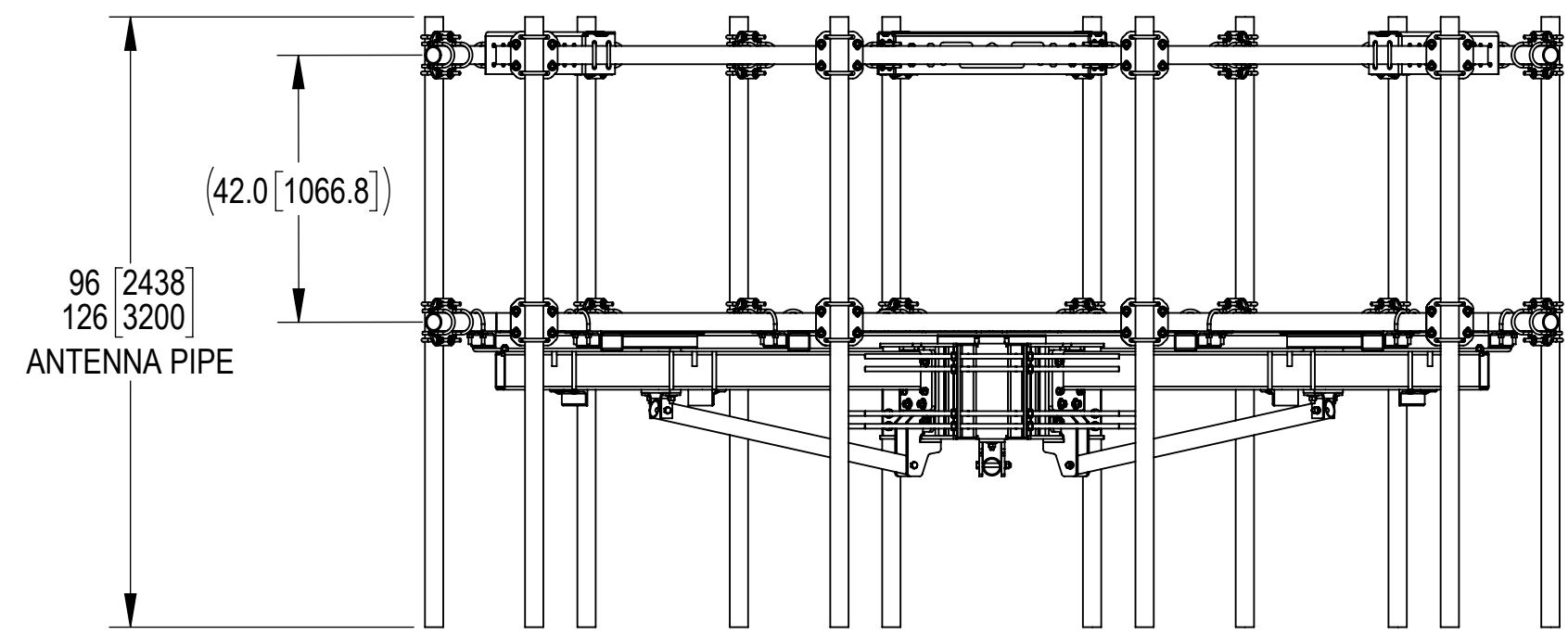
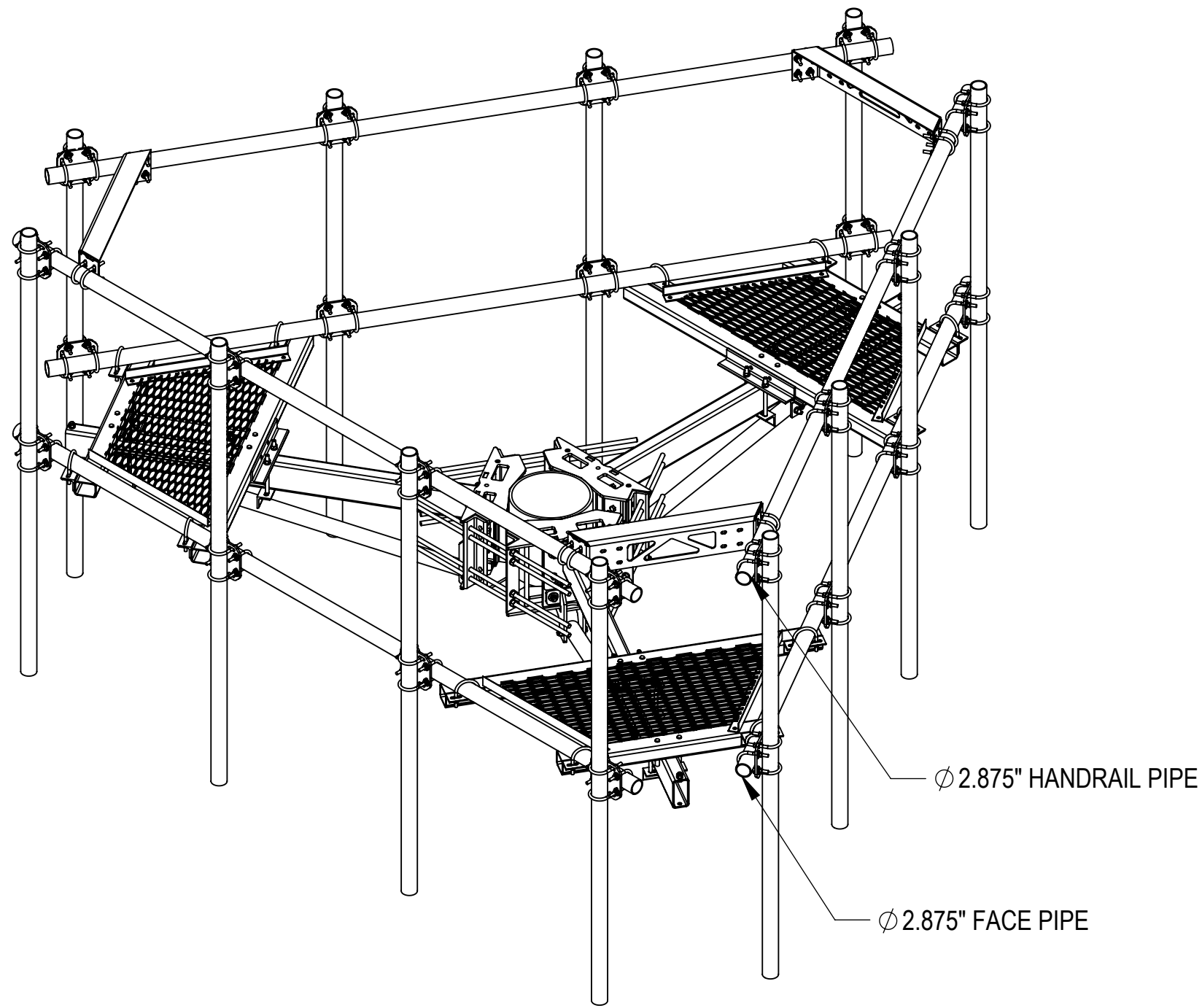
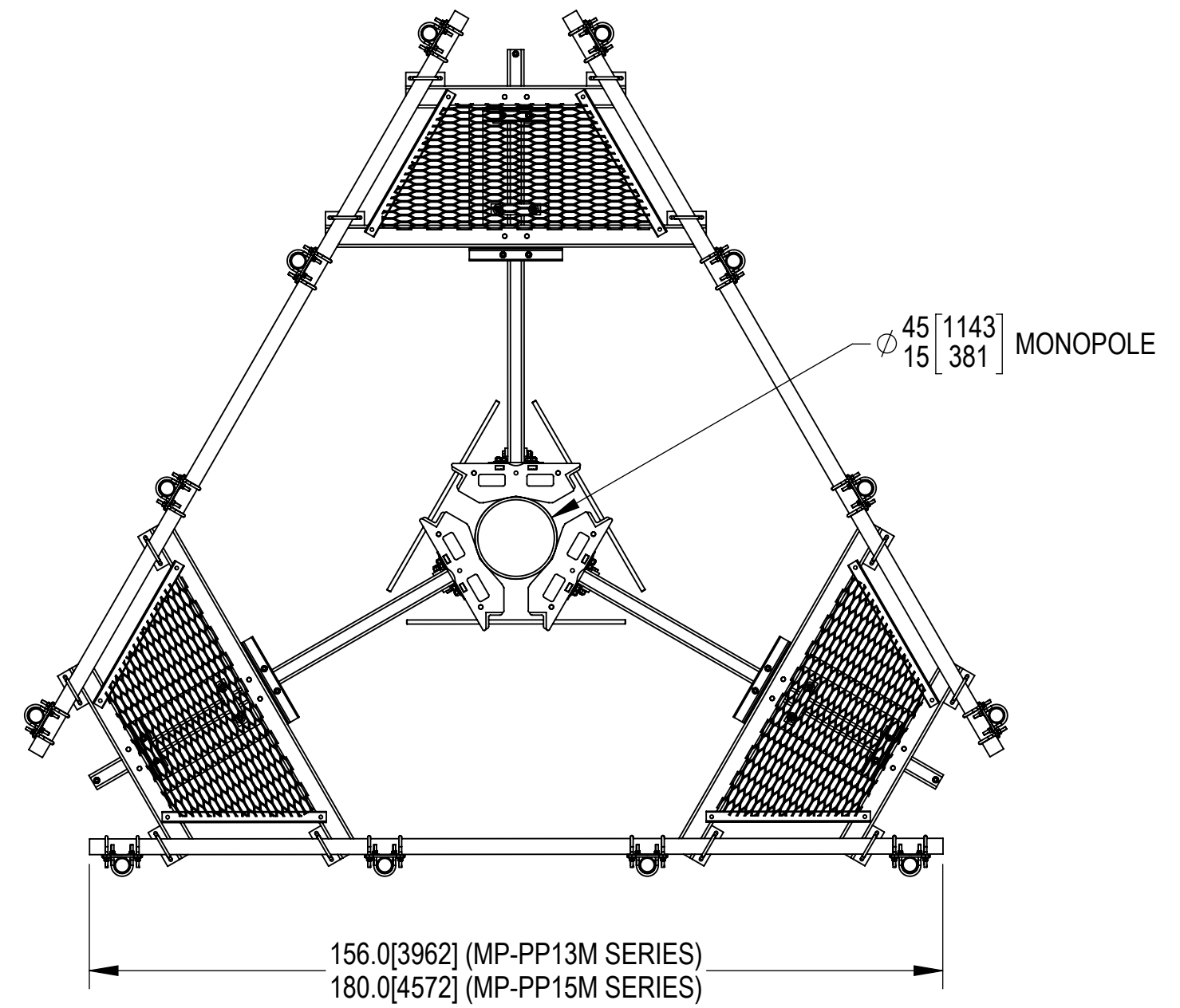


- 1.0 GENERAL NOTES  
 1.1 ALL METRIC DIMENSIONS ARE IN BRACKETS [X.X]  
 1.2 FOR PATENT INFO: <https://www.cs-pat.com>
- 2.0 DESIGN NOTES  
 2.1 ANY HAZARDS OR OBSTRUCTIONS TO THE CLIMBING FACILITY AND SAFETY CLIMB MUST BE IDENTIFIED PRIOR TO INSTALLING THE APPURTENANCE. ADDITIONAL PRODUCTS MAY BE REQUIRED TO MAINTAIN THE INTEGRITY OF THE SAFETY CLIMB. DURING INSTALLATION, TEMPORARY AND/OR PERMANENT PRECAUTIONARY MEASURES SHOULD BE TAKEN TO PRESERVE THE CLIMBING FACILITY AND/OR SAFETY CLIMB.  
 2.2 FITS MONOPOLES 15"-45" O.D.  
 2.3 ANTENNA PIPES SHOULD BE CENTERED AND EVENLY SPACED.  
 2.4 POSITION MOUNT OR ADJUST SAFETY CLIMB CABLE SO NOT TO HINDER OR DAMAGE OR OBSTRUCT THE SAFETY CLIMB. SAFETY CABLE ROUTING BRACKET MAY BE PURCHASED SEPARATELY.
- 3.0 MANUFACTURING/SPECIAL REQUIREMENTS  
 3.1 TIGHTEN ALL BOLTS SECURING FLAT PLATES BY THE TURN-OF-NUT METHOD. TIGHTEN ALL U-BOLTS USING TURN-OF-NUT METHOD WITH ATTENTION TO LEAVE EQUAL DISTANCE AND EQUAL FORCE ON EACH LEG OF THE U-BOLT. ALL FASTENERS SHOULD BE TIGHTENED PER AISC 6.5.2
- 4.0 TEST
- 5.0 PACKAGING  
 5.1 PACKAGING SHALL MEET COMMSCOPE REQUIREMENTS PER DOCUMENT IS-PL-3005  
 5.2 PRINTED DOCUMENT TO BE PLACED INSIDE POLYBAG AND THEN IN SHIPPING CONTAINER  
 5.3 EXTRA HARDWARE MAYBE SUPPLIED, BAGGED AND SHIPPED

REVISIONS			
REV.	DESCRIPTION	DATE	APPROVED
A	INITIAL RELEASE	JL1183 24OCT23	CB1094 40181861CMO



MP-PP13M-12C-96 SHOWN FOR REFERENCE  
 (SEE TABLE 1 FOR ALL CONFIGURATIONS)

COMMSCOPE, INC. OF NORTH CAROLINA											
TOLERANCES						SAP MATERIAL MASTER					
1 PLACE .X[X] ± 0.2[6.3]			3 PLACE .XXX[X] ± 0.060[1.5]								
2 PLACE .XX[X] ± 0.12[3.0]			ANGLES ± 2°								
FINISH						MATERIAL					
UNLESS OTHERWISE SPECIFIED DIMENSIONS ARE IN INCHES INTERPRET PER ANSI Y 14.5M-1994				NAME		DATE		TITLE			
				CE JL1183		31MAY23		MP 3-SECTORS W/HR SERIES			
				RW JL1183		11/14/2023					
				AD CB1094		11/15/2023		SCALE		DOCUMENT NO.	
				RE JL1183		11/15/2023		1:28		MP-PP	
ECN 40181861CMO				Auth Group		INSL		MODEL		DRAWING	
SIZE		C		VERSION		STATUS		REVISION		SHEET	
				00		RE		A		1 OF 19	

DENSITY	lbs/in <sup>3</sup>
MASS	lbs
VOLUME	in <sup>3</sup>
SURFACE AREA	in <sup>2</sup>
HEIGHT	
LENGTH	
WIDTH	

PART NUMBERS, WEIGHTS, & EPA

TABLE 1: CONFIGURATIONS

PART NUMBER	DESCRIPTION	WEIGHT (LBS)	(EPA)A (FT^2)*	(EPA)A 1/2" ICE THICKNESS (FT^2)*	ANTENNA PIPES	INCLUDED PARTS												
						MC-RMHD-1245-3	MC-AS-SB02	MC-AS-SB03	RK-48-3MK	MPPP-HK01	MT546156	MT546180	HRK-13-12-01	HRK-15-12-01	XP-2525-12	XP-2525-15	MT54696	MT-546-126
MP-PP13M-B	MP,13',3S,BASE-KIT,W/HR,15-45"-POLE	1786.7	29.99	38.05	-	1	1	-	1	1	3	-	1	-	-	-	-	-
MP-PP13M-12C-96	MP,13',3S,(12)2.88"X96"PIPE,W/HR	2539.2			12	1	1	-	1	1	3	-	1	-	2	-	12	-
MP-PP13M-12C-126	MP,13',3S,(12)2.88"X126"PIPE,W/HR	2720.2			12	1	1	-	1	1	3	-	1	-	2	-	-	12
MP-PP15M-B	MP,15',3S,BASE-KIT,W/HR,15-45"-POLE	2077.9	36.66	48.93	-	1	-	1	1	1	-	3	-	1	-	-	-	
MP-PP15M-12C-96	MP,15',3S,(12)2.88"X96"PIPE,W/HR	2830.3			12	1	-	1	1	1	-	3	-	1	2	-	12	-
MP-PP15M-12C-126	MP,15',3S,(12)2.88"X126"PIPE,W/HR	3011.4			12	1	-	1	1	1	-	3	-	1	2	-	-	12
MP-PP15M-15C-96	MP,15',3S,(15)2.88"X96"PIPE,W/HR	3018.4			15	1	-	1	1	1	-	3	-	1	-	2	15	-
MP-PP15M-15C-126	MP,15',3S,(15)2.88"X126"PIPE,W/HR	3244.7			15	1	-	1	1	1	-	3	-	1	-	2	-	15

\* (EPA)A DOES NOT INCLUDE ANTENNA PIPES AND MOUNTING HARDWARE. IF DESIRED, ADD ANTENNA PIPE PER TABLE 2

TABLE 2: EPA OF EACH ANTENNA PIPE

ANTENNA PIPE	(EPA)A (FT^2)	(EPA)A W/ 1/2" ICE THICKNESS (FT^2)
2-7/8" X 96"	1.84	2.48
2-7/8" X126"	2.42	3.26

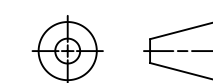
NOTE:

1. ANTENNA PIPES ARE CONSIDERED SEPARATELY.
2. KA FACTOR OF 3-SECTOR EPA INCLUDED.
3. COMBINE THE ASSOCIATED EPA VALUES IN THE TABLES ABOVE TO DETERMINE THE EPA OF A MOUNT MODEL WITH A LISTED MOUNT PIPE CONFIGURATION. FOR EXAMPLE, MP-PP13M-12C-96 HAS A 3-SECTOR EPA OF 29.99 FT2 WITH NO ICE PLUS 12 ANTENNA PIPES WITH A 3-SECTOR EPA OF 12X1.84=22.08 FT2 WITH NO ICE. SO, THE TOTAL EPA OF 52.07 FT2 FOR THE MP-PP13M-12C-96

COMMScope, INC. OF NORTH CAROLINA

TITLE  
MP 3-SECTORS W/HR SERIES

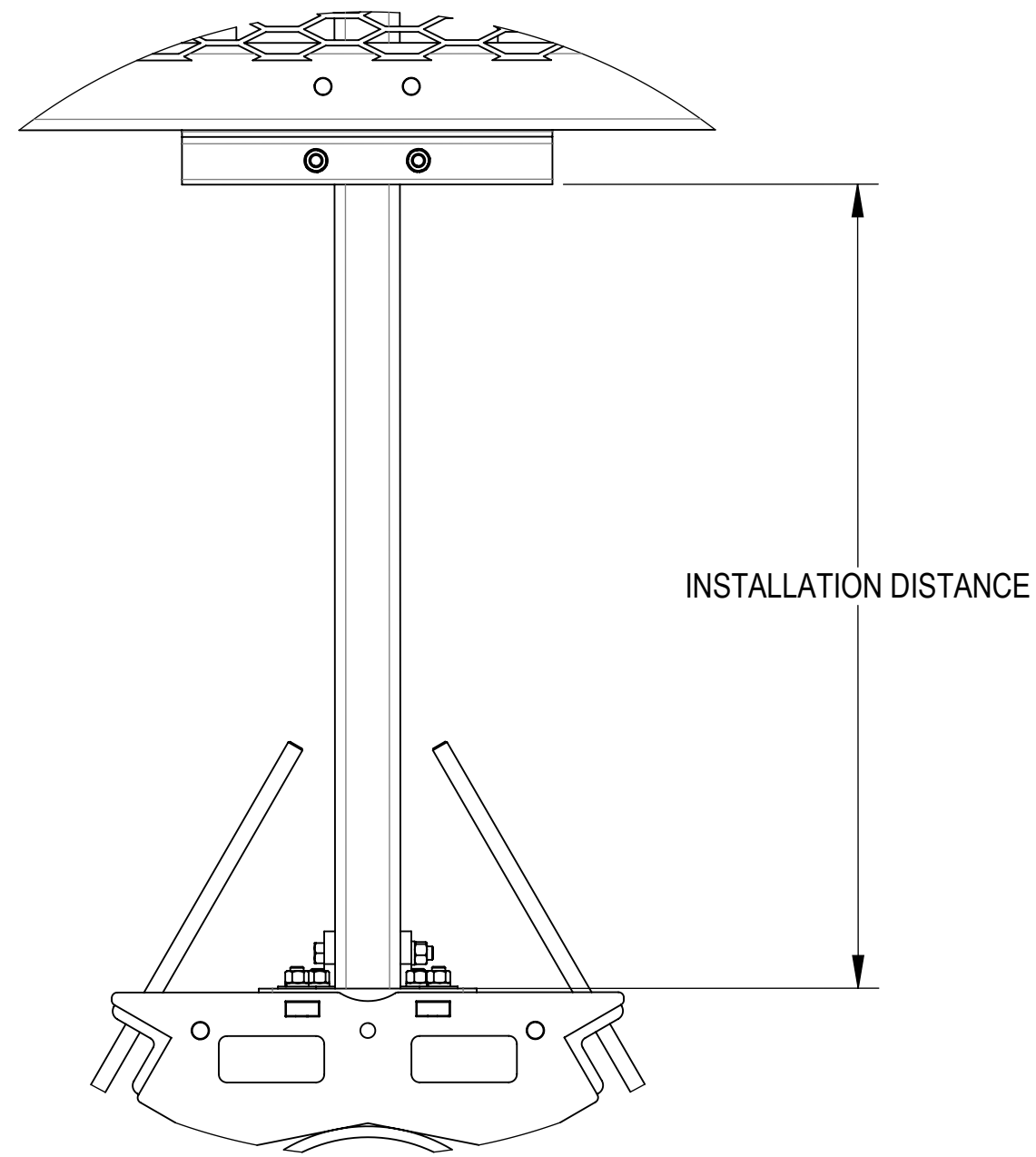
SIZE: C SCALE: 1:48 DOCUMENT NO.: MP-PP



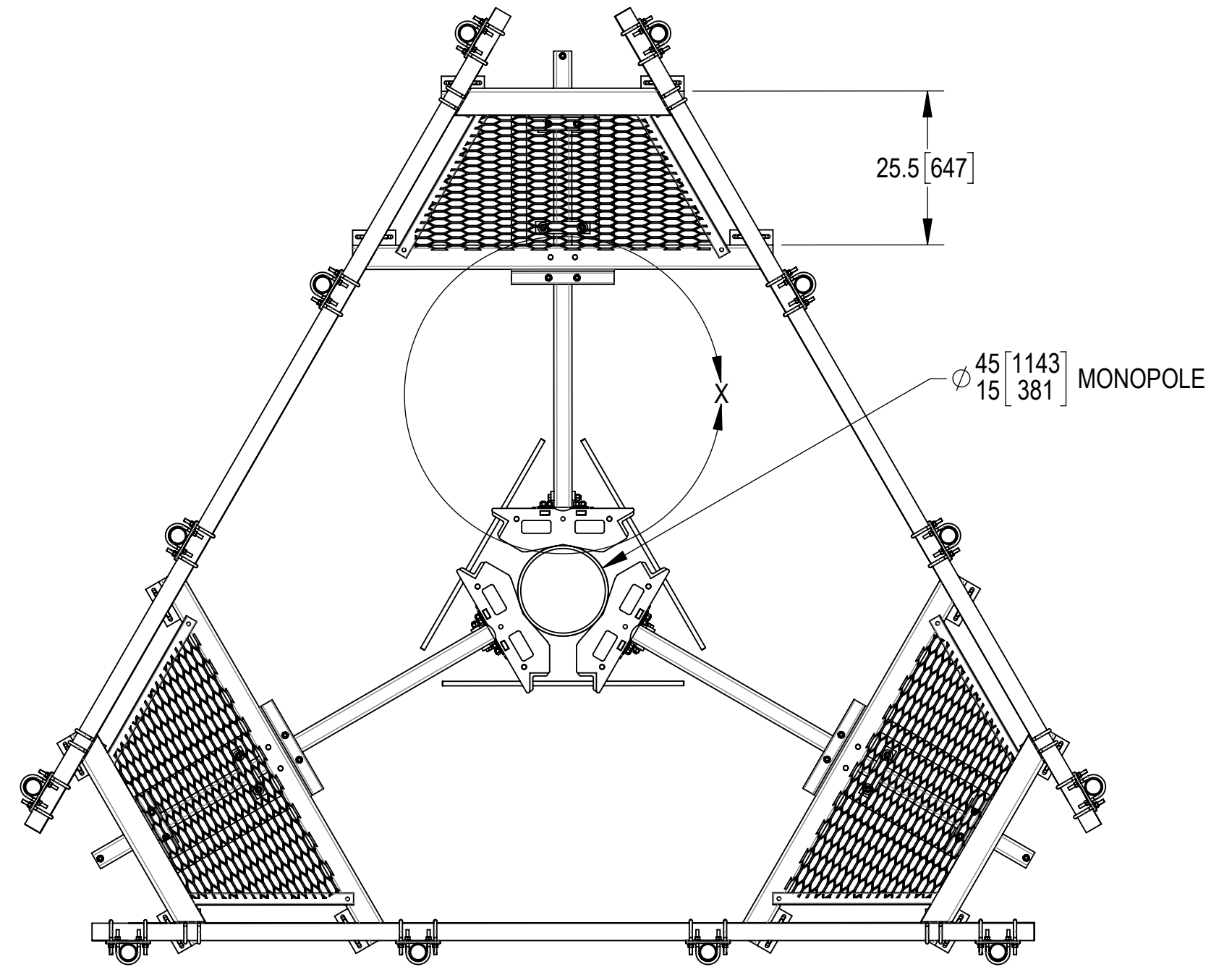
DRAWING			SHEET 2 OF 19
VERSION	STATUS	REVISION	
00	RE	A	

# MP-PP13M SERIES PLATFORM FOR INSTALLATION

ADJUST THE INSTALLATION DISTANCE ACCORDING TO THE DIAMETER OF THE MONOPOLE WHEN INSTALL PLATFORM MC-AS-4000-00.  
SEE TABLE 3 DETAIL FOR THE DISTANCE ADJUSTED.



DETAIL X  
SCALE 1 : 8



MP-PP13M-12C-96 SHOWN FOR REFERENCE  
(SEE TABLE 1 FOR ALL CONFIGURATIONS)

TABLE 3: PLATFORM INSTALLATION POSITION

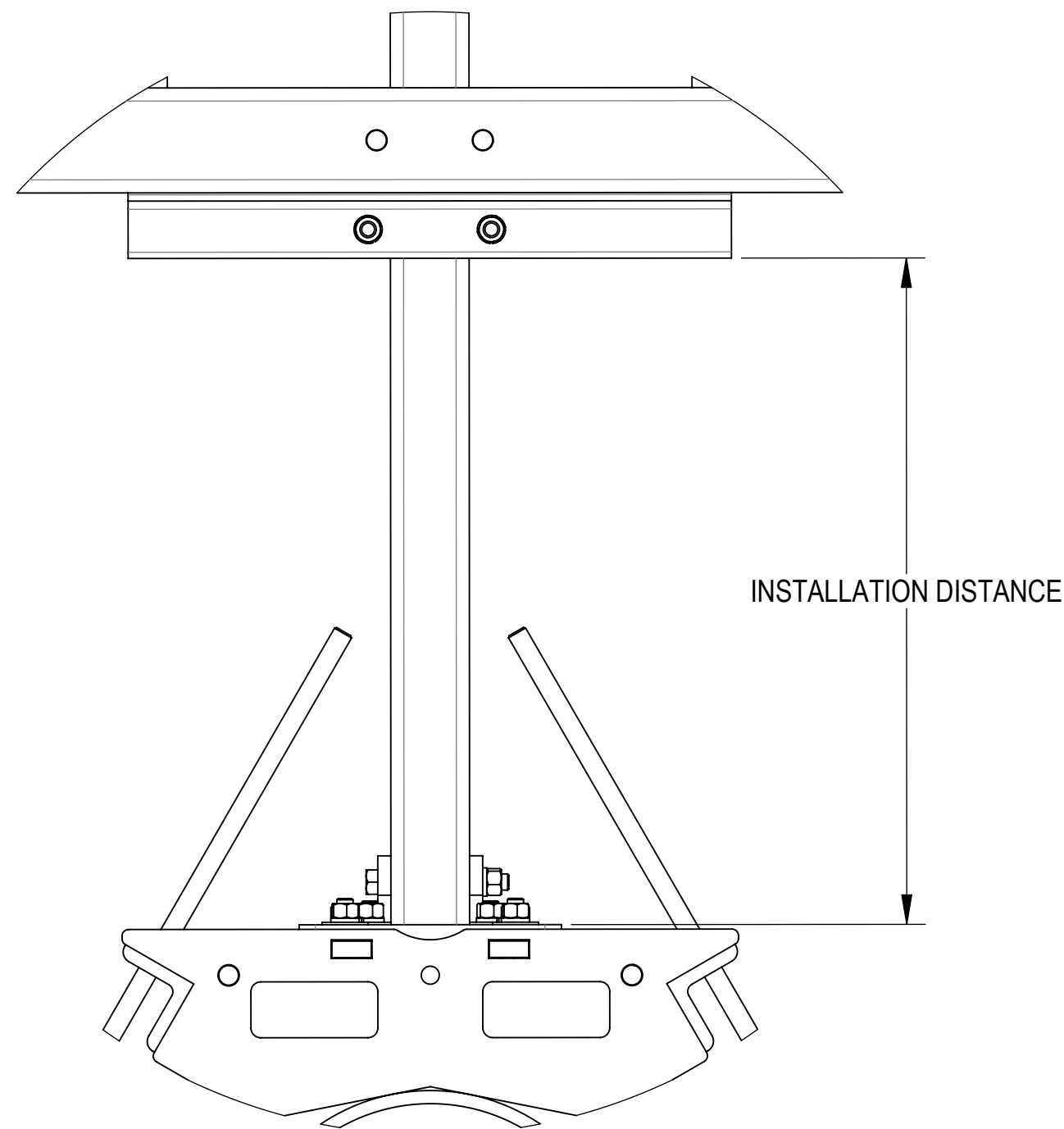
DIAMETER OF MONOPOLE (INCH)	DISATNCE (INCH)	DIAMETER OF MONOPOLE (MM)	DISATNCE (MM)
15	36.89	381.0	937.0
17.5	35.62	444.5	904.7
20	34.34	508.0	872.2
22.5	33.07	571.5	840.0
25	31.79	635.0	807.5
27.5	30.52	698.5	775.2
30	29.24	762.0	742.7
32.5	27.97	825.5	710.4
35	26.70	889.0	678.2
37.5	25.42	952.5	645.7
40	24.15	1016.0	613.4
42.5	22.87	1079.5	580.9
45	21.60	1143.0	548.6

NOTE: FOR MONOPOLE DIAMETERS THAT ARE NOT IN THE TABLE, USE BELOW FORMULA TO GET THE VALUE OF THE ADJUSTMENT:  
DISTANCE OF ADJUSTMENT = 44.54 - 0.51\*D (INCH), WHERE D(INCH) IS THE DIAMETER OF MONOPOLE

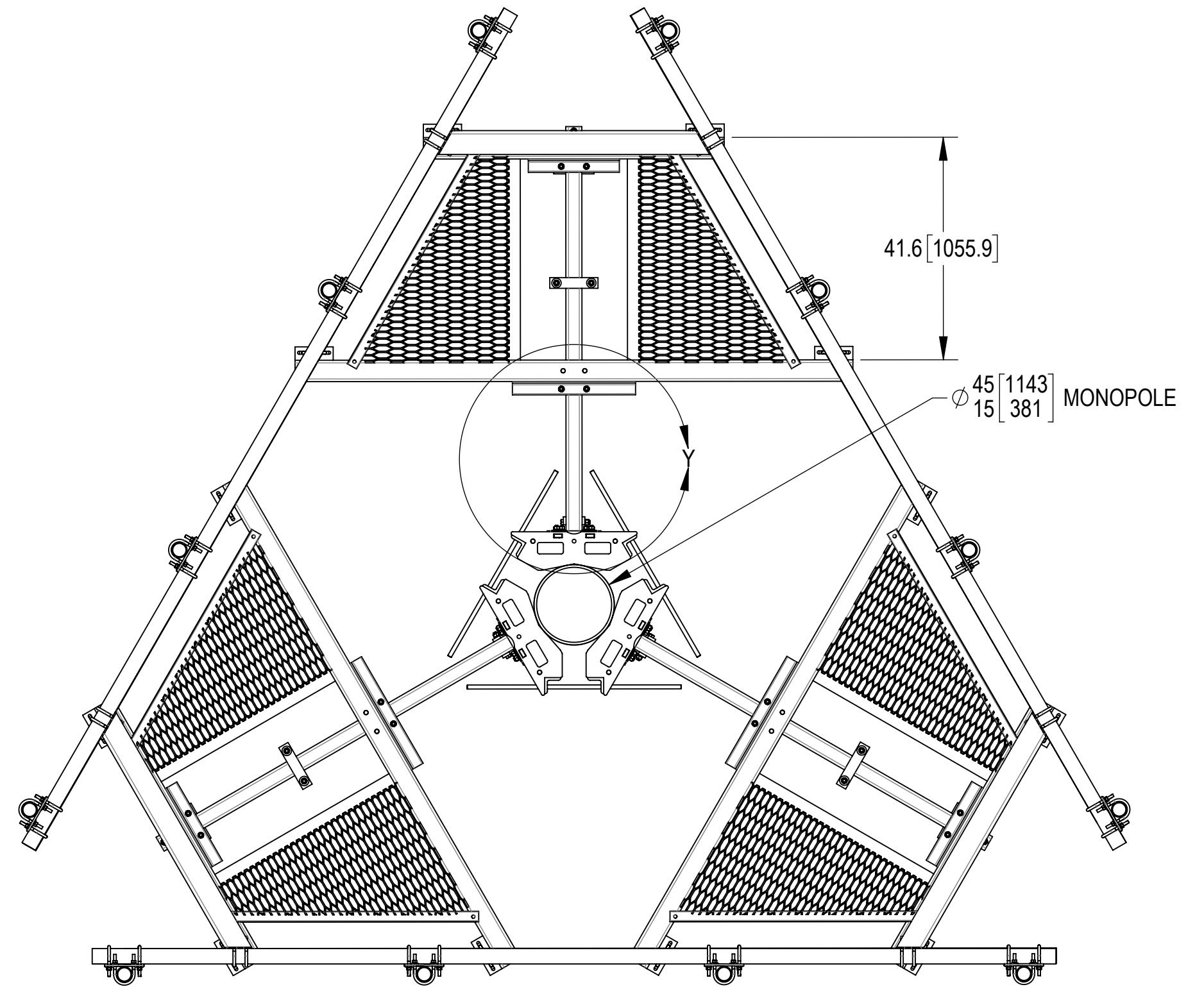
COMMSCOPE, INC. OF NORTH CAROLINA				
TITLE MP 3-SECTORS W/HR SERIES				
SIZE C	SCALE 1:23	DOCUMENT NO. MP-PP		
DRAWING		VERSION	STATUS	REVISION
		00	RE	A
				SHEET 3 OF 19

# MP-PP15M SERIES PLATFORM FOR INSTALLATION

ADJUST THE INSTALLATION DISTANCE ACCORDING TO THE DIAMETER OF THE MONOPOLE WHEN INSTALL PLATFORM MC-AS-7000-00.  
SEE TABLE 4 DETAIL FOR THE DISTANCE ADJUSTED.



DETAIL Y  
SCALE 1 : 6



### TABLE 4: PLATFORM INSTALLATION POSITION

DIAMETER OF MONOPOLE (INCH)	DISATNCE (INCH)	DIAMETER OF MONOPOLE (MM)	DISATNCE (MM)
15	25.40	381.0	645.2
17.5	24.13	444.5	612.9
20	22.85	508.0	580.4
22.5	21.58	571.5	548.1
25	20.30	635.0	515.6
27.5	19.03	698.5	483.4
30	17.75	762.0	450.9
32.5	16.48	825.5	418.6
35	15.21	889.0	386.3
37.5	13.93	952.5	353.8
40	12.66	1016.0	321.6
42.5	11.38	1079.5	289.1
45	10.11	1143.0	256.8

MP-PP15M-12C-96 SHOWN FOR REFERENCE  
(SEE TABLE 1 FOR ALL CONFIGURATIONS)

NOTE: FOR MONOPOLE DIAMETERS THAT ARE NOT IN THE TABLE, USE BELOW FORMULA TO GET THE VALUE OF THE ADJUSTMENT:  
DISTANCE OF ADJUSTMENT = 33.05- 0.51\*D (INCH), WHERE D(INCH) IS THE DIAMETER OF MONOPOLE

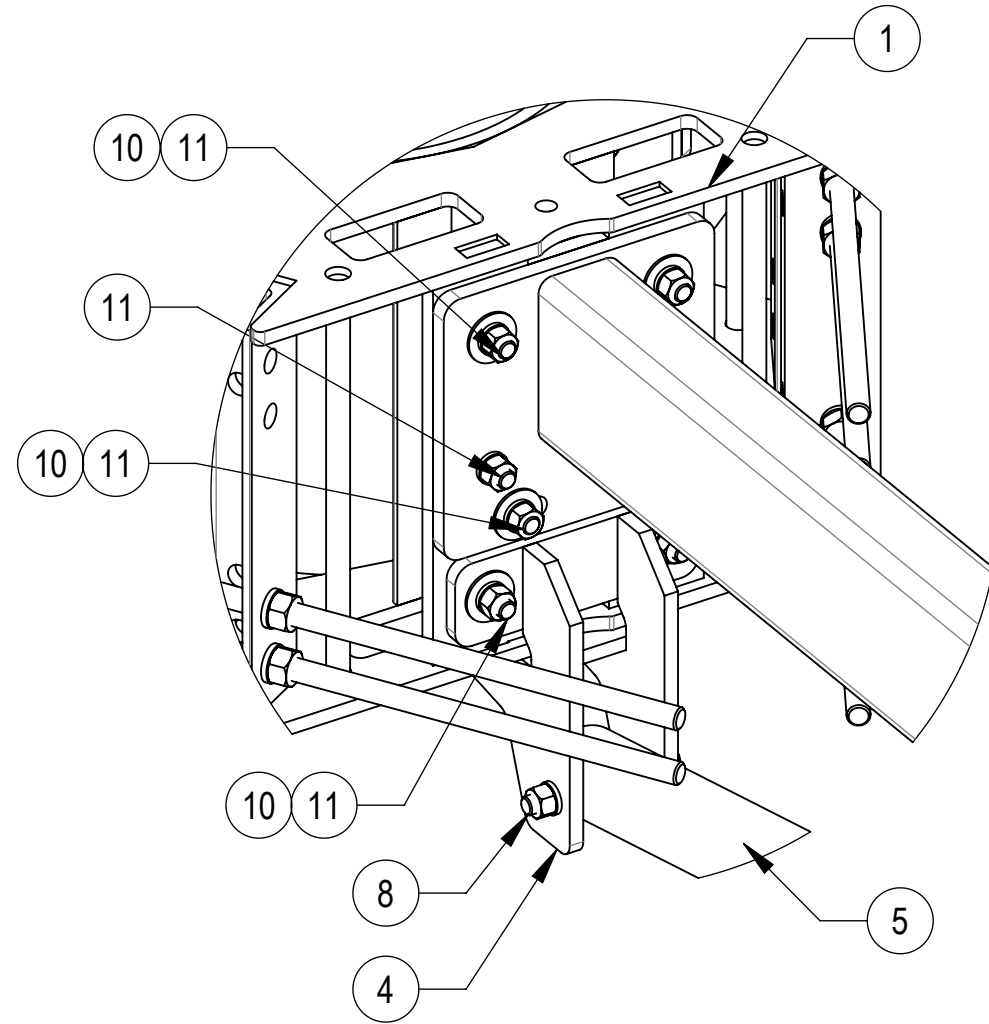
COMMSCOPE, INC. OF NORTH CAROLINA

TITLE  
MP 3-SECTORS W/HR SERIES

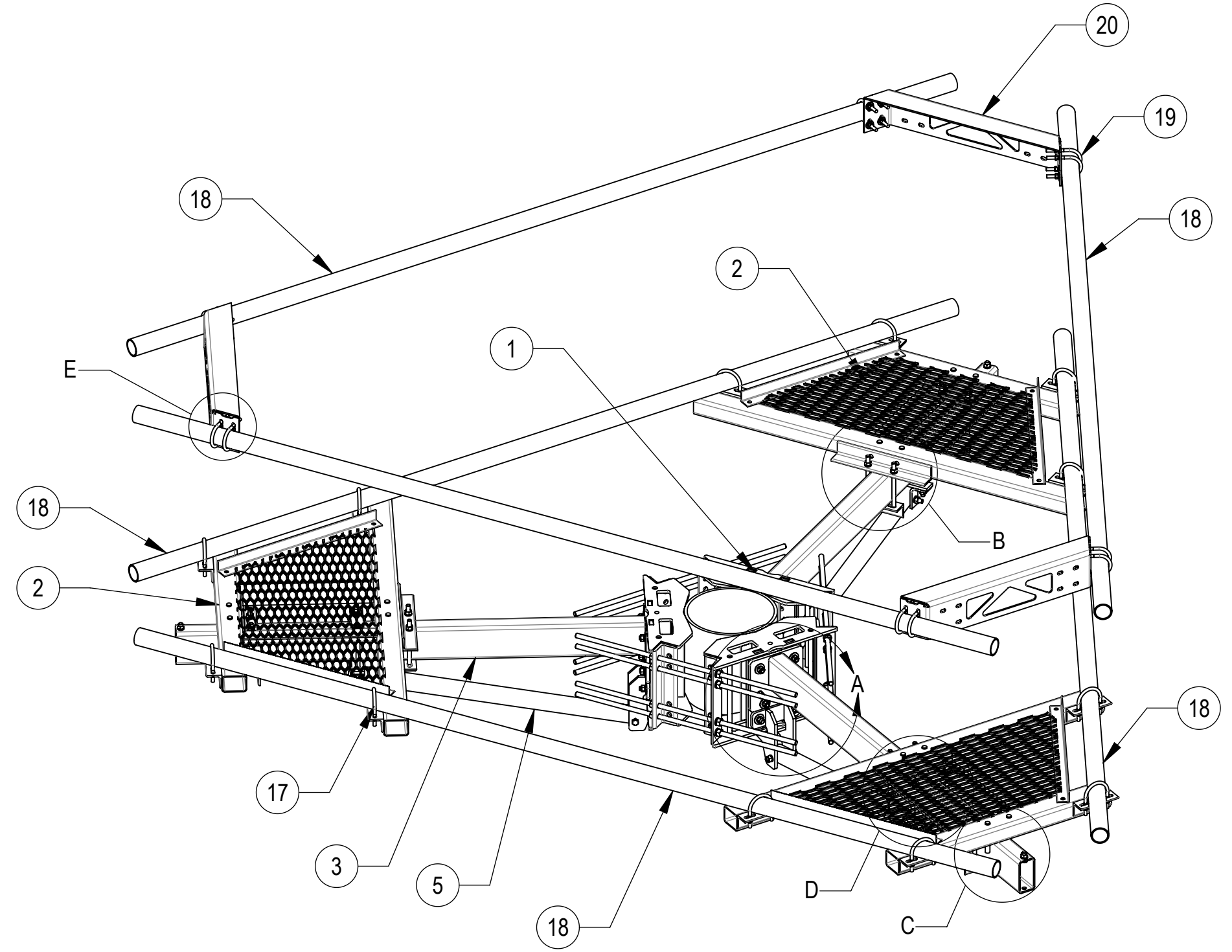
SIZE <b>C</b>	SCALE <b>1:23</b>	DOCUMENT NO. <b>MP-PP</b>
------------------	----------------------	------------------------------

DRAWING	SHEET	
	VERSION	STATUS
00	RE	REVISION
		A
		4 OF 19

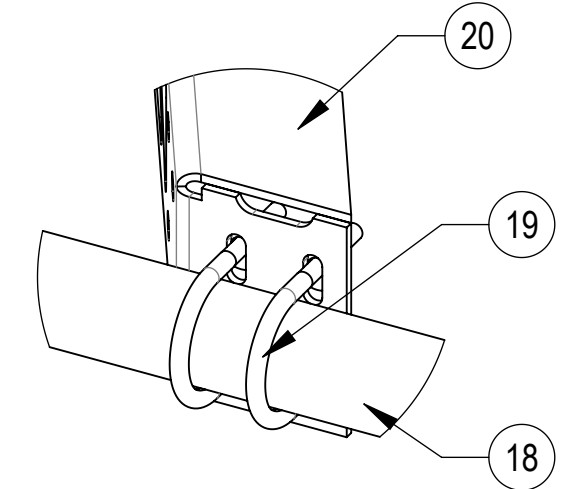
# COMPONENTS FOR INSTALLATION MP-PP13M-B SHOWN



DETAIL A  
SCALE 1 : 6



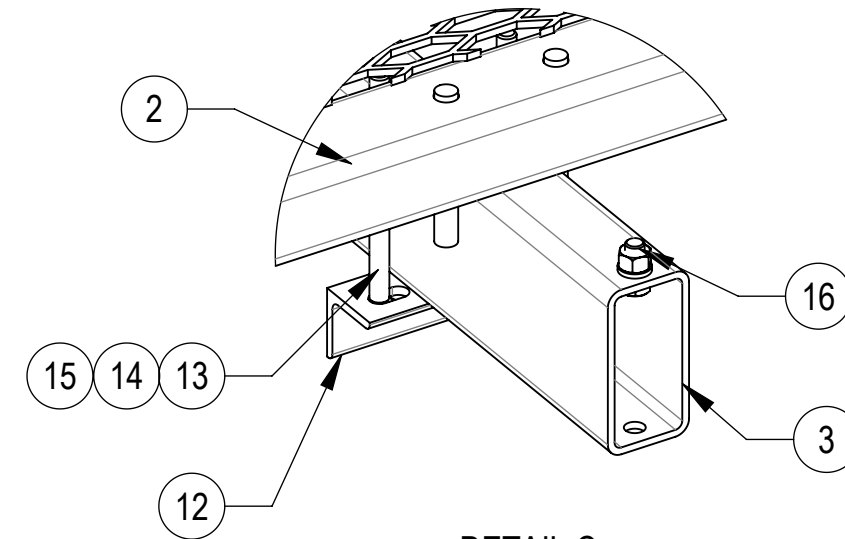
DETAIL C  
SCALE 1 : 6



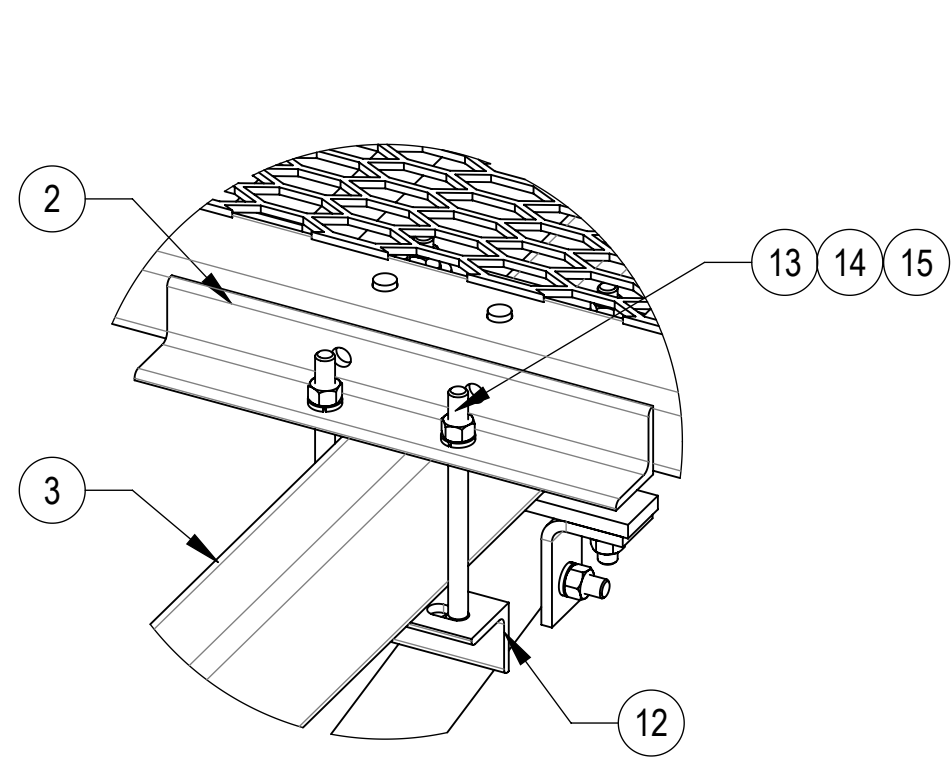
DETAIL E  
SCALE 1 : 5

COMPONENT PART NUMBERS PROVIDED FOR ASSEMBLY PURPOSES;  
INDIVIDUAL COMPONENTS MAY BE SHIPPED AS PARTS WITHIN AN INCLUDED KIT.

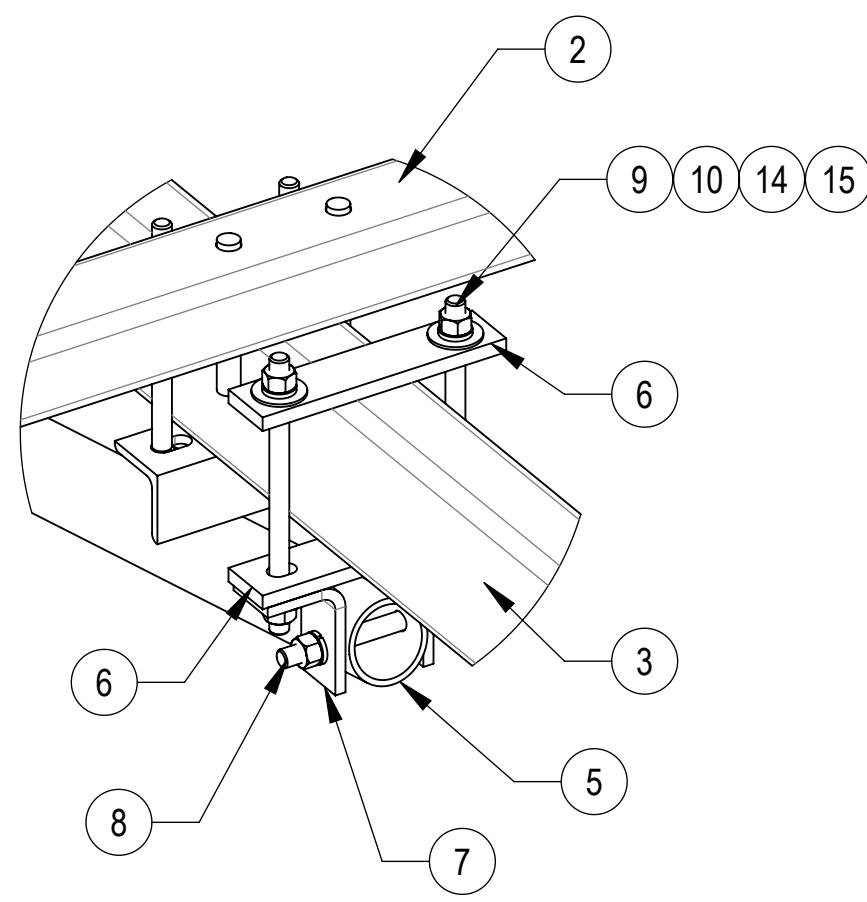
ITEM NO.	PART NUMBER	DESCRIPTION	QTY.	WEIGHT
1	MC-RMHD-1245-3	3 SECTOR RING MOUNT, 12"-45" POLE	1	329.19 LBS
2	MC-AS-4000-00	WELDMENT, CO-LOCATION PLATFORM DECK	3	142.23 LBS
3	MC-AS-5000-00	WELDMENT, MONO PLATF SPINDLE	3	101.74 LBS
4	MC-AS-6100-00	WELDMENT, MINI KICKER BRACKET	3	14.77 LBS
5	RK48-00	MINI KICKER ARM SUPPORT TUBE 48"	3	22.96 LBS
6	MTC323704	CLAMP BAR	6	2.37 LBS
7	RK02	CONNECTION BRACKET	6	1.21 LBS
8	GB-0550A	5/8" X 5" GALV BOLT KIT (A325)	6	0.52 LBS
9	MT-381-10	5/8" X 10" GALV THREADED ROD	6	0.86 LBS
10	GWF-05	5/8" GALV FLAT WASHER, 1.7OD	39	0.06 LBS
11	GB-0522A	5/8" X 2-1/4" GALV BOLT KIT (A325)	27	0.28 LBS
12	MC-AS-1200-00	CLAMP PLATE, CO-LOCATION PLATFORM	6	2.93 LBS
13	9615-14	BOLT,CARRIAGE,5/8-11,8.5,STL GALV	12	0.82 LBS
14	GWL-05	5/8" GALV LOCK WASHER	24	0.03 LBS
15	GN-05	5/8" GALV HEX NUT	24	0.08 LBS
16	GB-05125	5/8" X 1-1/4" GALV BOLT KIT	3	0.20 LBS
17	GUB-4355	1/2" X 3-5/8" X 5" GALV U-BOLT	12	0.71 LBS
18	MT546156	2.875" O.D. X 156" PIPE	6	75.58 LBS
19	GUB-4352	1/2" X 3" X 5-1/4" GALV U-BOLT	12	0.71 LBS
20	MC-AS-6200-00	CORNER WELDMEMT, HANDRAIL	3	23.91 LBS



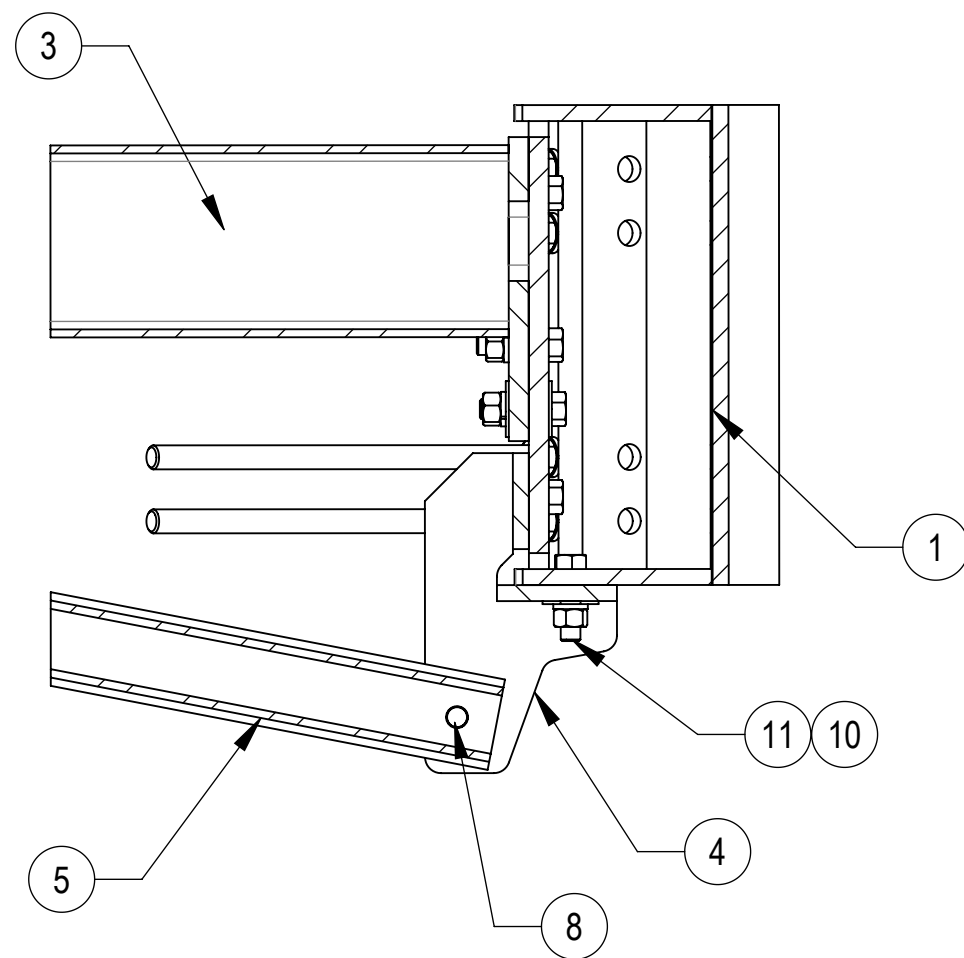
COMMSCOPE, INC. OF NORTH CAROLINA				
TITLE MP 3-SECTORS W/HR SERIES				
SIZE C	SCALE 1:20	DOCUMENT NO. MP-PP		
DRAWING		SHEET		
VERSION 00	STATUS RE	REVISION A	5 OF 19	



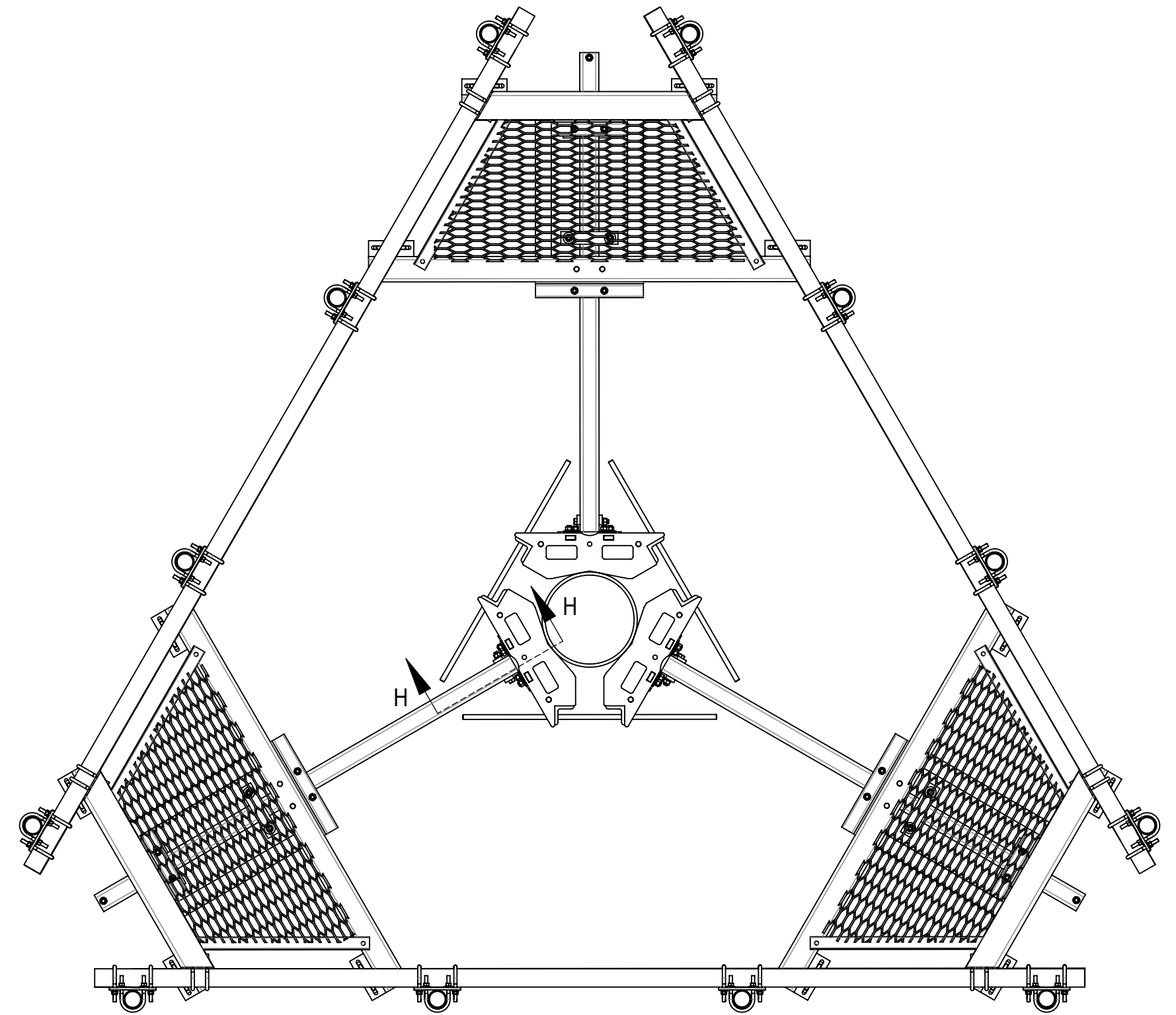
DETAIL B  
SCALE 1 : 6

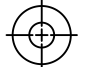
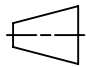


DETAIL D  
SCALE 1 : 6



SECTION H-H  
SCALE 1 : 6



COMMSCOPE, INC. OF NORTH CAROLINA					
TITLE MP 3-SECTORS W/HR SERIES					
SIZE C	SCALE 1:20	DOCUMENT NO. MP-PP			
 		DRAWING			SHEET 6 OF 19
		VERSION 00	STATUS RE	REVISION A	

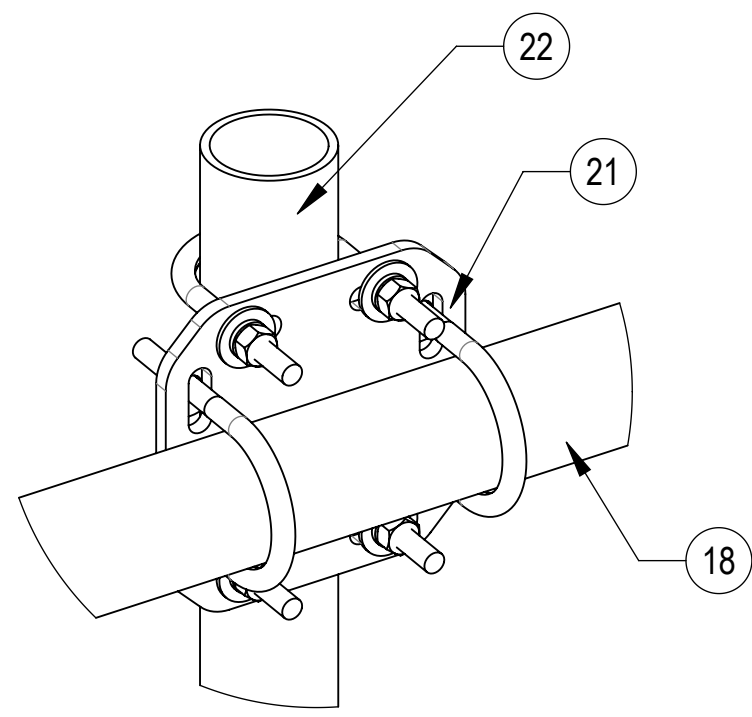
4

3

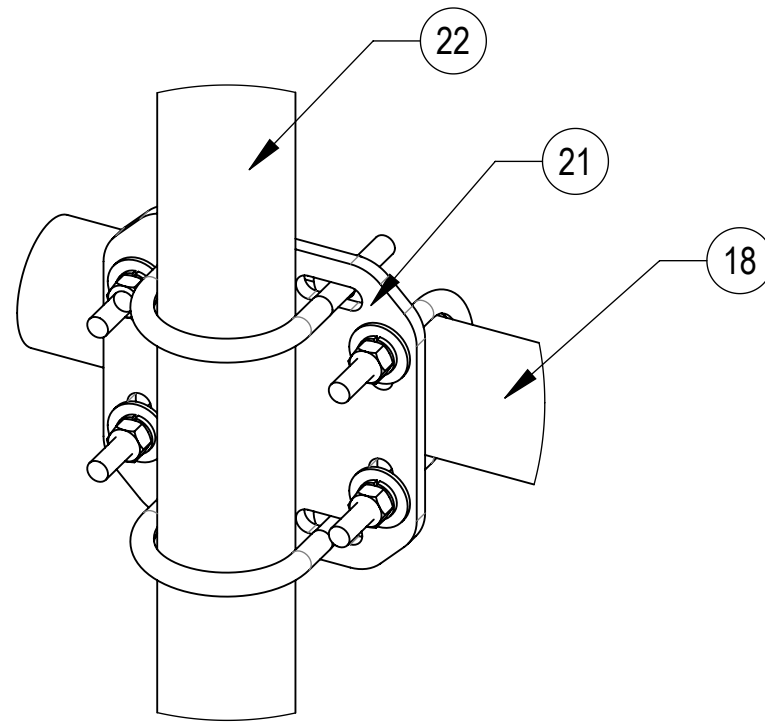
2

1

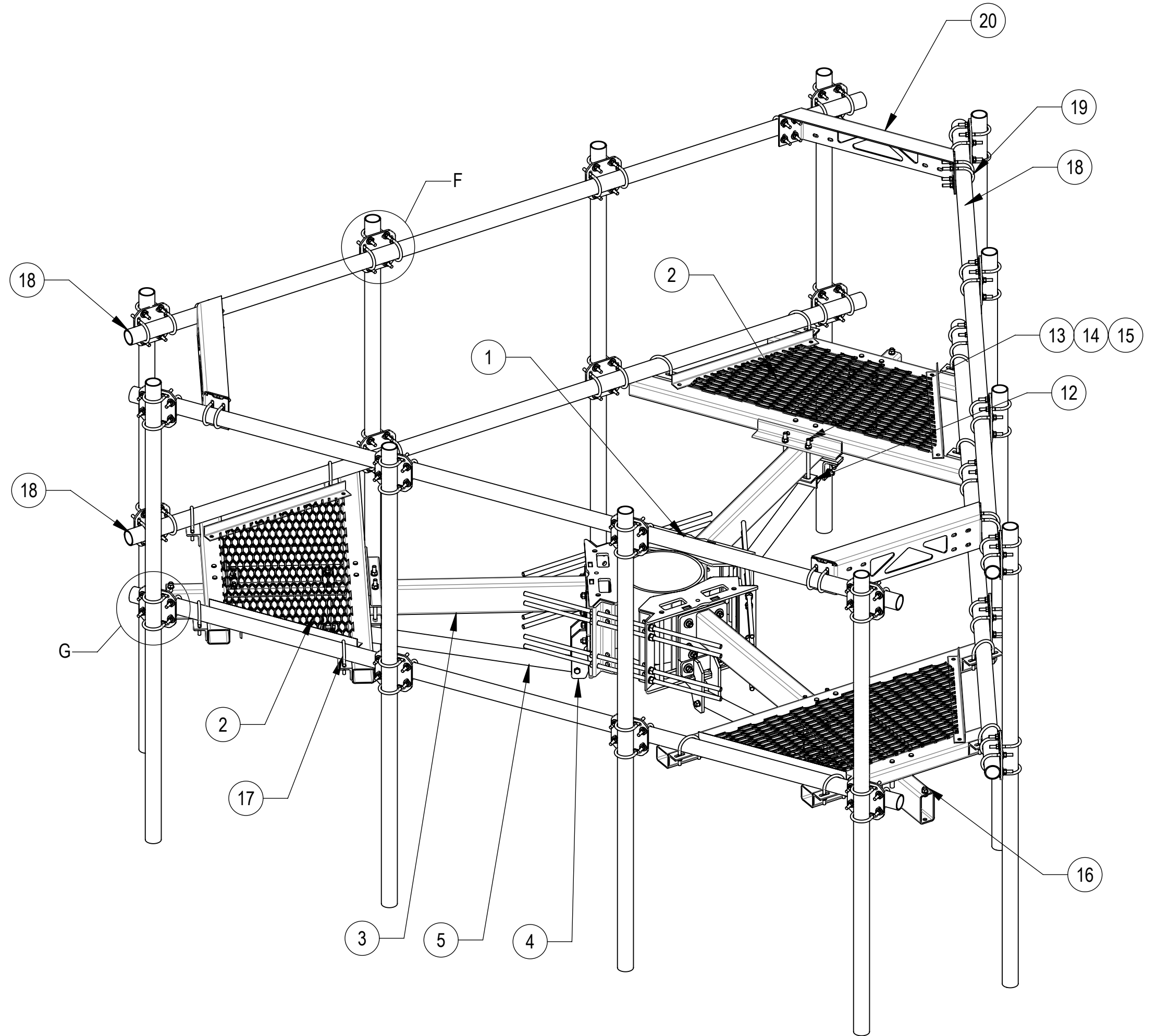
# COMPONENTS FOR INSTALLATION MP-PP13M-12C-96 SHOWN



DETAIL F  
SCALE 1 : 4



DETAIL G  
SCALE 1 : 4



COMPONENT PART NUMBERS PROVIDED FOR ASSEMBLY PURPOSES;  
INDIVIDUAL COMPONENTS MAY BE SHIPPED AS PARTS WITHIN AN INCLUDED KIT.

ITEM NO.	PART NUMBER	DESCRIPTION	QTY.	WEIGHT
1	MC-RMHD-1245-3	3 SECTOR RING MOUNT, 12"-45" POLE	1	329.19 LBS
2	MC-AS-4000-00	WELDMENT, CO-LOCATION PLATFORM DECK	3	142.23 LBS
3	MC-AS-5000-00	WELDMENT, MONO PLATF SPINDLE	3	101.74 LBS
4	MC-AS-6100-00	WELDMENT, MINI KICKER BRACKET	3	14.77 LBS
5	RK48-00	MINI KICKER ARM SUPPORT TUBE 48"	3	22.96 LBS
6	MTC323704	CLAMP BAR	6	2.37 LBS
7	RK02	CONNECTION BRACKET	6	1.21 LBS
8	GB-0550A	5/8" X 5" GALV BOLT KIT (A325)	6	0.52 LBS
9	MT-381-10	5/8" X 10" GALV THREADED ROD	6	0.86 LBS
10	GWF-05	5/8" GALV FLAT WASHER, 1.7OD	39	0.06 LBS
11	GB-0522A	5/8" X 2-1/4" GALV BOLT KIT (A325)	27	0.28 LBS
12	MC-AS-1200-00	CLAMP PLATE, CO-LOCATION PLATFORM	6	2.93 LBS
13	9615-14	BOLT, CARRIAGE, 5/8-11, 8.5, STL GALV	12	0.82 LBS
14	GWL-05	5/8" GALV LOCK WASHER	24	0.03 LBS
15	GN-05	5/8" GALV HEX NUT	24	0.08 LBS
16	GB-05125	5/8" X 1-1/4" GALV BOLT KIT	3	0.20 LBS
17	GUB-4355	1/2" X 3-5/8" X 5" GALV U-BOLT	12	0.71 LBS
18	MT546156	2.875" O.D. X 156" PIPE	6	75.58 LBS
19	GUB-4352	1/2" X 3" X 5-1/4" GALV U-BOLT	12	0.71 LBS
20	MC-AS-6200-00	CORNER WELDMEMT, HANDRAIL	3	23.91 LBS
21	XP-2525	CROSSOVER PLATE KIT, 2-7/8 OD X 2-7/8 OD	24	8.37 LBS
22	MT54696	PIPE, 2.875"OD X 96"	12	45.96 LBS

COMMSCOPE, INC. OF NORTH CAROLINA				
TITLE MP 3-SECTORS W/HR SERIES				
SIZE C	SCALE 1:20	DOCUMENT NO. MP-PP		
DRAWING		VERSION	STATUS	REVISION
SHEET		00	RE	A
7 OF 19				

4

3

2

1

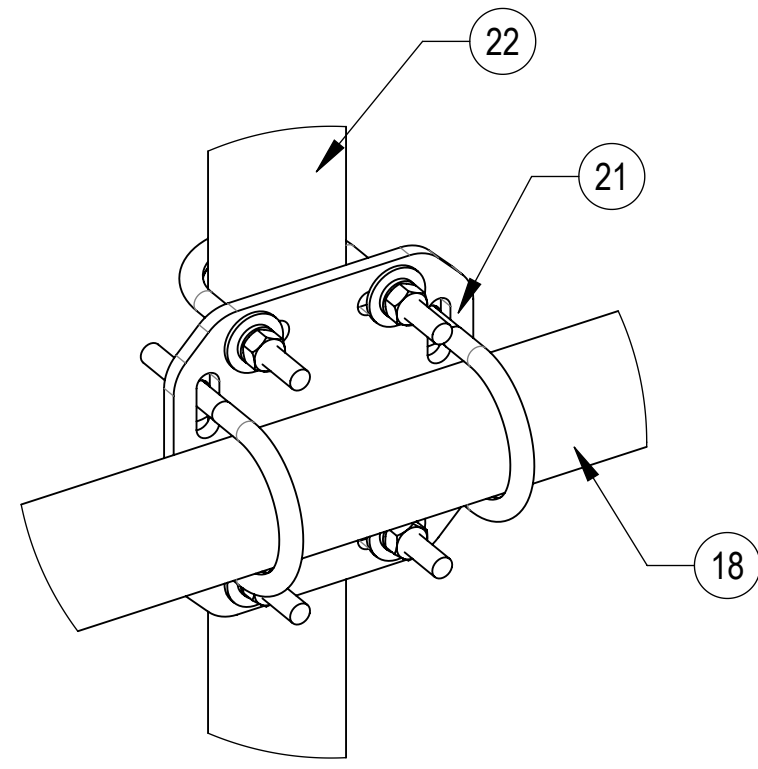
4

3

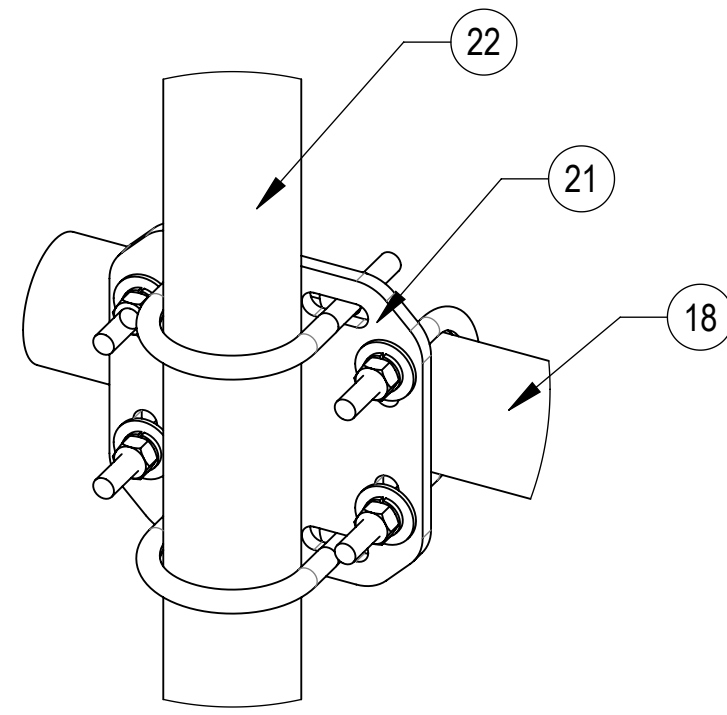
2

1

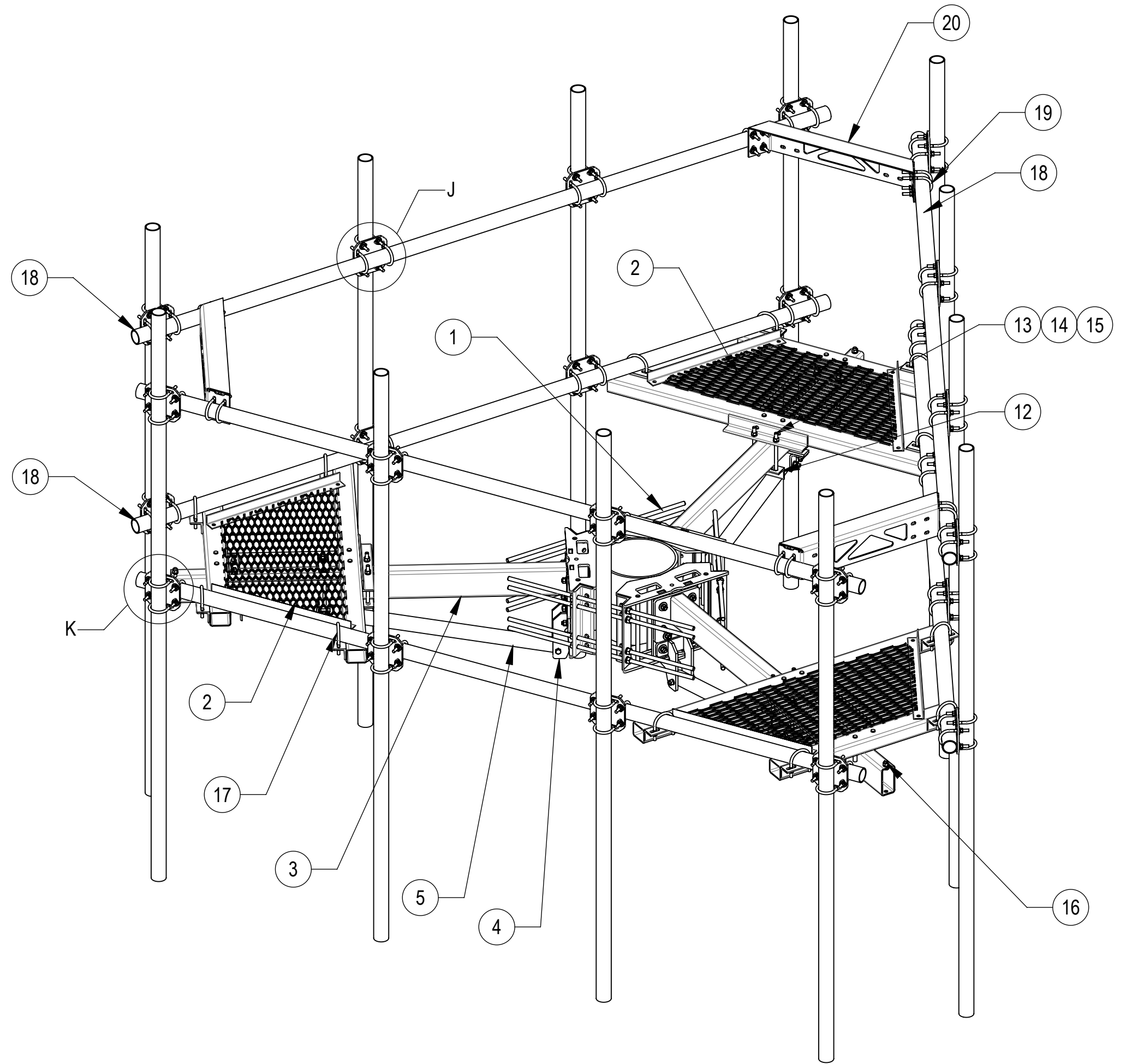
# COMPONENTS FOR INSTALLATION MP-PP13M-12C-126 SHOWN



DETAIL J  
SCALE 1 : 4



DETAIL K  
SCALE 1 : 4



COMPONENT PART NUMBERS PROVIDED FOR ASSEMBLY PURPOSES;  
INDIVIDUAL COMPONENTS MAY BE SHIPPED AS PARTS WITHIN AN INCLUDED KIT.

ITEM NO.	PART NUMBER	DESCRIPTION	QTY.	WEIGHT
1	MC-RMHD-1245-3	3 SECTOR RING MOUNT, 12"-45" POLE	1	329.19 LBS
2	MC-AS-4000-00	WELDMENT, CO-LOCATION PLATFORM DECK	3	142.23 LBS
3	MC-AS-5000-00	WELDMENT, MONO PLATF SPINDLE	3	101.74 LBS
4	MC-AS-6100-00	WELDMENT, MINI KICKER BRACKET	3	14.77 LBS
5	RK48-00	MINI KICKER ARM SUPPORT TUBE 48"	3	22.96 LBS
6	MTC323704	CLAMP BAR	6	2.37 LBS
7	RK02	CONNECTION BRACKET	6	1.21 LBS
8	GB-0550A	5/8" X 5" GALV BOLT KIT (A325)	6	0.52 LBS
9	MT-381-10	5/8" X 10" GALV THREADED ROD	6	0.86 LBS
10	GWF-05	5/8" GALV FLAT WASHER, 1.7OD	39	0.06 LBS
11	GB-0522A	5/8" X 2-1/4" GALV BOLT KIT (A325)	27	0.28 LBS
12	MC-AS-1200-00	CLAMP PLATE, CO-LOCATION PLATFORM	6	2.93 LBS
13	9615-14	BOLT, CARRIAGE, 5/8-11, 8.5, STL GALV	12	0.82 LBS
14	GWL-05	5/8" GALV LOCK WASHER	24	0.03 LBS
15	GN-05	5/8" GALV HEX NUT	24	0.08 LBS
16	GB-05125	5/8" X 1-1/4" GALV BOLT KIT	3	0.20 LBS
17	GUB-4355	1/2" X 3-5/8" X 5" GALV U-BOLT	12	0.71 LBS
18	MT546156	2.875" O.D. X 156" PIPE	6	75.58 LBS
19	GUB-4352	1/2" X 3" X 5-1/4" GALV U-BOLT	12	0.71 LBS
20	MC-AS-6200-00	CORNER WELDMEMT, HANDRAIL	3	23.91 LBS
21	XP-2525	CROSSOVER PLATE KIT, 2-7/8 OD X 2-7/8 OD	24	8.37 LBS
22	MT-546-126	PIPE, 2.875"OD X 126"	12	61.05 LBS

COMMSCOPE, INC. OF NORTH CAROLINA				
TITLE MP 3-SECTORS W/HR SERIES				
SIZE C	SCALE 1:20	DOCUMENT NO. MP-PP		
DRAWING		VERSION	STATUS	REVISION
		00	RE	A
				SHEET 8 OF 19

© 2023 CommScope, Inc. Confidential

4

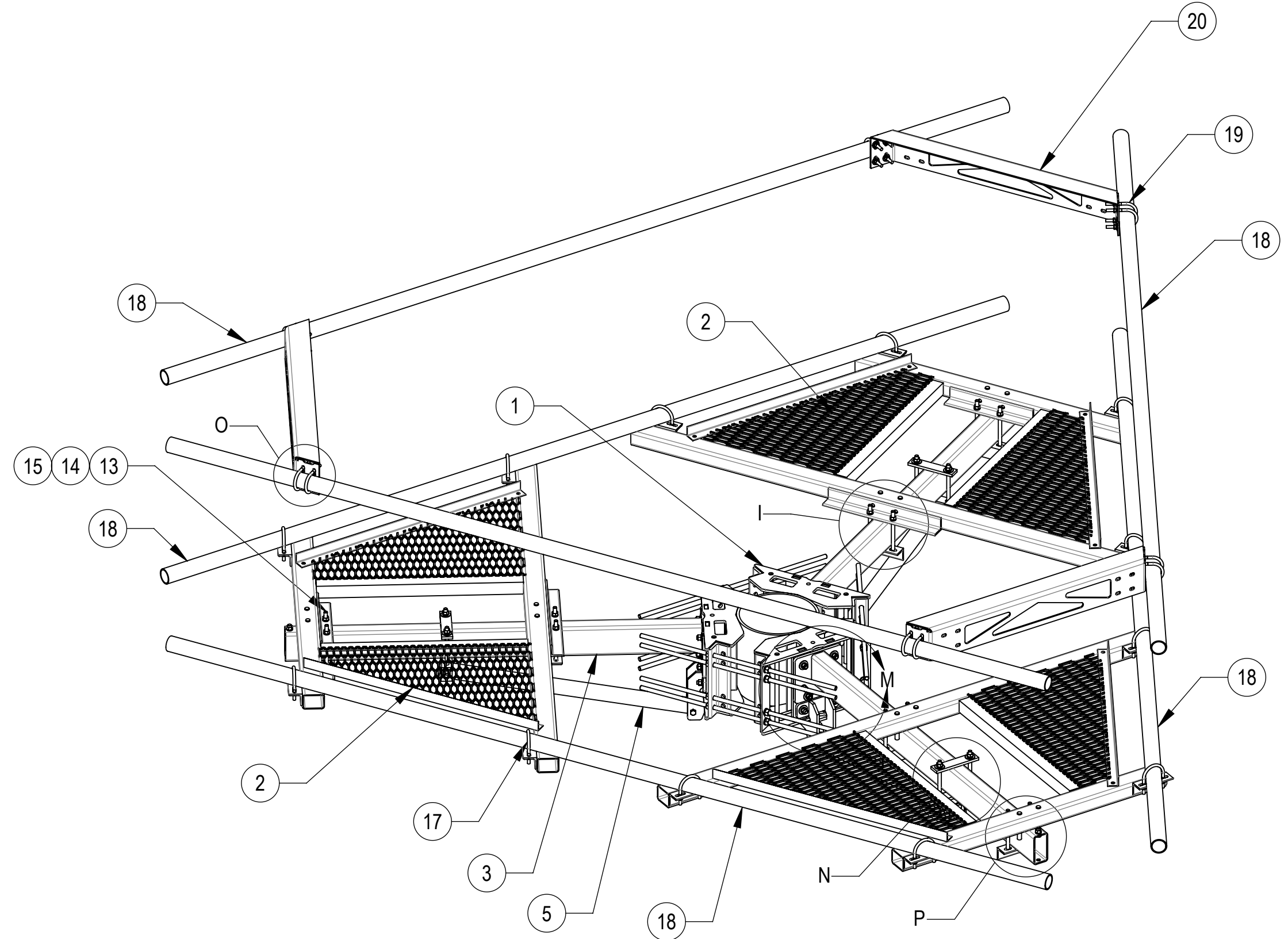
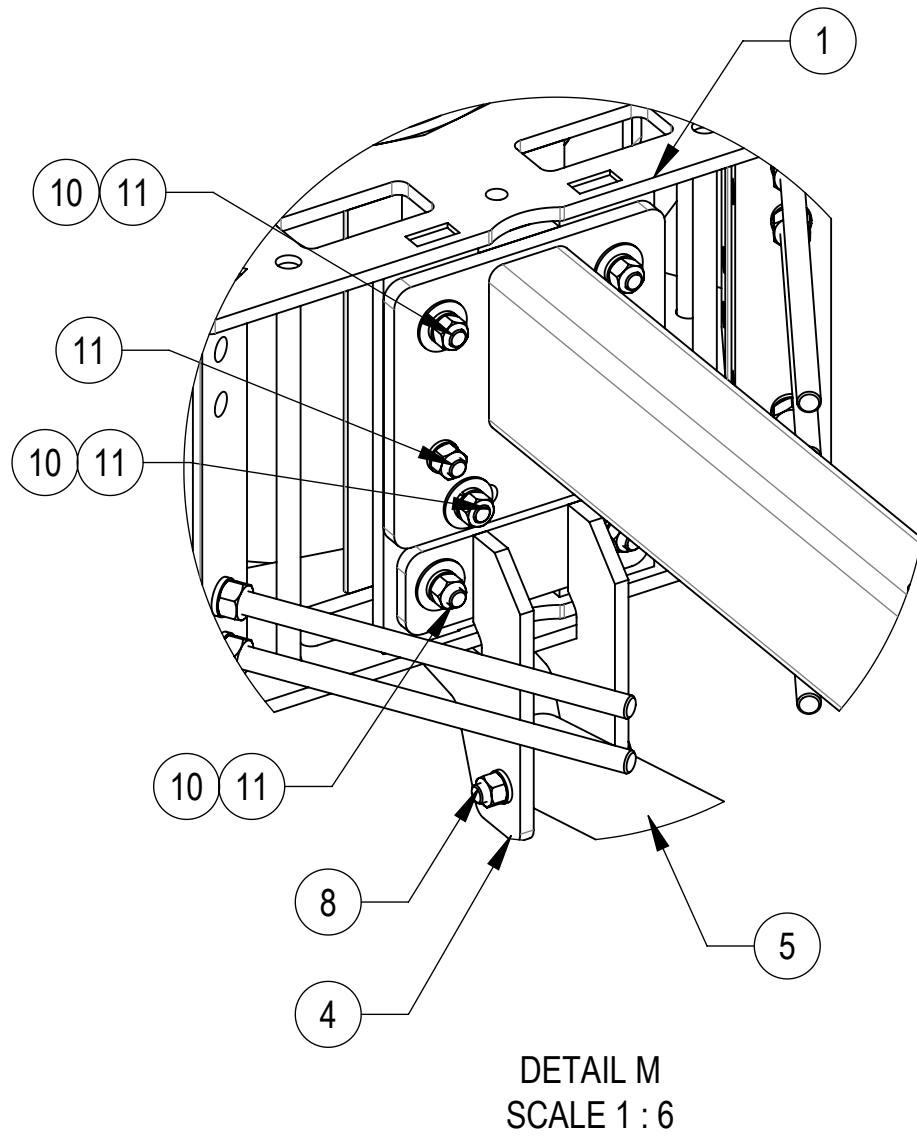
3

2

1

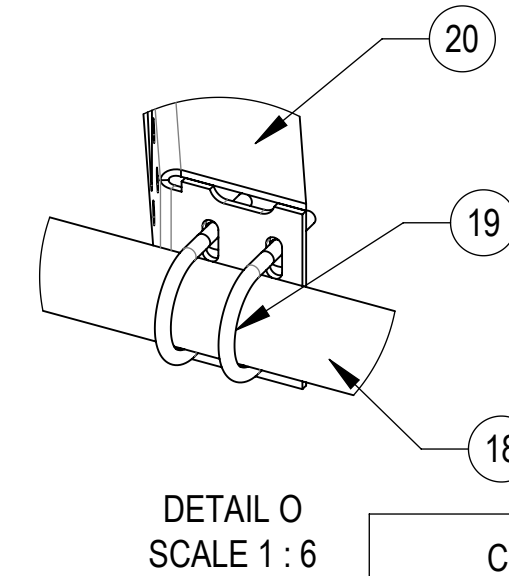
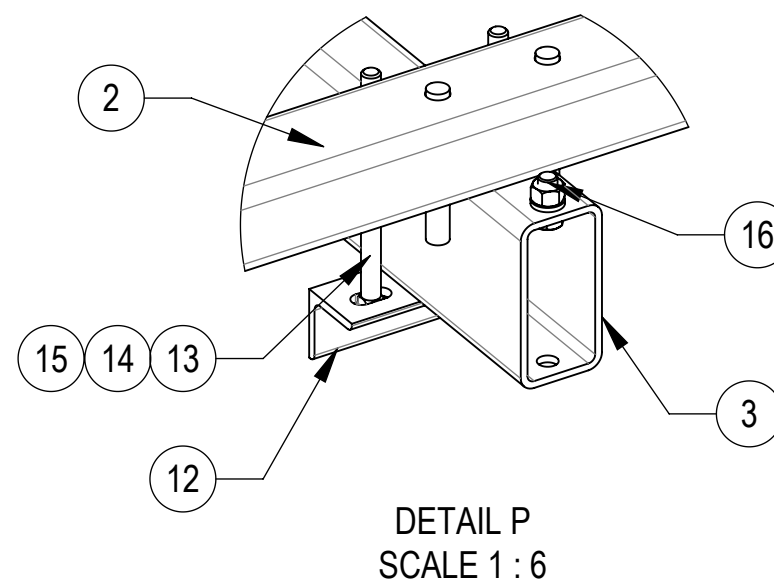


# COMPONENTS FOR INSTALLATION MP-PP15M-B SHOWN



COMPONENT PART NUMBERS PROVIDED FOR ASSEMBLY PURPOSES;  
INDIVIDUAL COMPONENTS MAY BE SHIPPED AS PARTS WITHIN AN INCLUDED KIT.

ITEM NO.	PART NUMBER	DESCRIPTION	QTY.	WEIGHT
1	MC-RMHD-1245-3	3 SECTOR RING MOUNT, 12"-45" POLE	1	329.19 LBS
2	MC-AS-7000-00	WELDMENT, CO-LOCATION PLATFORM DECK	3	208.07 LBS
3	MC-AS-5000-00	WELDMENT, MONO PLATF SPINDLE	3	101.74 LBS
4	MC-AS-6100-00	WELDMENT, MINI KICKER BRACKET	3	14.77 LBS
5	RK48-00	MINI KICKER ARM SUPPORT TUBE 48"	3	22.96 LBS
6	MTC323704	CLAMP BAR	6	2.37 LBS
7	RK02	CONNECTION BRACKET	6	1.21 LBS
8	GB-0550A	5/8" X 5" GALV BOLT KIT (A325)	6	0.52 LBS
9	MT-381-10	5/8" X 10" GALV THREADED ROD	6	0.86 LBS
10	GWF-05	5/8" GALV FLAT WASHER, 1.7OD	39	0.06 LBS
11	GB-0522A	5/8" X 2-1/4" GALV BOLT KIT (A325)	27	0.28 LBS
12	MC-AS-1200-00	CLAMP PLATE, CO-LOCATION PLATFORM	6	2.93 LBS
13	9615-14	BOLT, CARRIAGE, 5/8-11, 8.5, STL GALV	12	0.82 LBS
14	GWL-05	5/8" GALV LOCK WASHER	24	0.03 LBS
15	GN-05	5/8" GALV HEX NUT	24	0.08 LBS
16	GB-05125	5/8" X 1-1/4" GALV BOLT KIT	3	0.20 LBS
17	GUB-4355	1/2" X 3-5/8" X 5" GALV U-BOLT	12	0.71 LBS
18	MT546180	2.875" O.D. X 180" PIPE	6	87.21 LBS
19	GUB-4352	1/2" X 3" X 5-1/4" GALV U-BOLT	12	0.71 LBS
20	MC-AS-6300-00	CORNER WELDMEMT, HANDRAIL	3	31.87 LBS



COMMSCOPE, INC. OF NORTH CAROLINA				
TITLE MP 3-SECTORS W/HR SERIES				
SIZE C	SCALE 1:20	DOCUMENT NO. MP-PP		
DRAWING		VERSION	STATUS	REVISION
SHEET		00	RE	A
9 OF 19				

4

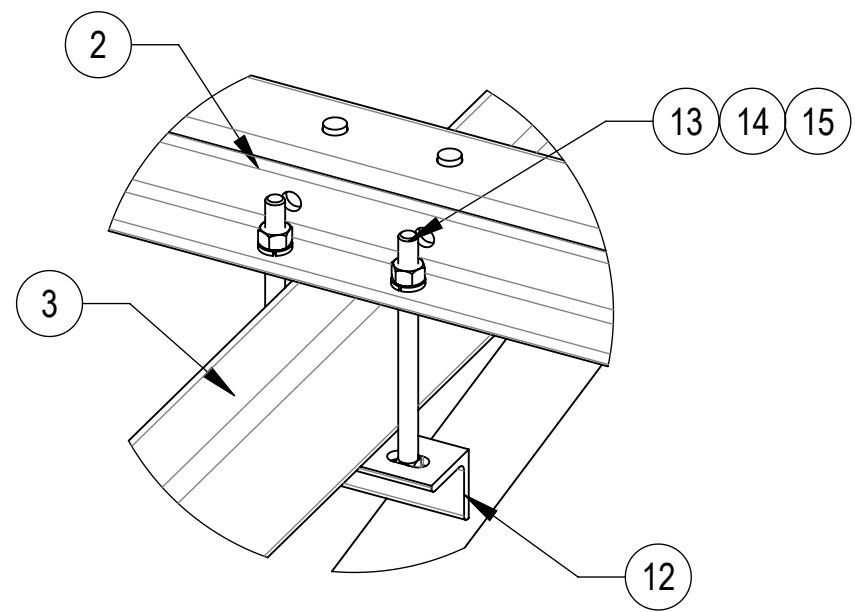
3

2

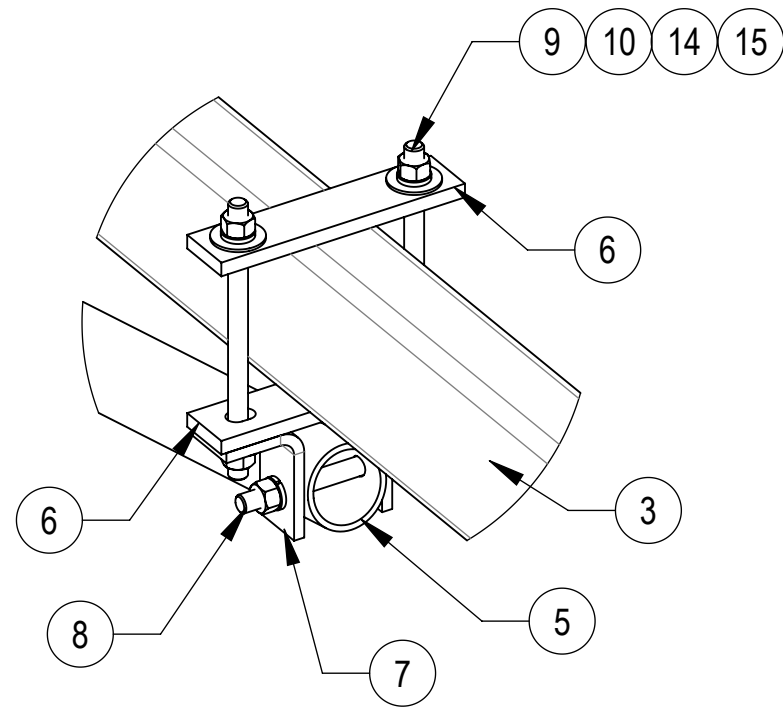
1

D

D



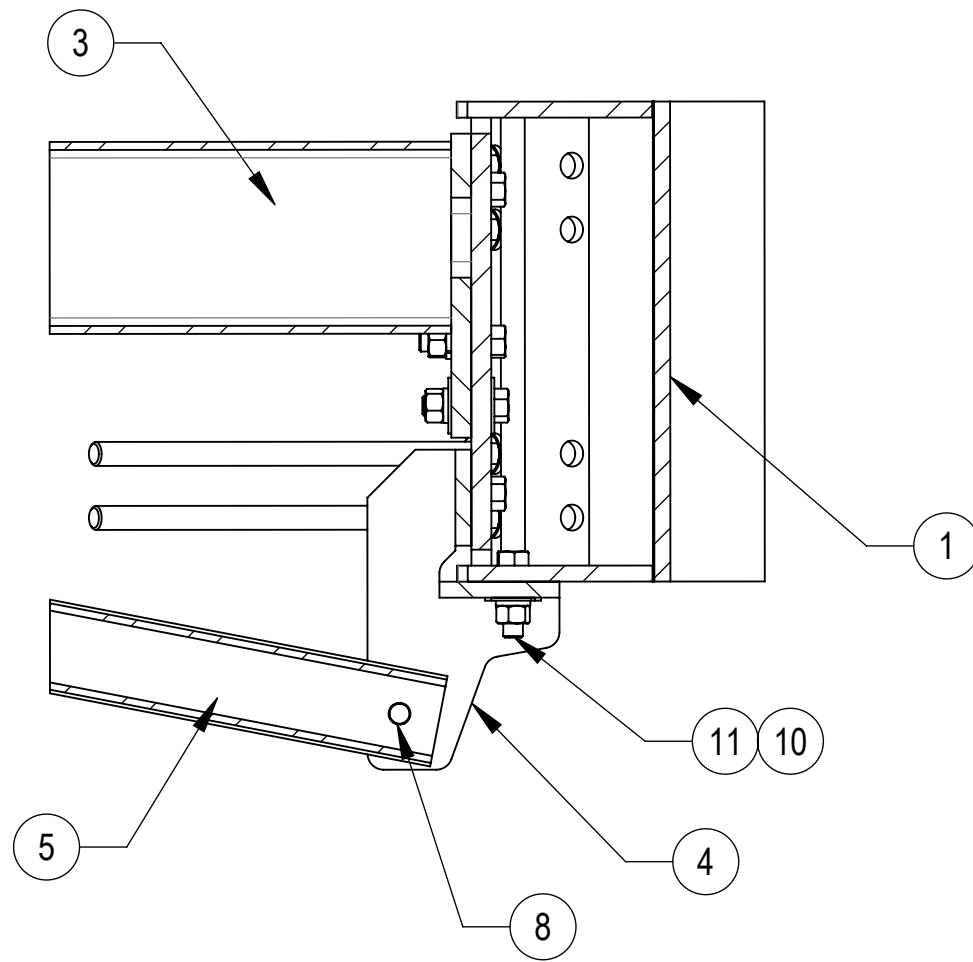
DETAIL I  
SCALE 1 : 6



DETAIL N  
SCALE 1 : 6

C

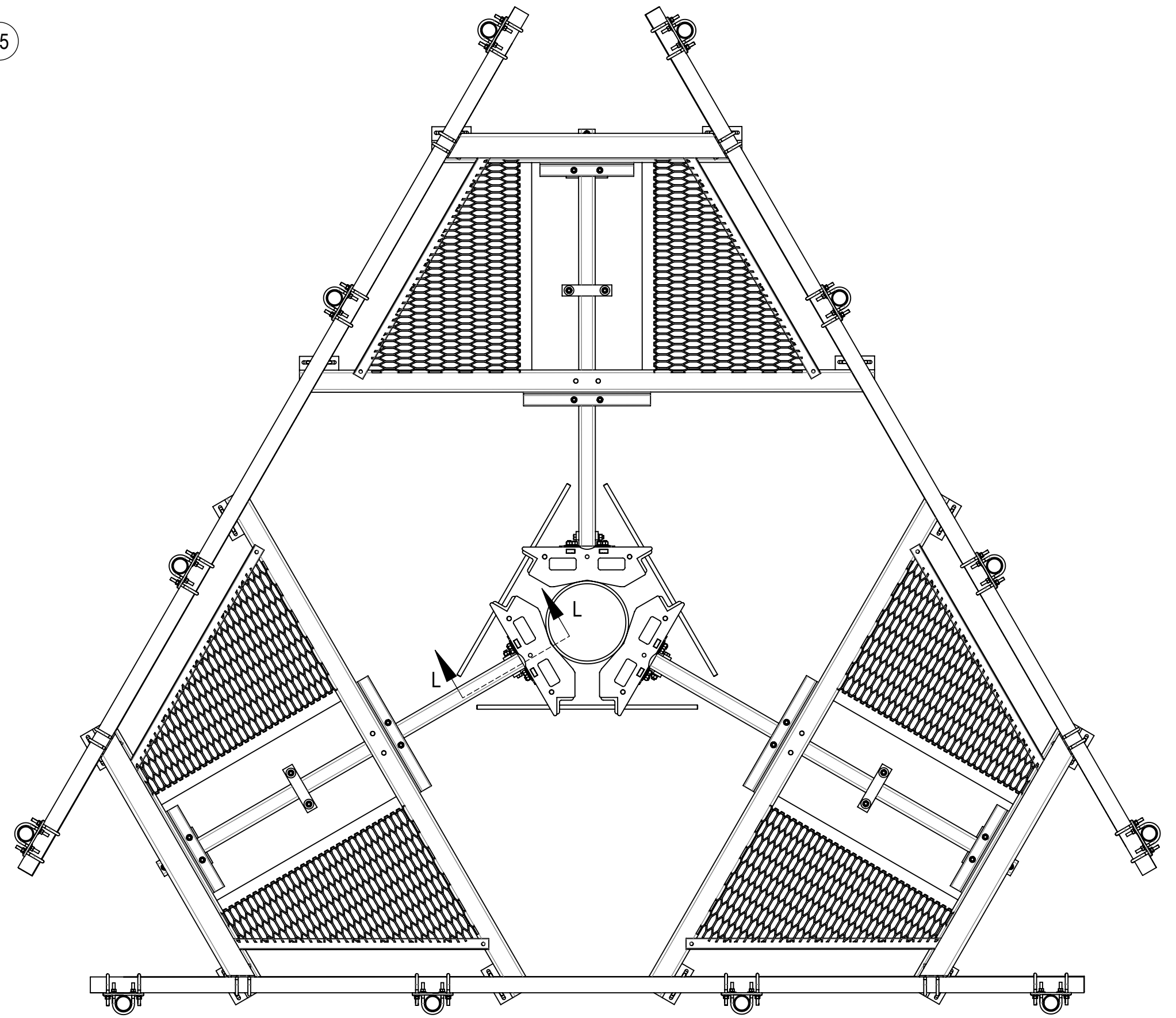
C



SECTION L-L  
SCALE 1 : 6

B

B



A

A

COMMSCOPE, INC. OF NORTH CAROLINA

TITLE  
MP 3-SECTORS W/HR SERIES

SIZE <b>C</b>	SCALE <b>1:20</b>	DOCUMENT NO. <b>MP-PP</b>			
		DRAWING			SHEET 10 OF 19
		VERSION 00	STATUS RE	REVISION A	

© 2023 CommScope, Inc. Confidential

4

3

2

1

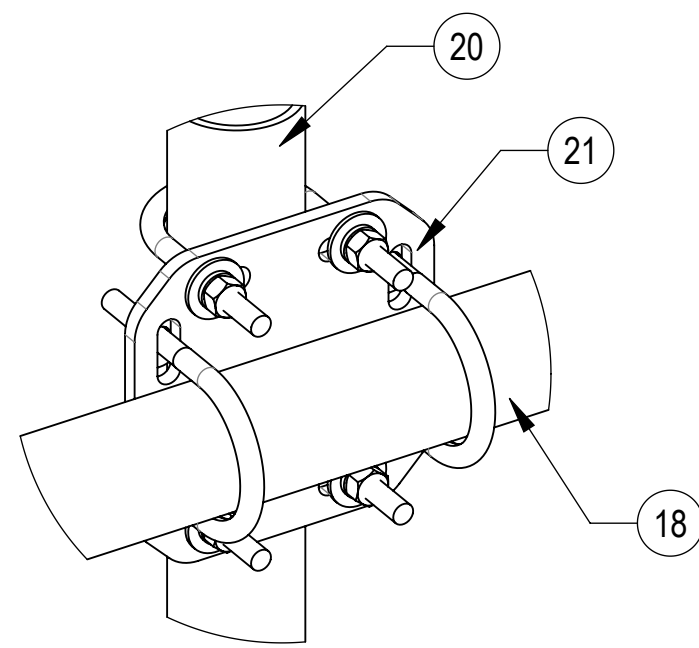
4

3

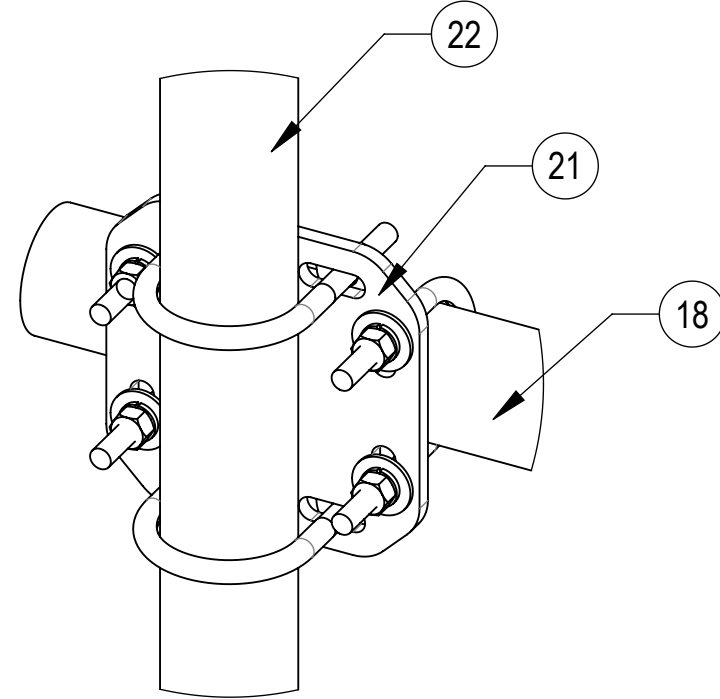
2

1

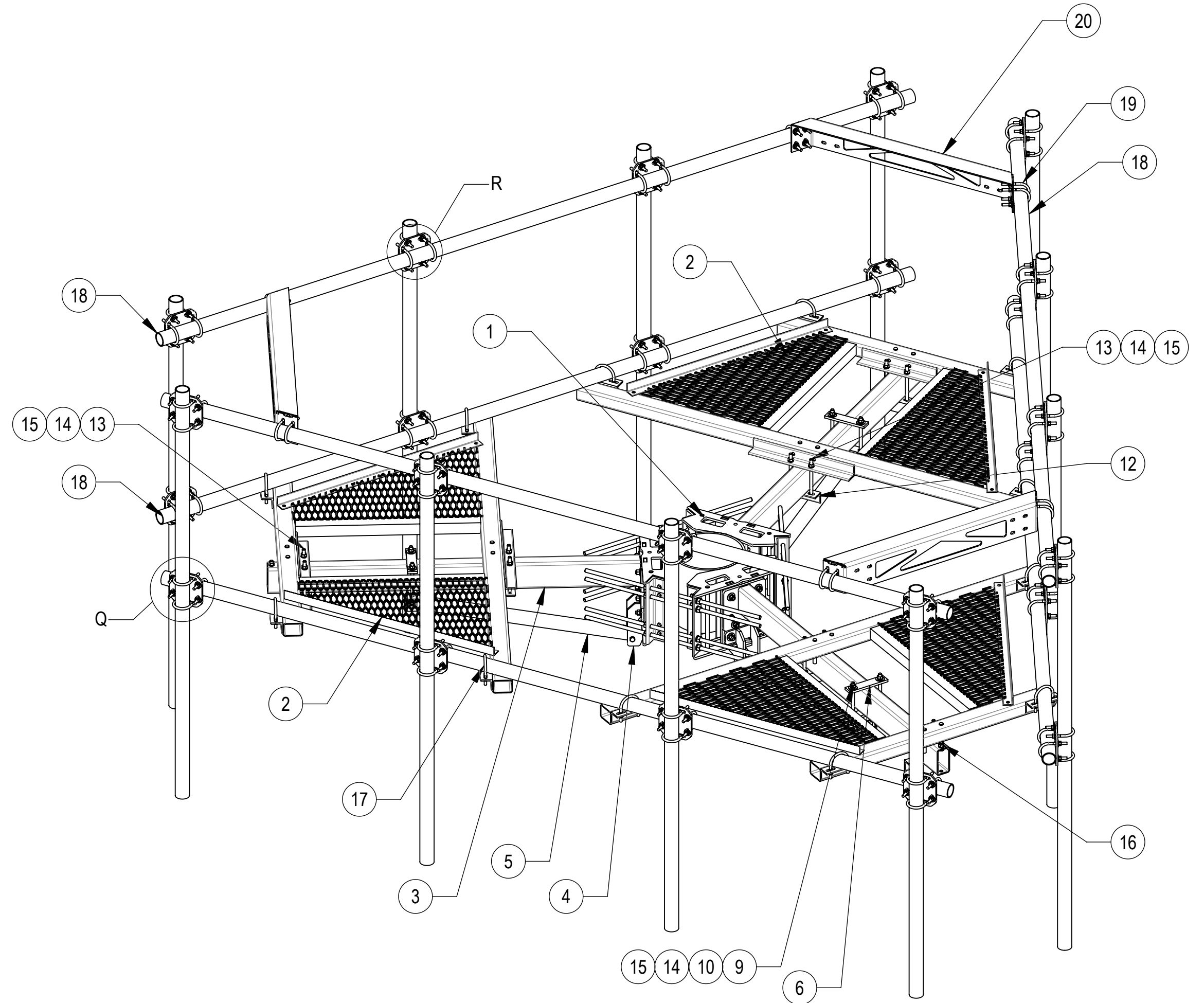
# COMPONENTS FOR INSTALLATION MP-PP15M-12C-96 SHOWN



DETAIL R  
SCALE 1 : 4



DETAIL Q  
SCALE 1 : 4



COMPONENT PART NUMBERS PROVIDED FOR ASSEMBLY PURPOSES;  
INDIVIDUAL COMPONENTS MAY BE SHIPPED AS PARTS WITHIN AN INCLUDED KIT.

ITEM NO.	PART NUMBER	DESCRIPTION	QTY.	WEIGHT
1	MC-RMHD-1245-3	3 SECTOR RING MOUNT, 12"-45" POLE	1	329.19 LBS
2	MC-AS-7000-00	WELDMENT, CO-LOCATION PLATFORM DECK	3	208.07 LBS
3	MC-AS-5000-00	WELDMENT, MONO PLATF SPINDLE	3	101.74 LBS
4	MC-AS-6100-00	WELDMENT, MINI KICKER BRACKET	3	14.77 LBS
5	RK48-00	MINI KICKER ARM SUPPORT TUBE 48"	3	22.96 LBS
6	MTC323704	CLAMP BAR	6	2.37 LBS
7	RK02	CONNECTION BRACKET	6	1.21 LBS
8	GB-0550A	5/8" X 5" GALV BOLT KIT (A325)	6	0.52 LBS
9	MT-381-10	5/8" X 10" GALV THREADED ROD	6	0.86 LBS
10	GWF-05	5/8" GALV FLAT WASHER, 1.7OD	39	0.06 LBS
11	GB-0522A	5/8" X 2-1/4" GALV BOLT KIT (A325)	27	0.28 LBS
12	MC-AS-1200-00	CLAMP PLATE, CO-LOCATION PLATFORM	6	2.93 LBS
13	9615-14	BOLT, CARRIAGE, 5/8-11, 8.5, STL GALV	12	0.82 LBS
14	GWL-05	5/8" GALV LOCK WASHER	24	0.03 LBS
15	GN-05	5/8" GALV HEX NUT	24	0.08 LBS
16	GB-05125	5/8" X 1-1/4" GALV BOLT KIT	3	0.20 LBS
17	GUB-4355	1/2" X 3-5/8" X 5" GALV U-BOLT	12	0.71 LBS
18	MT546180	2.875" O.D. X 180" PIPE	6	87.21 LBS
19	GUB-4352	1/2" X 3" X 5-1/4" GALV U-BOLT	12	0.71 LBS
20	MC-AS-6300-00	CORNER WELDMEMT, HANDRAIL	3	31.87 LBS
21	XP-2525	CROSSOVER PLATE KIT, 2-7/8 OD X 2-7/8 OD	24	8.37 LBS
22	MT54696	PIPE, 2.875"OD X 96"	12	45.96 LBS

COMMSCOPE, INC. OF NORTH CAROLINA				
TITLE MP 3-SECTORS W/HR SERIES				
SIZE C	SCALE 1:20	DOCUMENT NO. MP-PP		
DRAWING		VERSION	STATUS	REVISION
		00	RE	A
				SHEET 11 OF 19

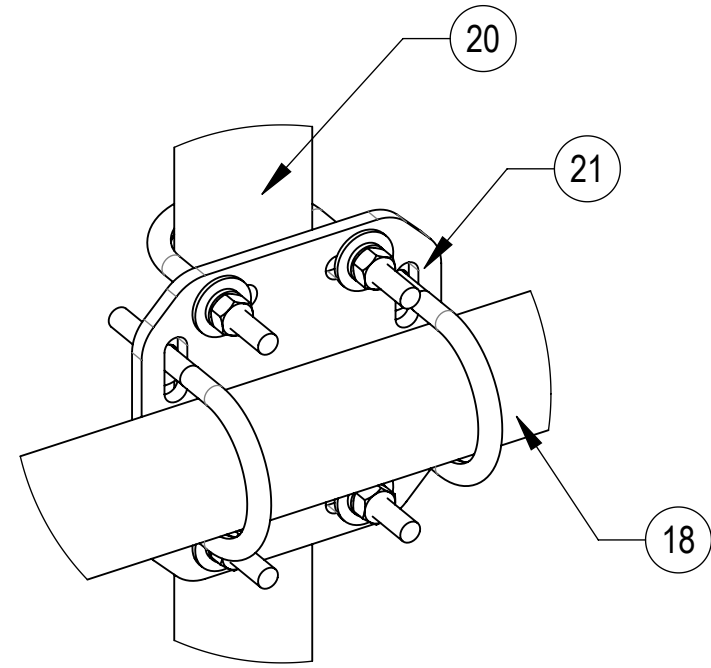
4

3

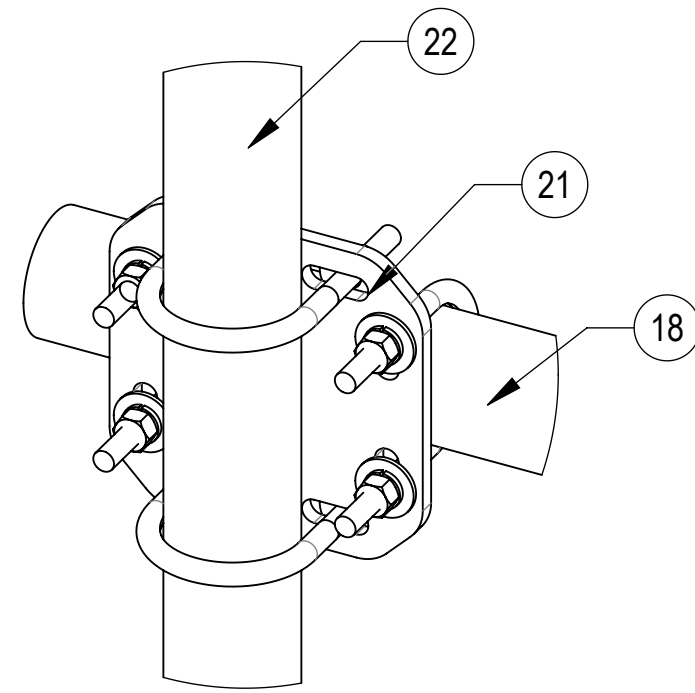
2

1

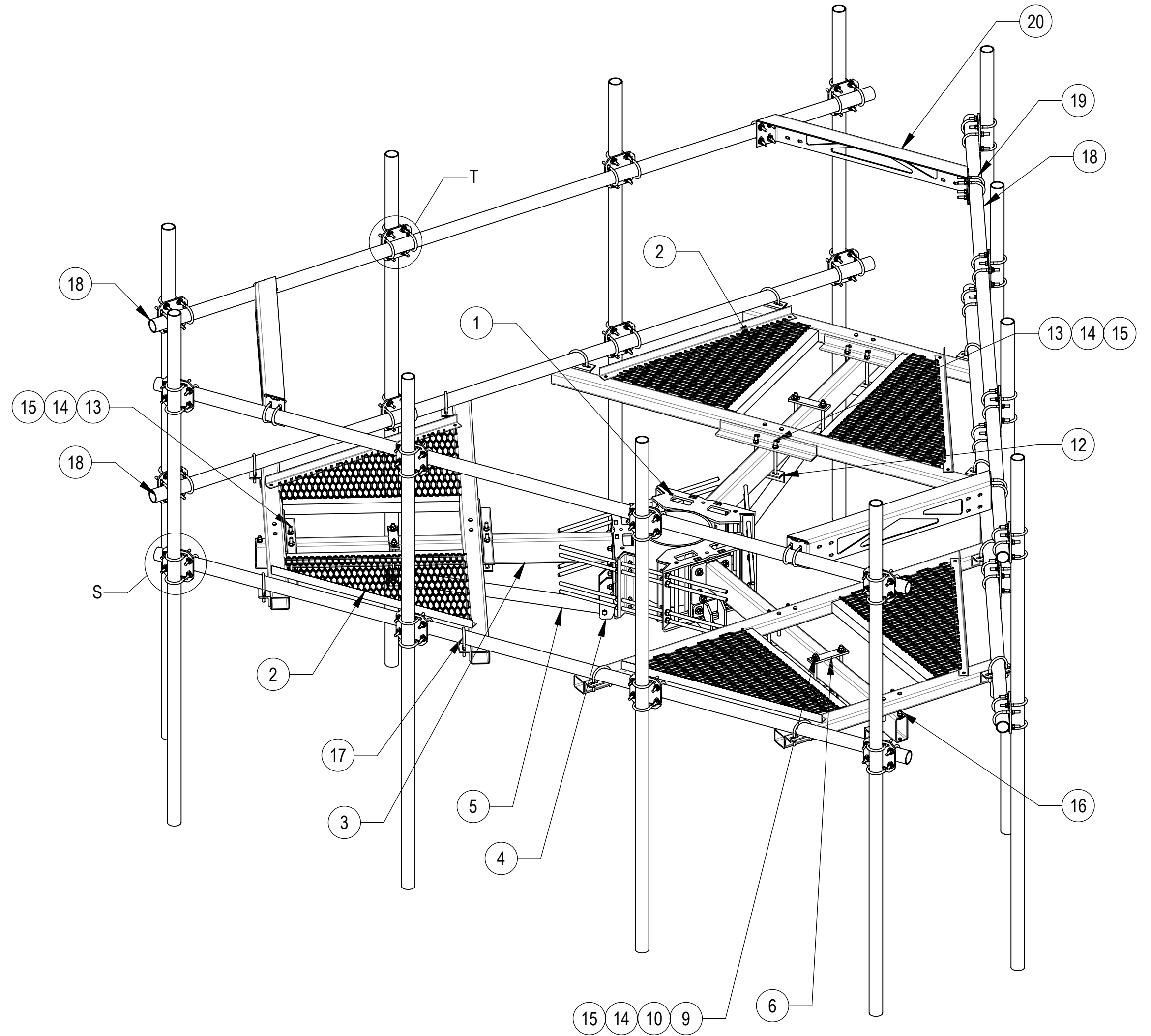
COMPNENTS FOR INSTALLATION  
MP-PP15M-12C-126 SHOWN



DETAIL T  
SCALE 1 : 4



DETAIL S  
SCALE 1 : 4

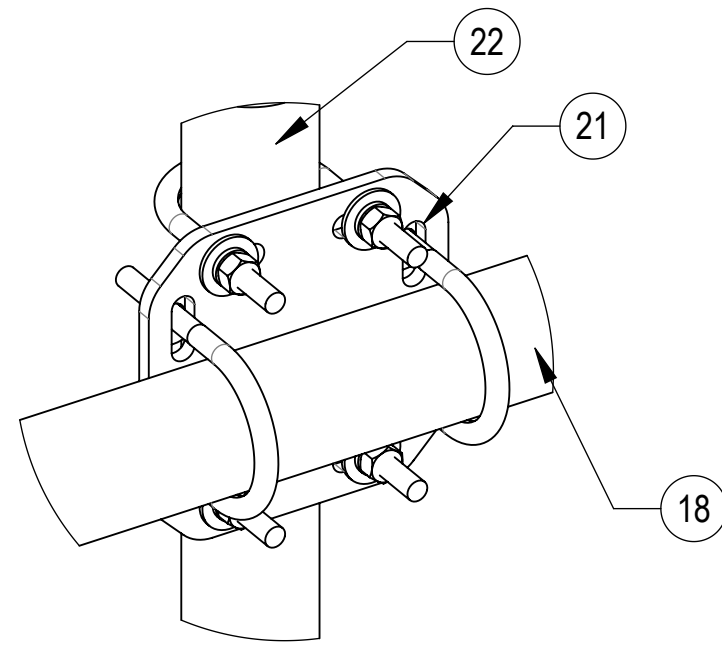


COMPONENT PART NUMBERS PROVIDED FOR ASSEMBLY PURPOSES;  
INDIVIDUAL COMPONENTS MAY BE SHIPPED AS PARTS WITHIN AN INCLUDED KIT.

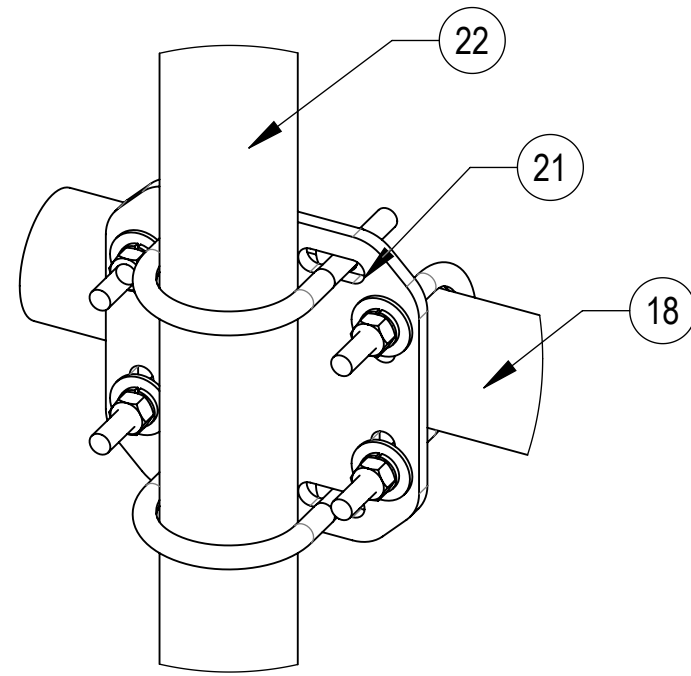
ITEM NO.	PART NUMBER	DESCRIPTION	QTY.	WEIGHT
1	MC-RMHD-1245-3	3 SECTOR RING MOUNT, 12"-45" POLE	1	329.19 LBS
2	MC-AS-7000-00	WELDMENT, CO-LOCATION PLATFORM DECK	3	208.07 LBS
3	MC-AS-5000-00	WELDMENT, MONO PLATF SPINDLE	3	101.74 LBS
4	MC-AS-6100-00	WELDMENT, MINI KICKER BRACKET	3	14.77 LBS
5	RK48-00	MINI KICKER ARM SUPPORT TUBE 48"	3	22.96 LBS
6	MTC323704	CLAMP BAR	6	2.37 LBS
7	RK02	CONNECTION BRACKET	6	1.21 LBS
8	GB-0550A	5/8" X 5" GALV BOLT KIT (A325)	6	0.52 LBS
9	MT-381-10	5/8" X 10" GALV THREADED ROD	6	0.86 LBS
10	GWF-05	5/8" GALV FLAT WASHER, 1.7OD	39	0.06 LBS
11	GB-0522A	5/8" X 2-1/4" GALV BOLT KIT (A325)	27	0.28 LBS
12	MC-AS-1200-00	CLAMP PLATE, CO-LOCATION PLATFORM	6	2.93 LBS
13	9615-14	BOLT, CARRIAGE, 5/8-11, 8.5, STL GALV	12	0.82 LBS
14	GWL-05	5/8" GALV LOCK WASHER	24	0.03 LBS
15	GN-05	5/8" GALV HEX NUT	24	0.08 LBS
16	GB-05145	5/8" X 1-1/2" GALV BOLT KIT	3	0.22 LBS
17	GUB-4355	1/2" X 3-5/8" X 5" GALV U-BOLT	12	0.71 LBS
18	MT546180	2.875" O.D. X 180" PIPE	6	87.21 LBS
19	GUB-4352	1/2" X 3" X 5-1/4" GALV U-BOLT	12	0.71 LBS
20	MC-AS-6300-00	CORNER WELDMEMT, HANDRAIL	3	31.87 LBS
21	XP-2525	CROSSOVER PLATE KIT, 2-7/8 OD X 2-7/8 OD	24	8.37 LBS
22	MT-546-126	PIPE, 2.875"OD X 126"	12	61.05 LBS

COMMSCOPE, INC. OF NORTH CAROLINA				
TITLE MP 3-SECTORS W/HR SERIES				
SIZE C	SCALE 1:20	DOCUMENT NO. MP-PP		
DRAWING		VERSION	STATUS	REVISION
SHEET		00	RE	A
				SHEET 12 OF 19

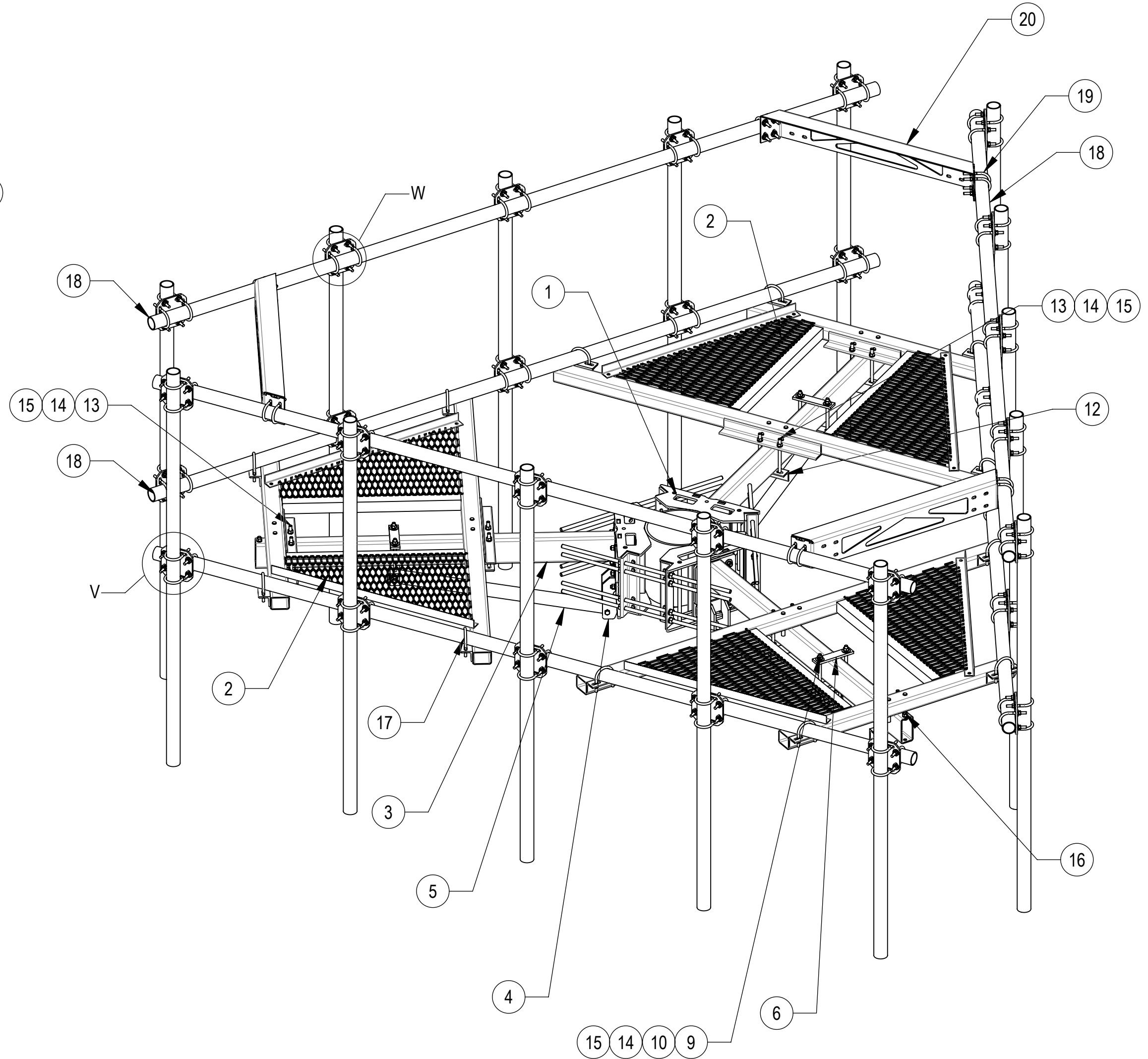
# COMPONENTS FOR INSTALLATION MP-PP15M-15C-96 SHOWN



DETAIL W  
SCALE 1 : 4



DETAIL V  
SCALE 1 : 4

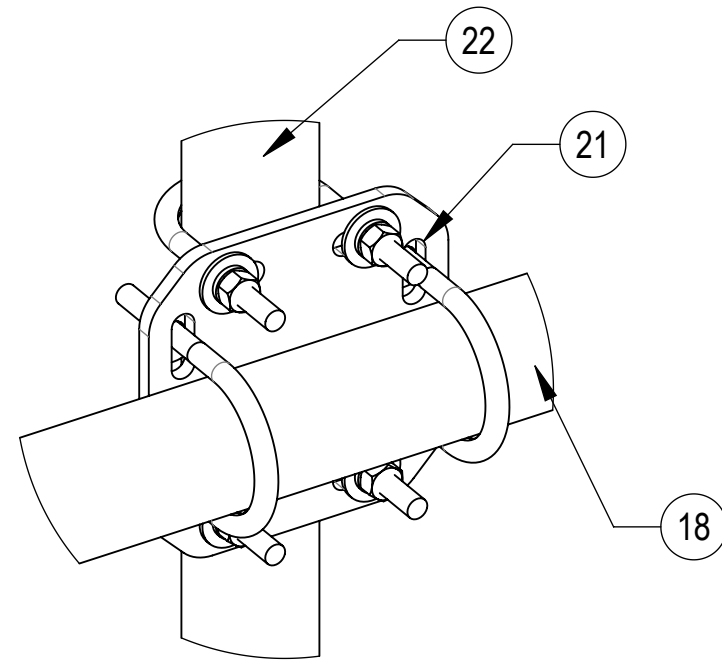


COMPONENT PART NUMBERS PROVIDED FOR ASSEMBLY PURPOSES;  
INDIVIDUAL COMPONENTS MAY BE SHIPPED AS PARTS WITHIN AN INCLUDED KIT.

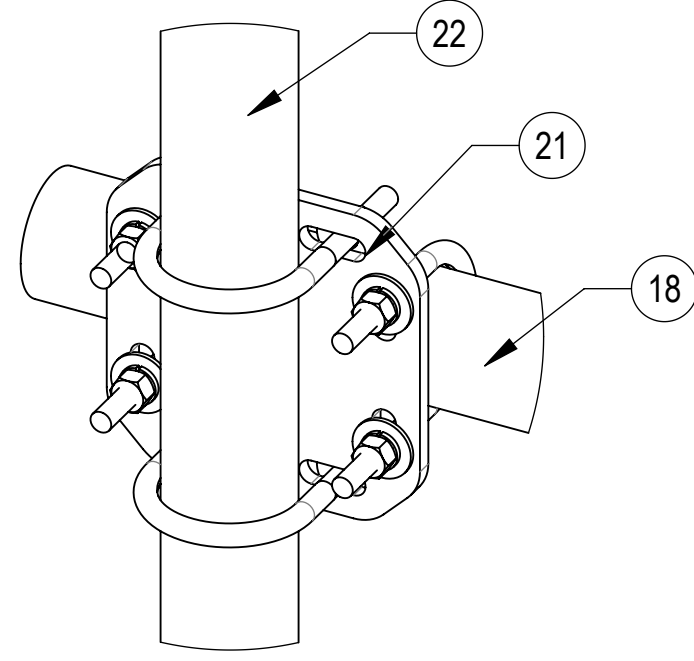
ITEM NO.	PART NUMBER	DESCRIPTION	QTY.	WEIGHT
1	MC-RMHD-1245-3	3 SECTOR RING MOUNT, 12"-45" POLE	1	329.19 LBS
2	MC-AS-7000-00	WELDMENT, CO-LOCATION PLATFORM DECK	3	208.07 LBS
3	MC-AS-5000-00	WELDMENT, MONO PLATF SPINDLE	3	101.74 LBS
4	MC-AS-6100-00	WELDMENT, MINI KICKER BRACKET	3	14.77 LBS
5	RK48-00	MINI KICKER ARM SUPPORT TUBE 48"	3	22.96 LBS
6	MTC323704	CLAMP BAR	6	2.37 LBS
7	RK02	CONNECTION BRACKET	6	1.21 LBS
8	GB-0550A	5/8" X 5" GALV BOLT KIT (A325)	6	0.52 LBS
9	MT-381-10	5/8" X 10" GALV THREADED ROD	6	0.86 LBS
10	GWF-05	5/8" GALV FLAT WASHER, 1.7OD	39	0.06 LBS
11	GB-0522A	5/8" X 2-1/4" GALV BOLT KIT (A325)	27	0.28 LBS
12	MC-AS-1200-00	CLAMP PLATE, CO-LOCATION PLATFORM	6	2.93 LBS
13	9615-14	BOLT, CARRIAGE, 5/8-11, 8.5, STL GALV	12	0.82 LBS
14	GWL-05	5/8" GALV LOCK WASHER	24	0.03 LBS
15	GN-05	5/8" GALV HEX NUT	24	0.08 LBS
16	GB-05125	5/8" X 1-1/4" GALV BOLT KIT	3	0.20 LBS
17	GUB-4355	1/2" X 3-5/8" X 5" GALV U-BOLT	12	0.71 LBS
18	MT546180	2.875" O.D. X 180" PIPE	6	87.21 LBS
19	GUB-4352	1/2" X 3" X 5-1/4" GALV U-BOLT	12	0.71 LBS
20	MC-AS-6300-00	CORNER WELDMEMT, HANDRAIL	3	31.87 LBS
21	XP-2525	CROSSOVER PLATE KIT, 2-7/8 OD X 2-7/8 OD	30	8.37 LBS
22	MT54696	PIPE, 2.875"OD X 96"	15	45.96 LBS

COMMSCOPE, INC. OF NORTH CAROLINA				
TITLE MP 3-SECTORS W/HR SERIES				
SIZE C	SCALE 1:20	DOCUMENT NO. MP-PP		
DRAWING		VERSION	STATUS	REVISION
SHEET		00	RE	A
				SHEET 13 OF 19

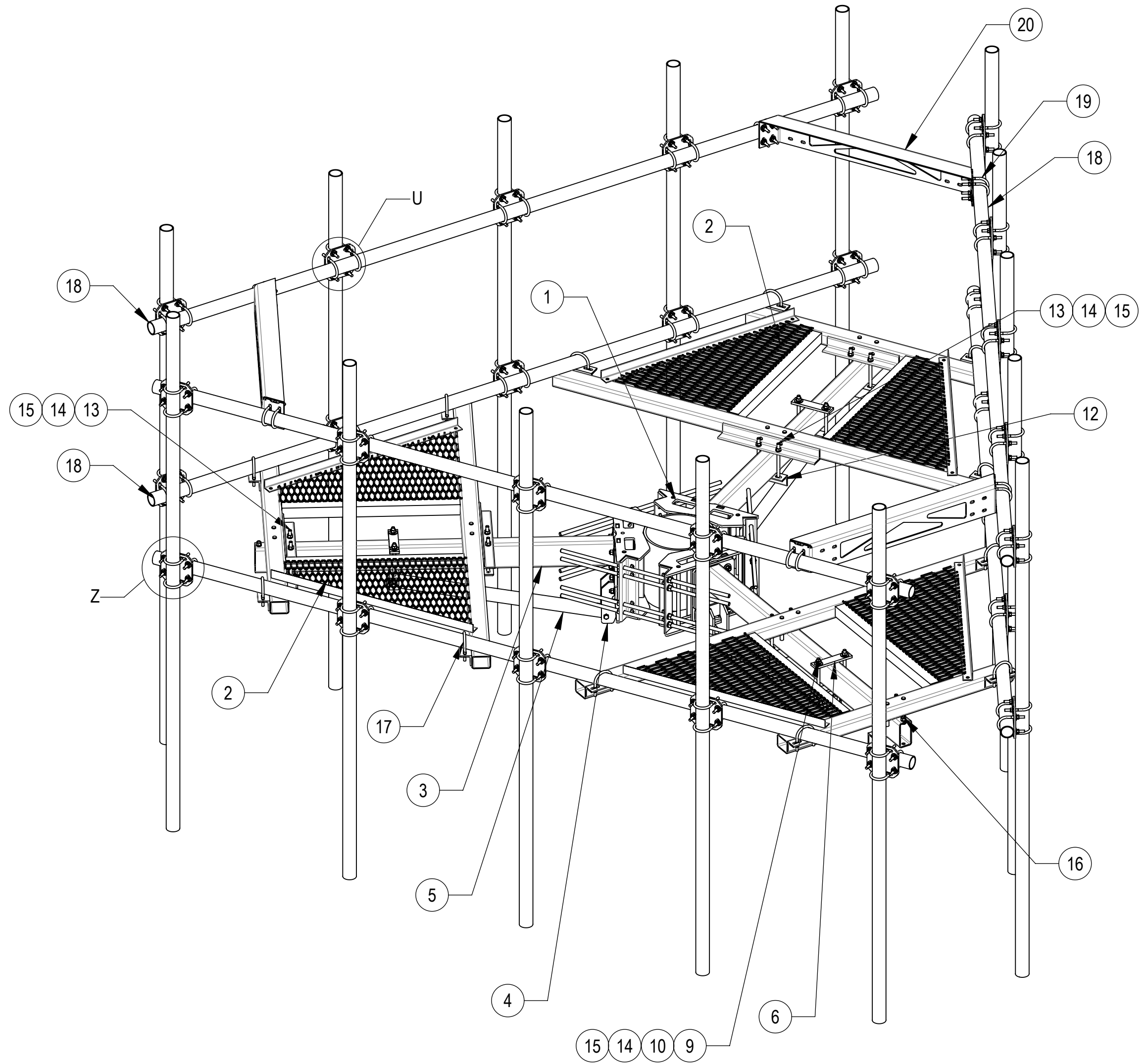
COMPNENTS FOR INSTALLATION  
MP-PP15M-15C-126 SHOWN



DETAIL U  
SCALE 1 : 4



DETAIL Z  
SCALE 1 : 4



COMPONENT PART NUMBERS PROVIDED FOR ASSEMBLY PURPOSES;  
INDIVIDUAL COMPONENTS MAY BE SHIPPED AS PARTS WITHIN AN INCLUDED KIT.

ITEM NO.	PART NUMBER	DESCRIPTION	QTY.	WEIGHT
1	MC-RMHD-1245-3	3 SECTOR RING MOUNT, 12"-45" POLE	1	329.19 LBS
2	MC-AS-7000-00	WELDMENT, CO-LOCATION PLATFORM DECK	3	208.07 LBS
3	MC-AS-5000-00	WELDMENT, MONO PLATF SPINDLE	3	101.74 LBS
4	MC-AS-6100-00	WELDMENT, MINI KICKER BRACKET	3	14.77 LBS
5	RK48-00	MINI KICKER ARM SUPPORT TUBE 48"	3	22.96 LBS
6	MTC323704	CLAMP BAR	6	2.37 LBS
7	RK02	CONNECTION BRACKET	6	1.21 LBS
8	GB-0550A	5/8" X 5" GALV BOLT KIT (A325)	6	0.52 LBS
9	MT-381-10	5/8" X 10" GALV THREADED ROD	6	0.86 LBS
10	GWF-05	5/8" GALV FLAT WASHER, 1.7OD	39	0.06 LBS
11	GB-0522A	5/8" X 2-1/4" GALV BOLT KIT (A325)	27	0.28 LBS
12	MC-AS-1200-00	CLAMP PLATE, CO-LOCATION PLATFORM	6	2.93 LBS
13	9615-14	BOLT, CARRIAGE, 5/8-11, 8.5, STL GALV	12	0.82 LBS
14	GWL-05	5/8" GALV LOCK WASHER	24	0.03 LBS
15	GN-05	5/8" GALV HEX NUT	24	0.08 LBS
16	GB-05125	5/8" X 1-1/4" GALV BOLT KIT	3	0.20 LBS
17	GUB-4355	1/2" X 3-5/8" X 5" GALV U-BOLT	12	0.71 LBS
18	MT546180	2.875" O.D. X 180" PIPE	6	87.21 LBS
19	GUB-4352	1/2" X 3" X 5-1/4" GALV U-BOLT	12	0.71 LBS
20	MC-AS-6300-00	CORNER WELDMEMT, HANDRAIL	3	31.87 LBS
21	XP-2525	CROSSOVER PLATE KIT, 2-7/8 OD X 2-7/8 OD	30	8.37 LBS
22	MT-546-126	PIPE, 2.875"OD X 126"	15	61.05 LBS

COMMSCOPE, INC. OF NORTH CAROLINA				
TITLE MP 3-SECTORS W/HR SERIES				
SIZE C	SCALE 1:20	DOCUMENT NO. MP-PP		
DRAWING		VERSION	STATUS	REVISION
SHEET		00	RE	A
				SHEET 14 OF 19

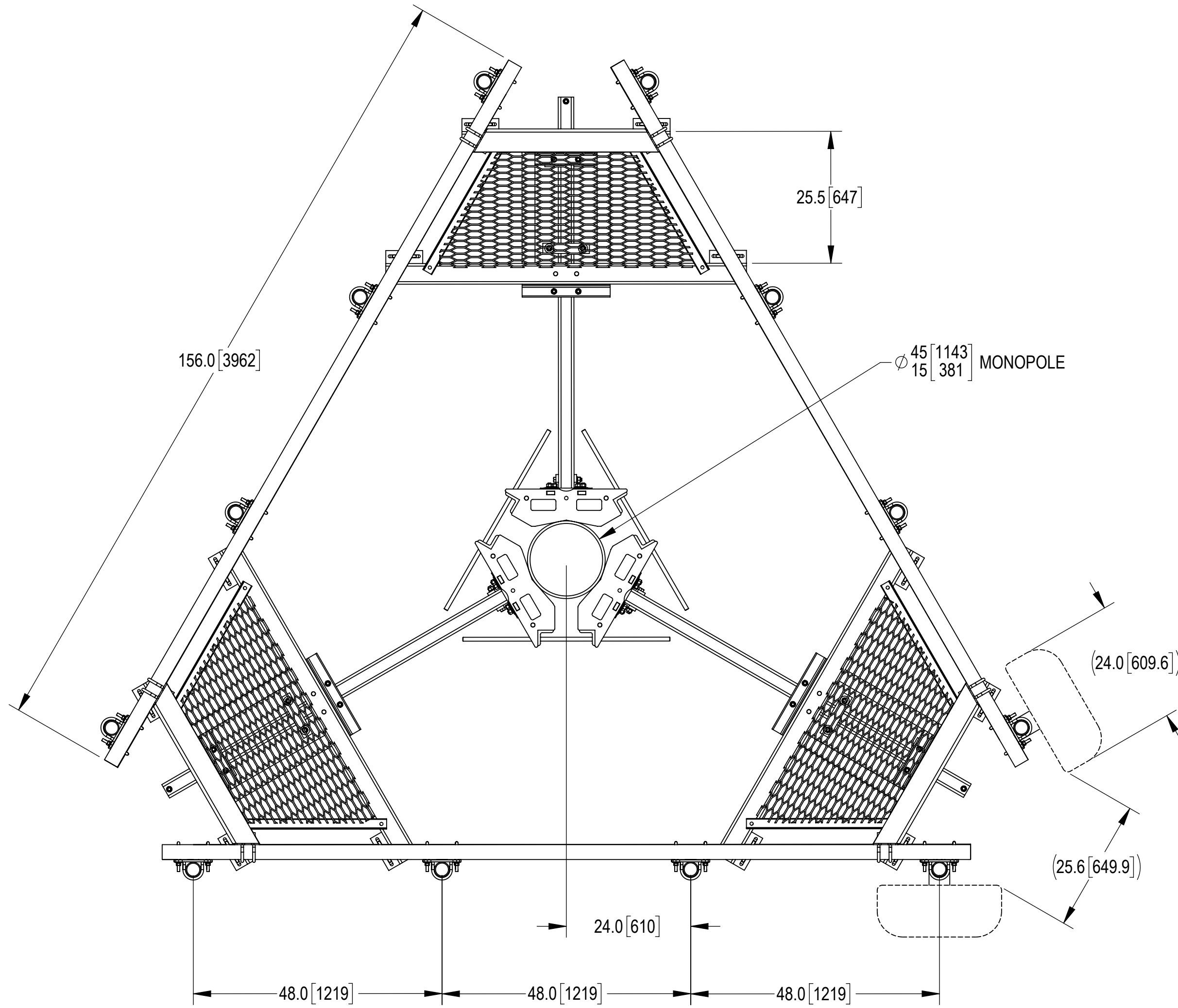
4

3

2

1

# ANTENNA SPACING SHOWN



### 13' MOUNT - 4 POSITION

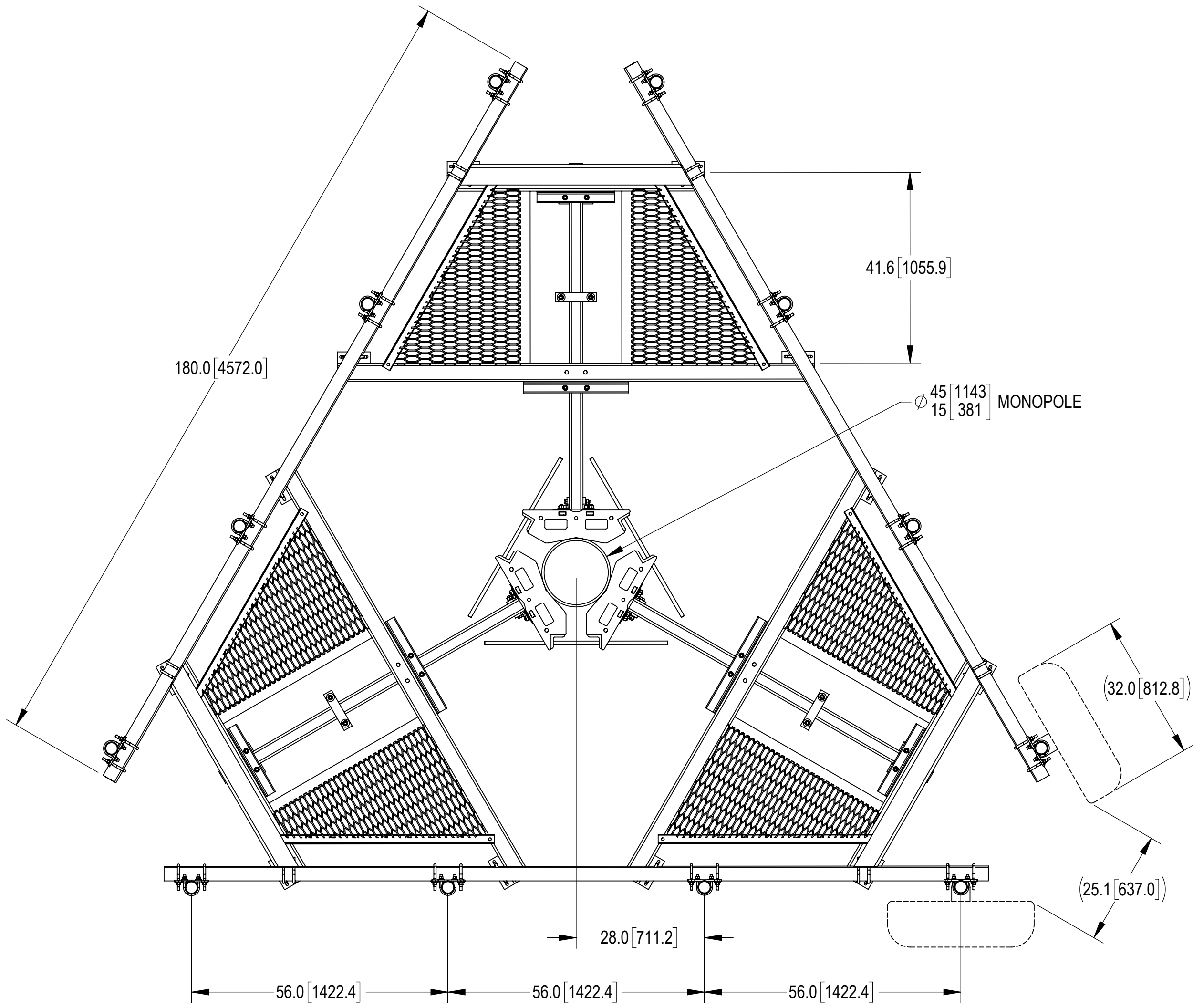
COMMSCOPE, INC. OF NORTH CAROLINA				
TITLE MP 3-SECTORS W/HR SERIES				
SIZE <b>C</b>	SCALE <b>1:23</b>	DOCUMENT NO. MP-PP		
		DRAWING		SHEET
		VERSION	STATUS	REVISION
		00	RE	A
				15 OF 19

4


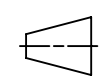
3

2

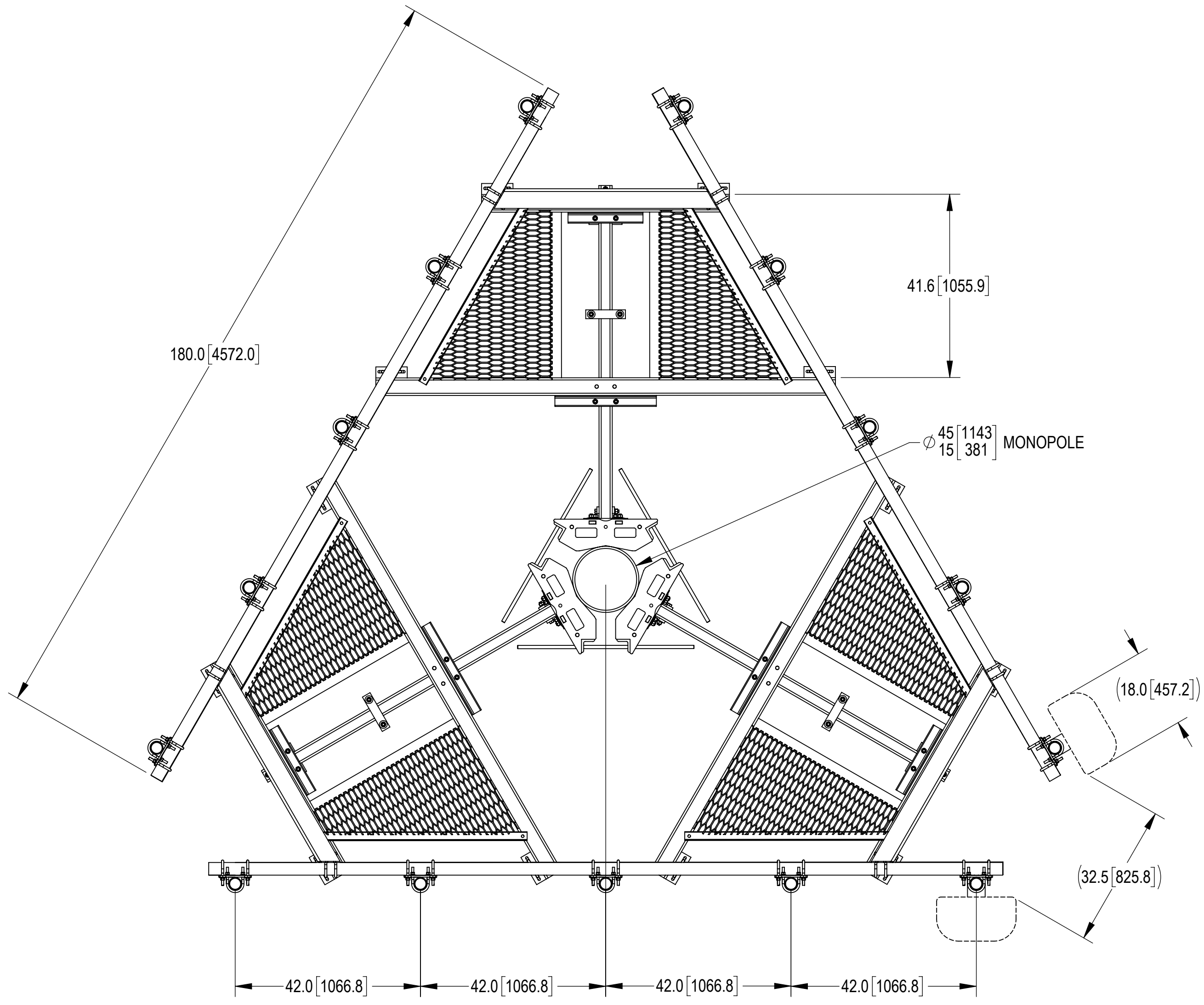
1



15' MOUNT - 4 POSITION

COMMSCOPE, INC. OF NORTH CAROLINA				
TITLE MP 3-SECTORS W/HR SERIES				
SIZE <b>C</b>	SCALE <b>1:25</b>	DOCUMENT NO. MP-PP		
 		DRAWING		SHEET
		VERSION 00	STATUS RE	REVISION A

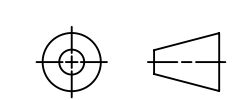




15' MOUNT - 5 POSITION

COMMSCOPE, INC. OF NORTH CAROLINA				
TITLE MP 3-SECTORS W/HR SERIES				
SIZE C	SCALE 1:25	DOCUMENT NO. MP-PP		
		DRAWING		SHEET
		VERSION	STATUS	REVISION
		00	RE	A
				17 OF 19

© 2023 CommScope, Inc. Confidential



4

3

2

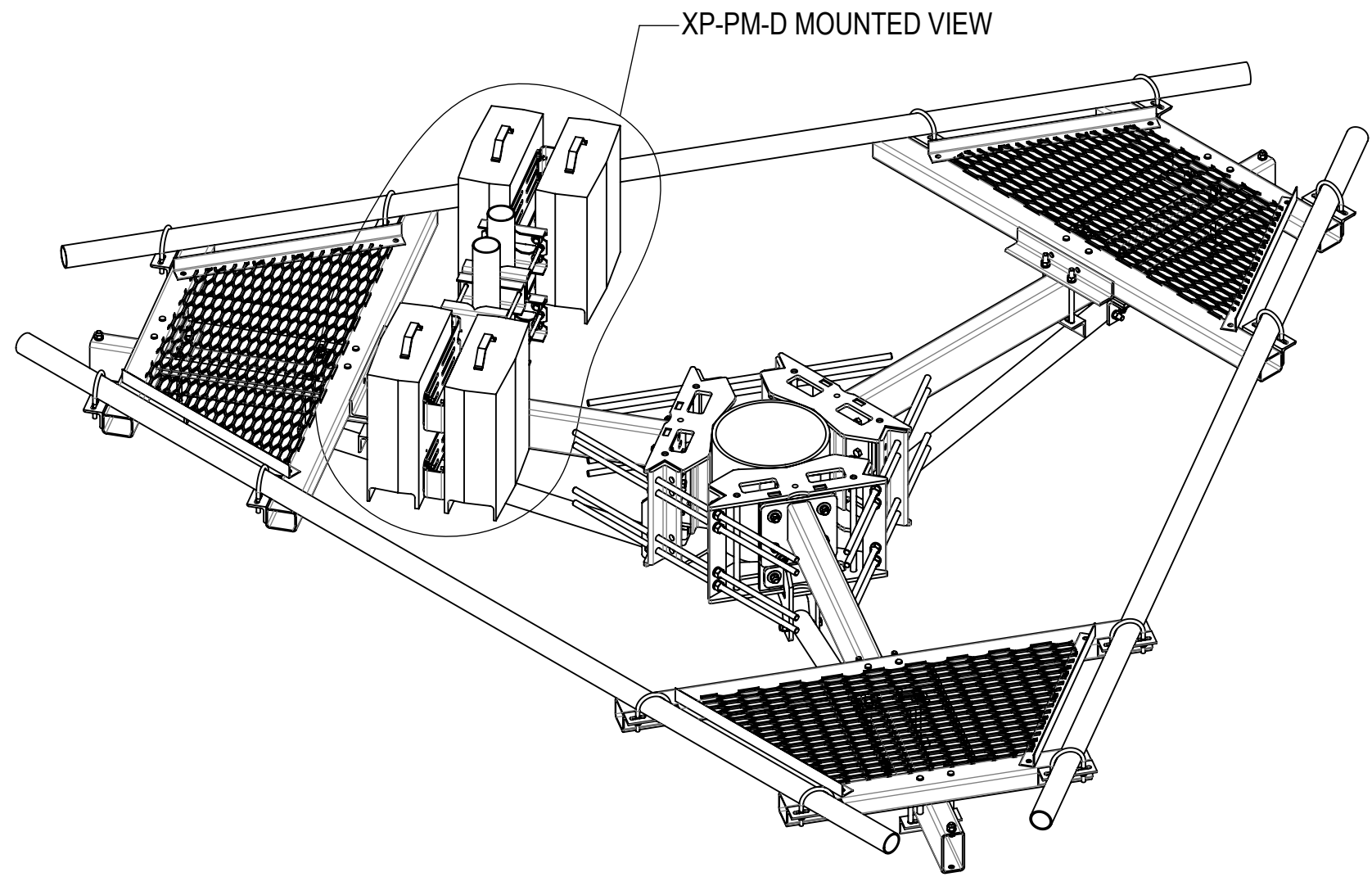
1

# OPTIONAL ACCESSORIES

(ALL THE ACCESSORY ITEMS TO BE PURCHASED SEPARATELY)

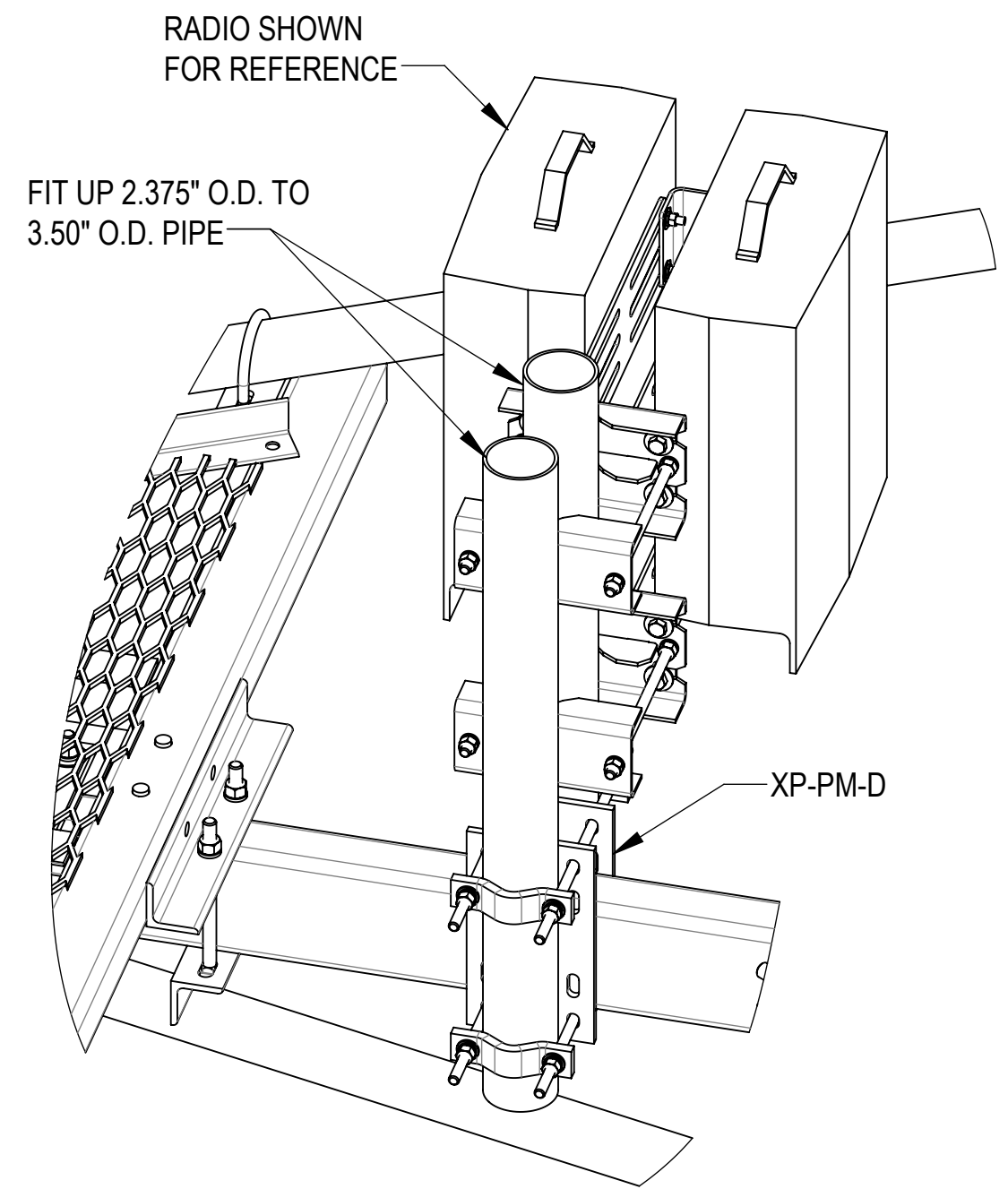
## MP RRU SUPPORT KIT:

- XP-PM-D
- XP-PM-S



XP-PM-D MOUNTED VIEW

MOUNTED ON 13' PLATFORM  
SHOWN FOR REFERENCE

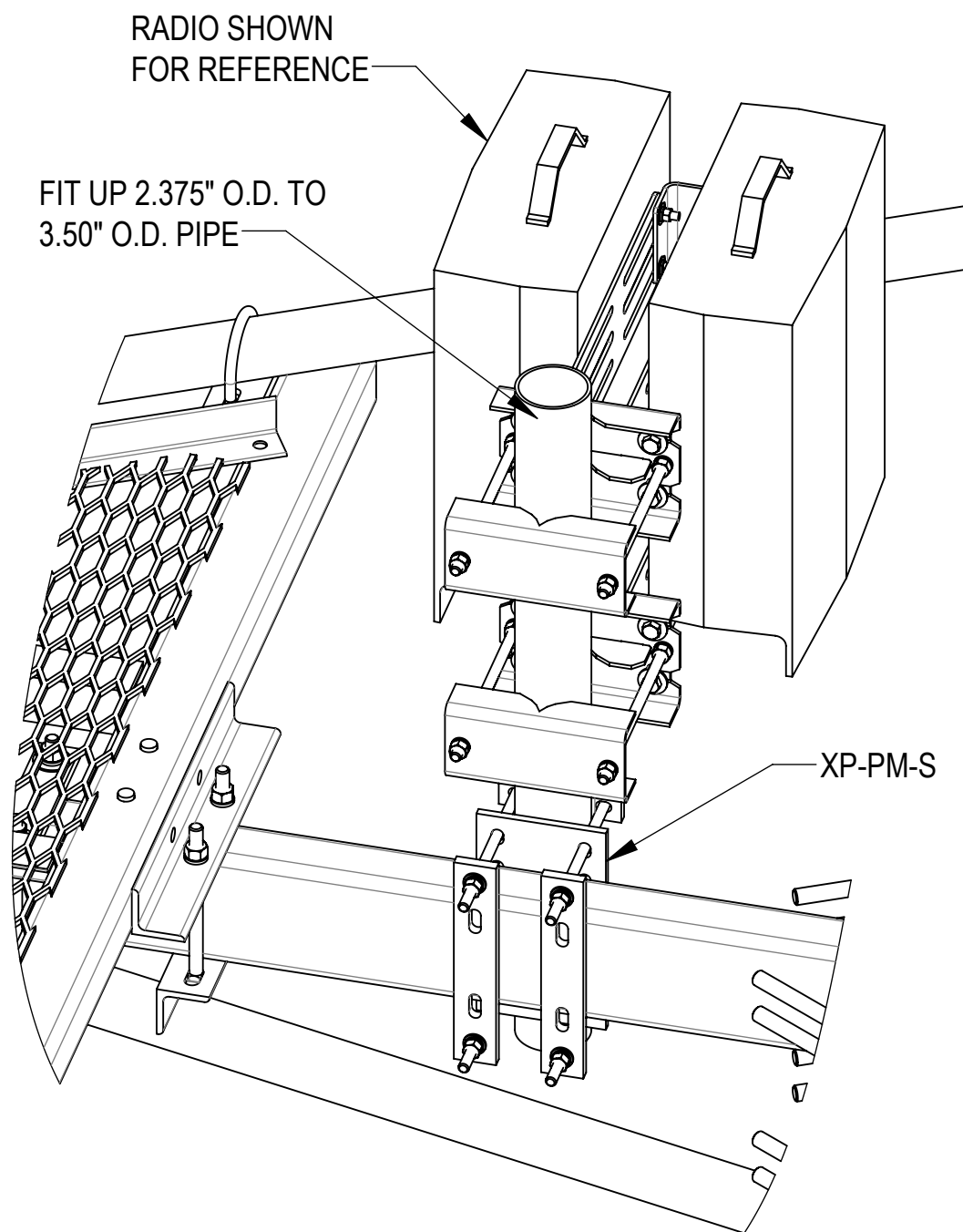


RADIO SHOWN FOR REFERENCE

FIT UP 2.375" O.D. TO 3.50" O.D. PIPE

XP-PM-D

(HIDE ONE SIDE OF THE RRU FOR CLARITY)  
DETAIL XP-PM-D MOUNTED VIEW  
SCALE 1 : 8


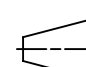


RADIO SHOWN FOR REFERENCE

FIT UP 2.375" O.D. TO 3.50" O.D. PIPE

XP-PM-S

DETAIL XP-PM-S MOUNTED VIEW  
SCALE 1 : 8

COMMScope, INC. OF NORTH CAROLINA				
TITLE MP 3-SECTORS W/HR SERIES				
SIZE C	SCALE 1:20	DOCUMENT NO. MP-PP		
DRAWING		VERSION	STATUS	REVISION
 		00	RE	A
				SHEET 18 OF 19

4

3

2

1

D

D

C

C

B

B

A

A

4

3

2

1

D

D

C

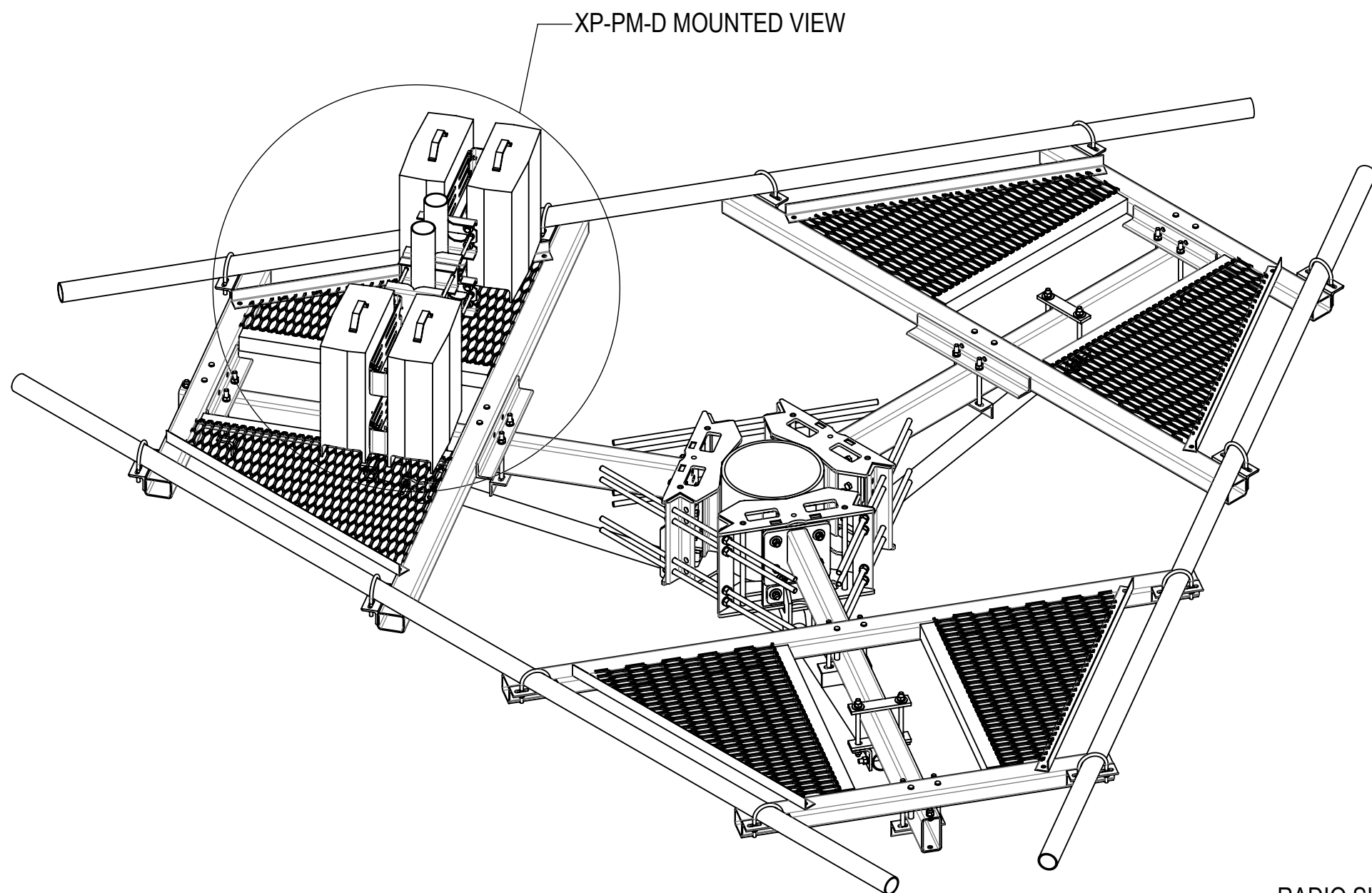
C

B

B

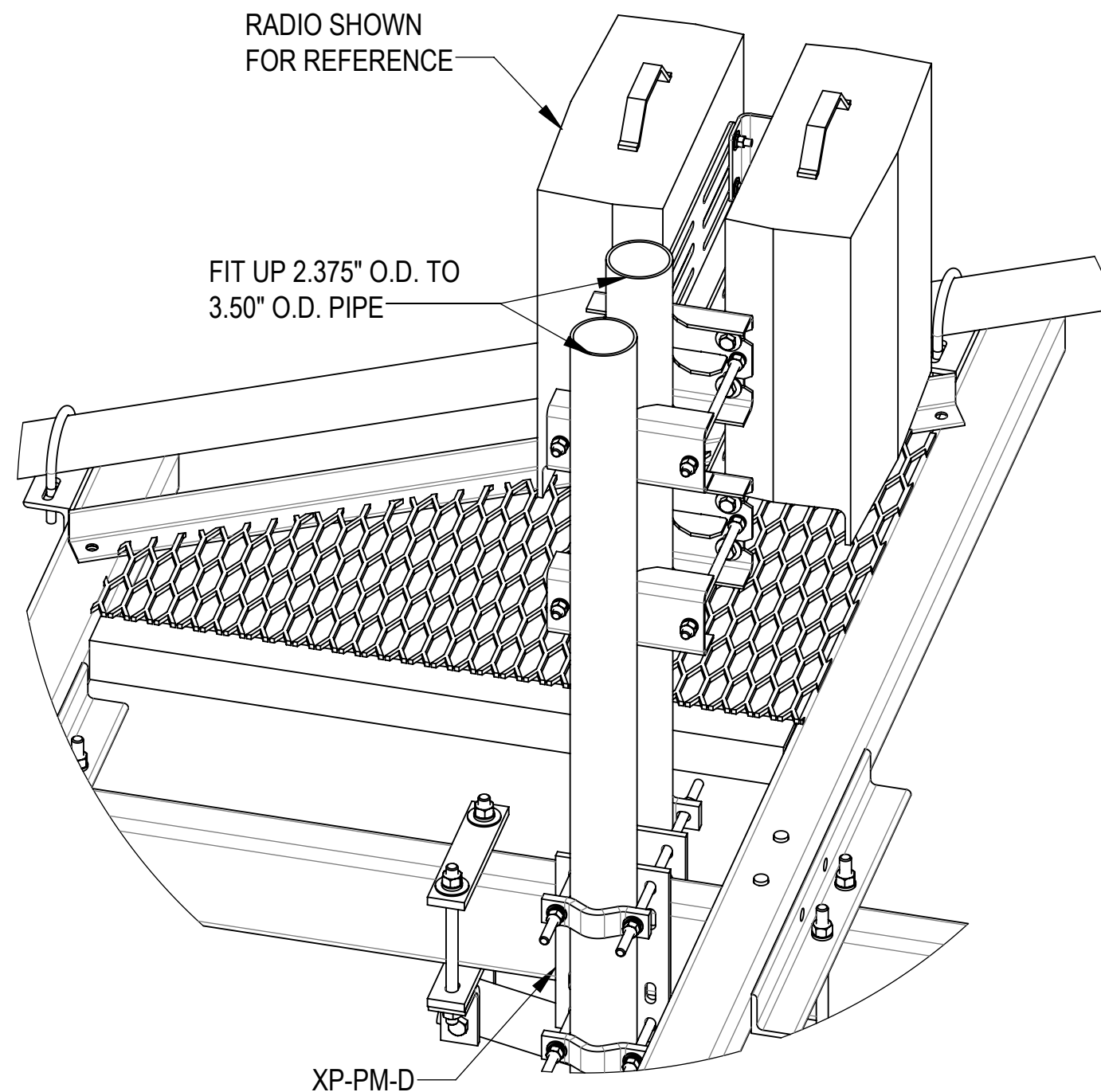
A

A



XP-PM-D MOUNTED VIEW

MOUNTED ON 15' PLATFORM  
SHOWN FOR REFERENCE

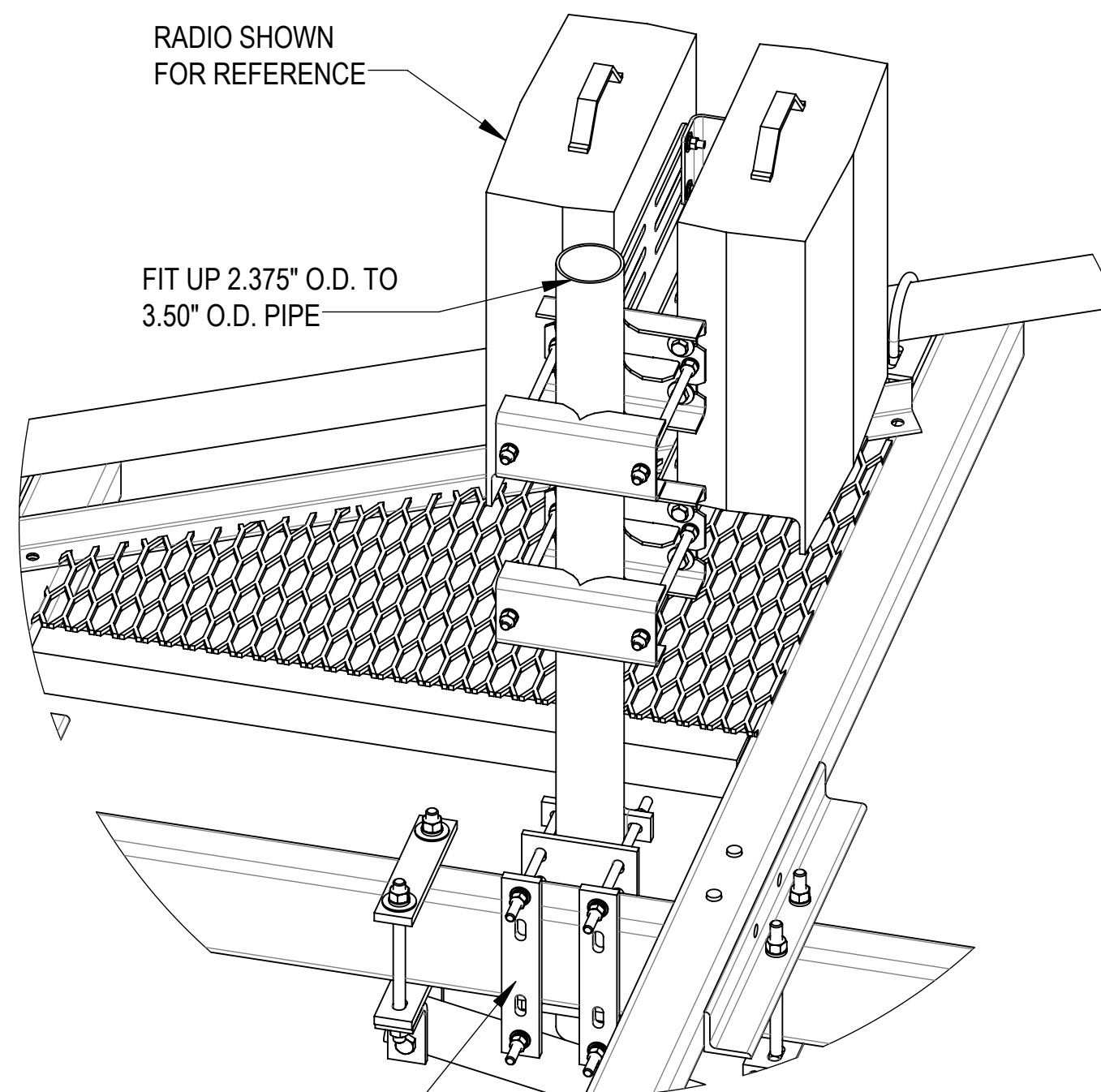


RADIO SHOWN  
FOR REFERENCE

FIT UP 2.375" O.D. TO  
3.50" O.D. PIPE

XP-PM-D

(HIDE ONE SIDE OF THE RRU FOR CLARITY)  
DETAIL XP-PM-D MOUNTED VIEW  
SCALE 1 : 8



RADIO SHOWN  
FOR REFERENCE

FIT UP 2.375" O.D. TO  
3.50" O.D. PIPE

XP-PM-S

DETAIL XP-PM-S MOUNTED VIEW  
SCALE 1 : 8

© 2023 CommScope, Inc. Confidential

COMMSCOPE, INC. OF NORTH CAROLINA				
TITLE MP 3-SECTORS W/HR SERIES				
SIZE C	SCALE 1:20	DOCUMENT NO. MP-PP		
		DRAWING		SHEET
		VERSION 00	STATUS RE	REVISION A

4

3

2

1