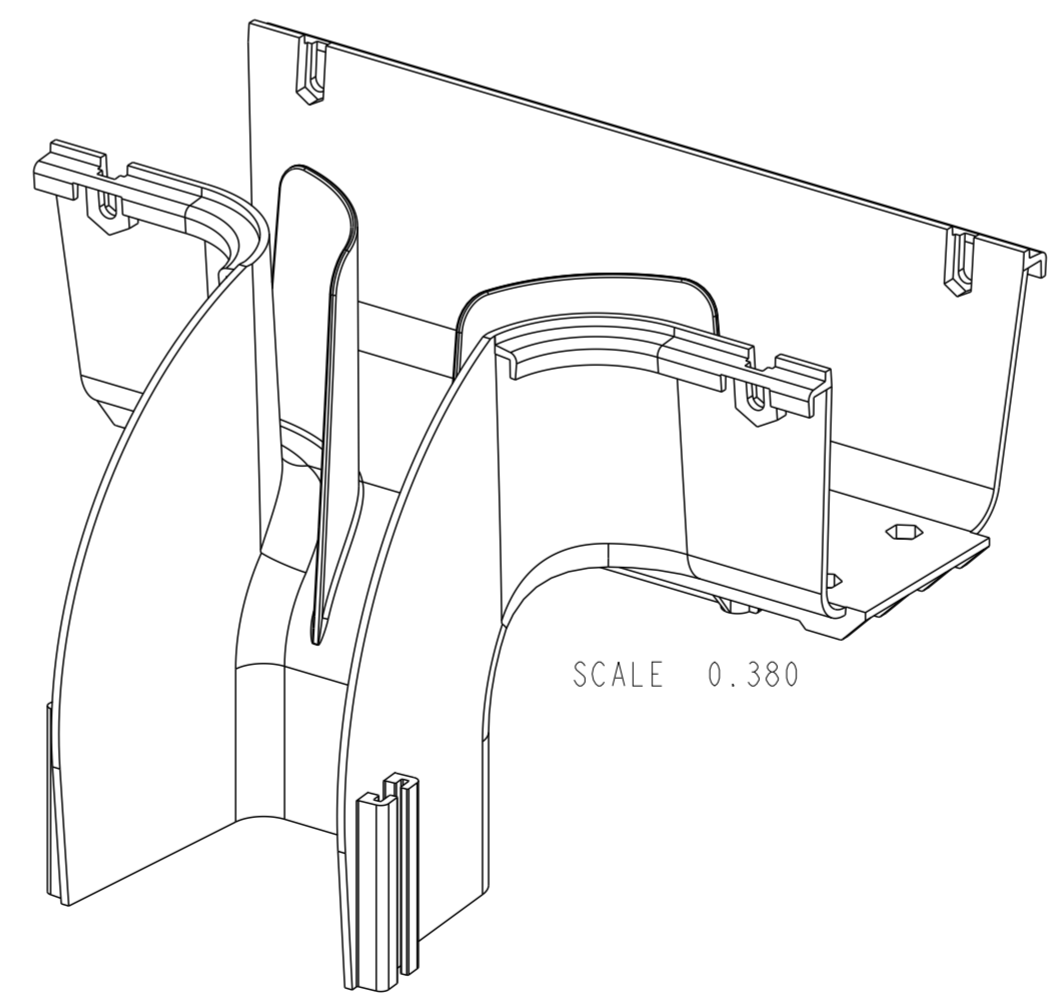
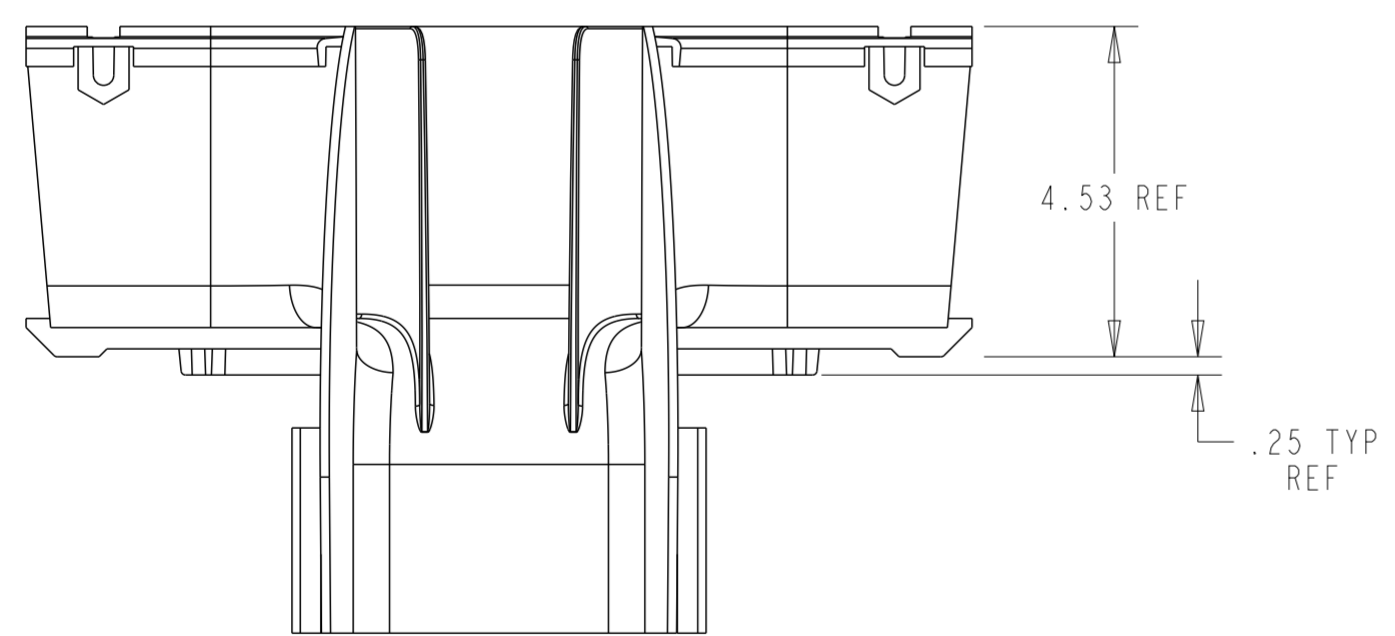
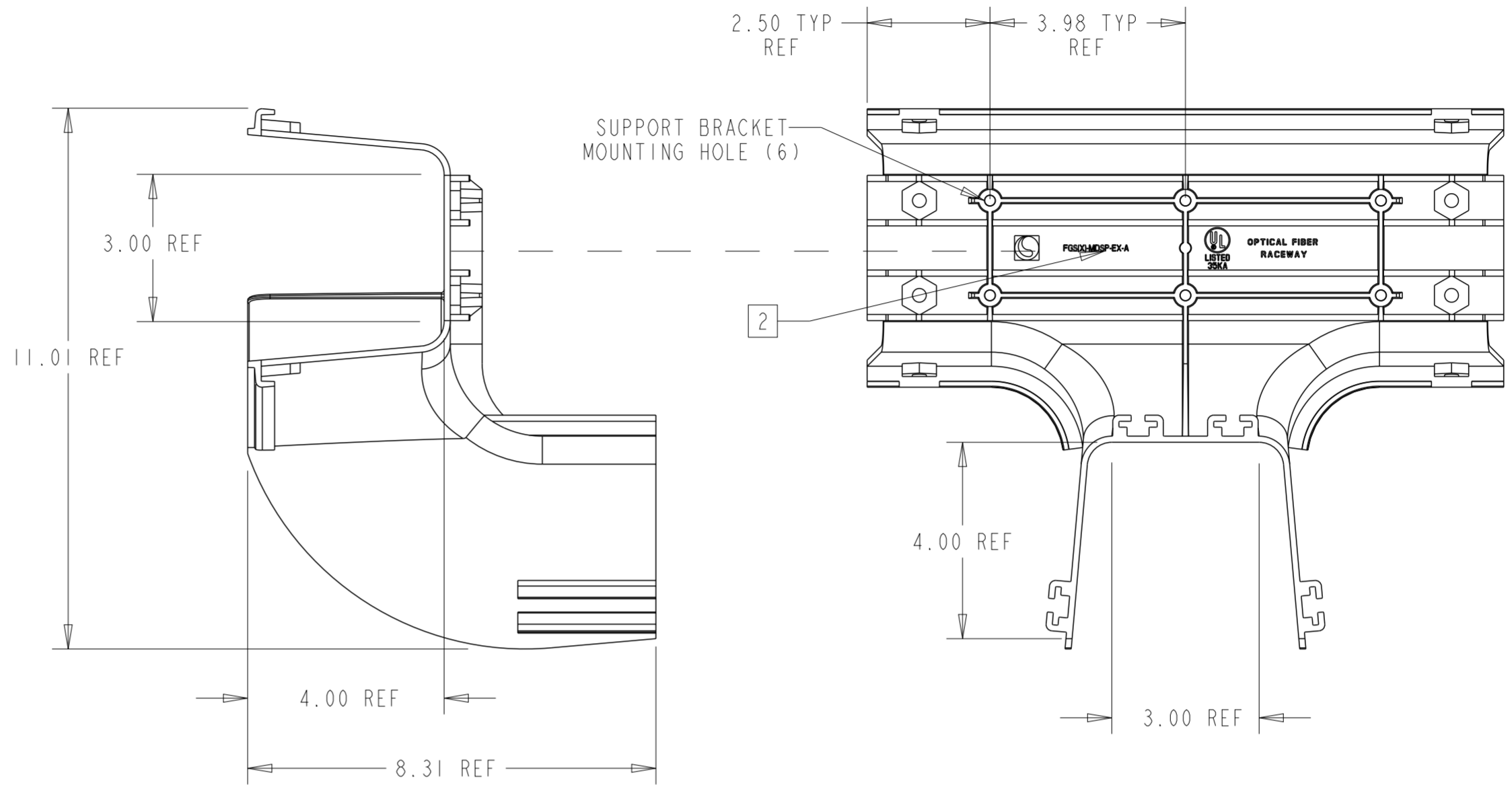
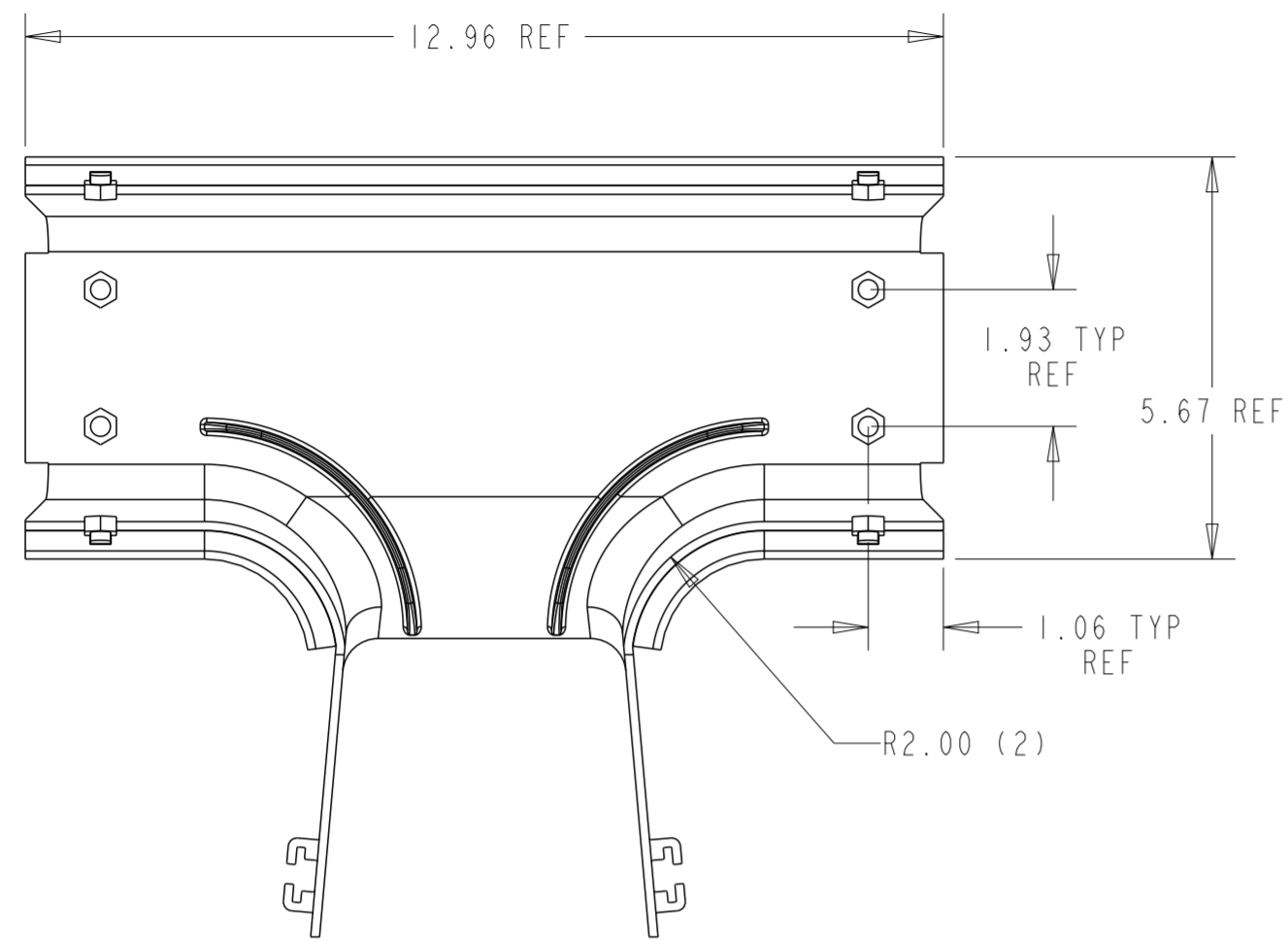


| REVISIONS |             |           |          |
|-----------|-------------|-----------|----------|
| REV       | CMO         | DATE      | APPROVED |
| B         | 20237120CMO | 03-APR-08 | AED      |
| C         | 40174092CMO | 26-SEP-23 | FS       |



|                    |              |
|--------------------|--------------|
| FGSB-MDSP-EX-A     | BLACK        |
| FGS-MDSP-EX-A      | YELLOW       |
| <b>CATALOG NO.</b> | <b>COLOR</b> |

- NOTES:**
- MATERIAL IS SELF EXTINGUISHING WITH A UL 94 RATING OF V-0.
  - SEE TABLE COLUMN #1 FOR THE CATALOG NUMBER.

| COMMSCOPE, INC.  |                   |  |             |                  |                     |         |        |          |        |
|--|-------------------|--|-------------|------------------|---------------------|---------|--------|----------|--------|
| TOLERANCES   |                   |  |             |                  | SAP MATERIAL MASTER |         |        |          |        |
| SEE TABLE  |                   |  |             |                  |                     |         |        |          |        |
| FINISH   |                   |  |             |                  | MATERIAL            |         |        |          |        |
| SEE NOTES  |                   |  |             |                  | SEE BOM             |         |        |          |        |
| UNLESS OTHERWISE SPECIFIED DIMENSIONS ARE IN MILLIMETERS | DRAFTER           |  |             | TITLE            |                     |         |        |          |        |
|  | FERNANDO SALDIVAR |  |             | DWSPT, EXT, 4X4, |                     |         |        |          |        |
|  | CHECKER           |  |             | 4X4 EXIT, FGS    |                     |         |        |          |        |
|  | FERNANDO SALDIVAR |  |             |                  |                     |         |        |          |        |
| ENGINEER   |                   |  | SIZE        | SCALE            | DOCUMENT NO.        |         |        |          |        |
| RUBEN ARVILLA  |                   |  | A2          | 0.380            | 1146783_ADC         |         |        |          |        |
| CMO  |                   |  | 40174092CMO |                  |                     |         |        |          |        |
| ALL SURFACES   | AUTH GRP: ***     |  | MODEL       |                  |                     | DRAWING |        |          | SHEET  |
| ✓  | [Symbol]          |  | VERSION     | STATUS           | REVISION            | VERSION | STATUS | REVISION | 1 OF 1 |
|  |                   |  | ***         |                  |                     | 01      | RE     | C        |        |

© 2023 CommScope, Inc. Confidential  
 NOTICE: These drawings and specifications are the proprietary property of COMMSCOPE, INC. and may be used only for the specific purpose authorized in writing by COMMSCOPE, INC.