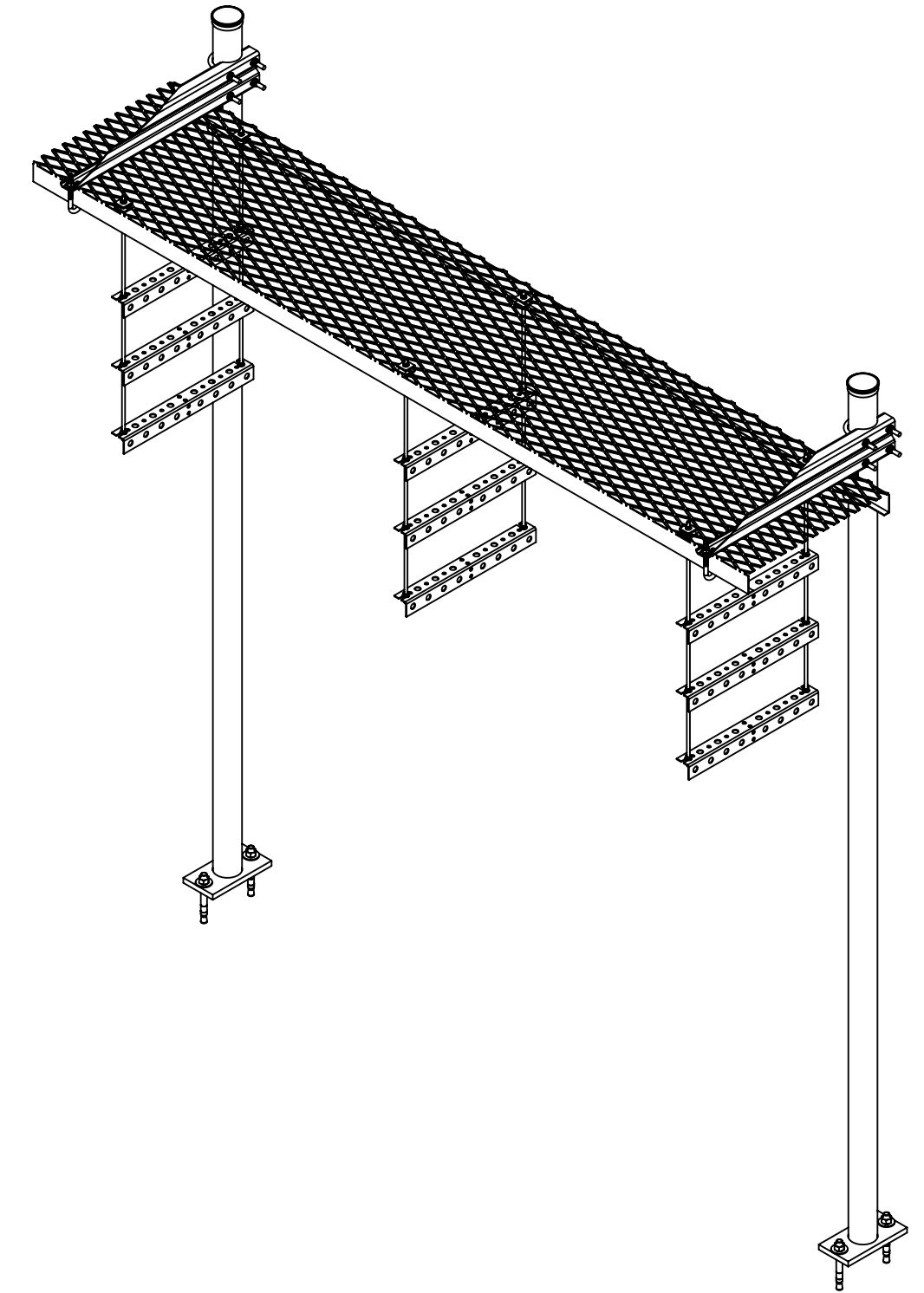
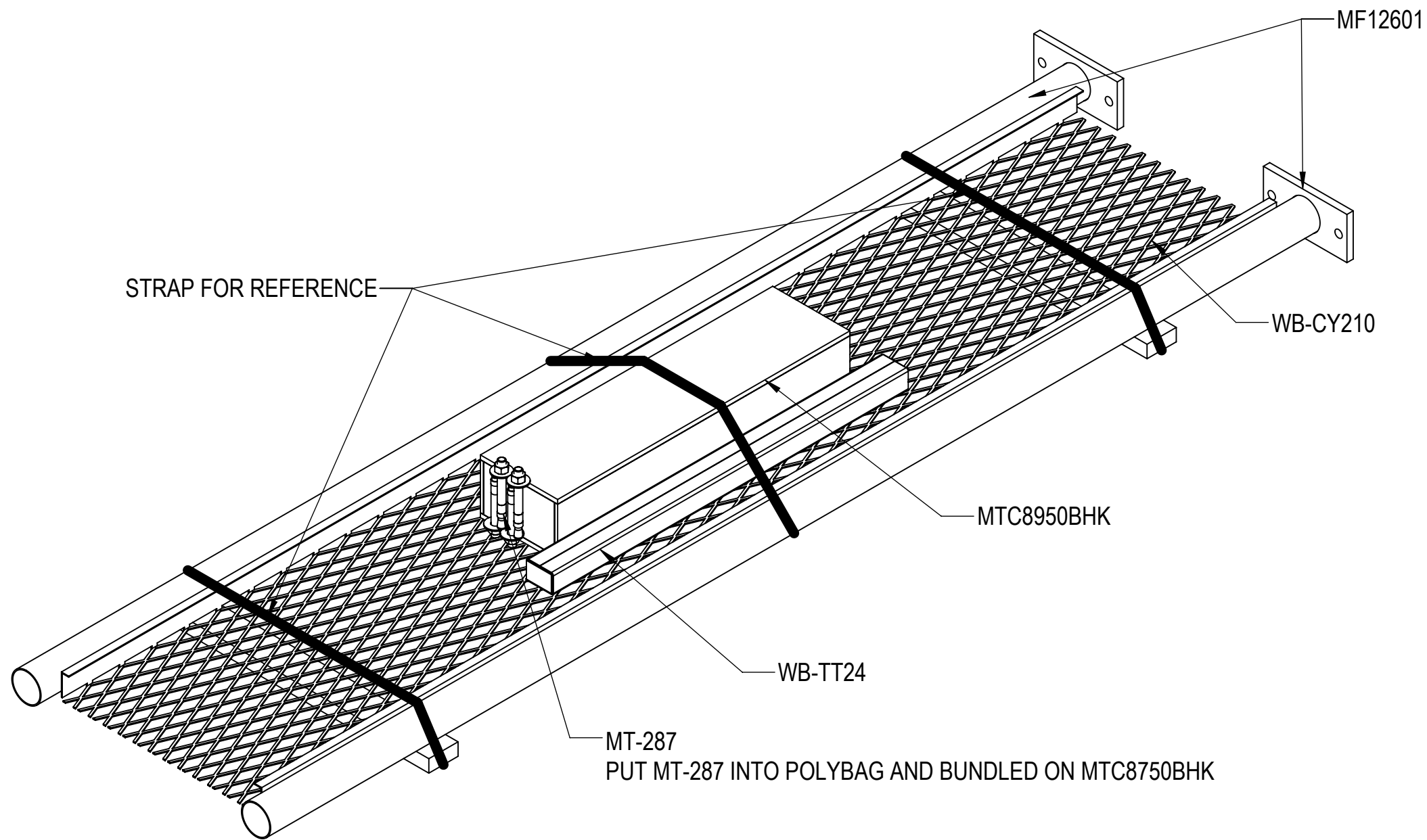


- 1.0 GENERAL NOTES  
 1.1 ALL METRIC DIMENSIONS ARE IN BRACKETS [X. X]  
 1.2 FOR PATENT INFO: <https://www.cs-pat.com>
- 2.0 DESIGN NOTES  
 2.1 ANY HAZARDS OR OBSTRUCTIONS TO THE CLIMBING FACILITY AND SAFETY CLIMB MUST BE IDENTIFIED PRIOR TO INSTALLING THE APPURTENANCE. ADDITIONAL PRODUCTS MAY BE REQUIRED TO MAINTAIN THE INTEGRITY OF THE SAFETY CLIMB. DURING INSTALLATION, TEMPORARY AND/OR PERMANENT PRECAUTIONARY MEASURES SHOULD BE TAKEN TO PRESERVE THE CLIMBING FACILITY AND/OR SAFETY CLIMB.
- 3.0 MANUFACTURING/SPECIAL REQUIREMENTS  
 3.1 TIGHTEN ALL BOLTS SECURING FLAT PLATES BY THE TURN-OF-NUT METHOD. TIGHTEN ALL U-BOLTS USING TURN-OF-NUT METHOD WITH ATTENTION TO LEAVE EQUAL DISTANCE AND EQUAL FORCE ON EACH LEG OF THE U-BOLT.
- 4.0 TEST
- 5.0 PACKAGING  
 5.1 PACKAGING SHALL MEET COMMSCOPE REQUIREMENTS PER DOCUMENT IS-PL-3005  
 5.2 PRINTED DOCUMENT TO BE PLACED INSIDE POLYBAG AND THEN IN SHIPPING CONTAINER  
 5.3 EXTRA HARDWARE MAY BE SUPPLIED, BAGGED AND SHIPPED

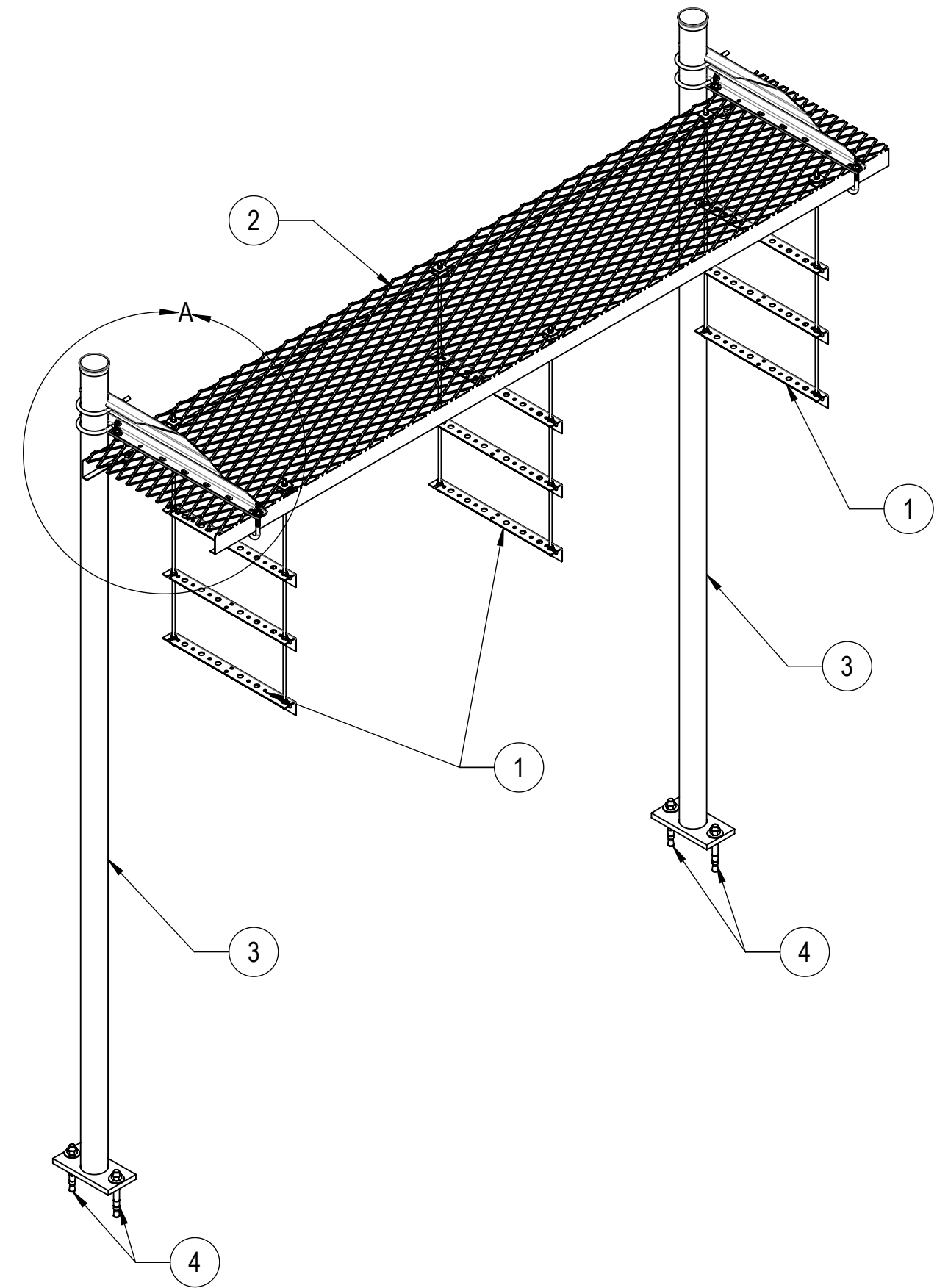
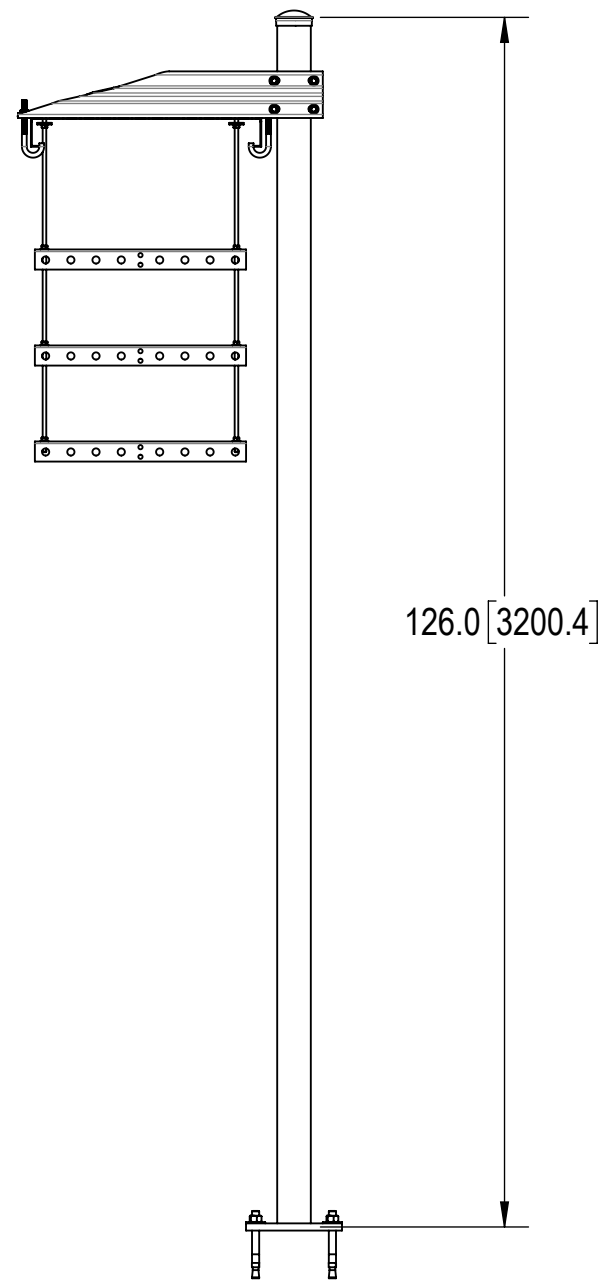
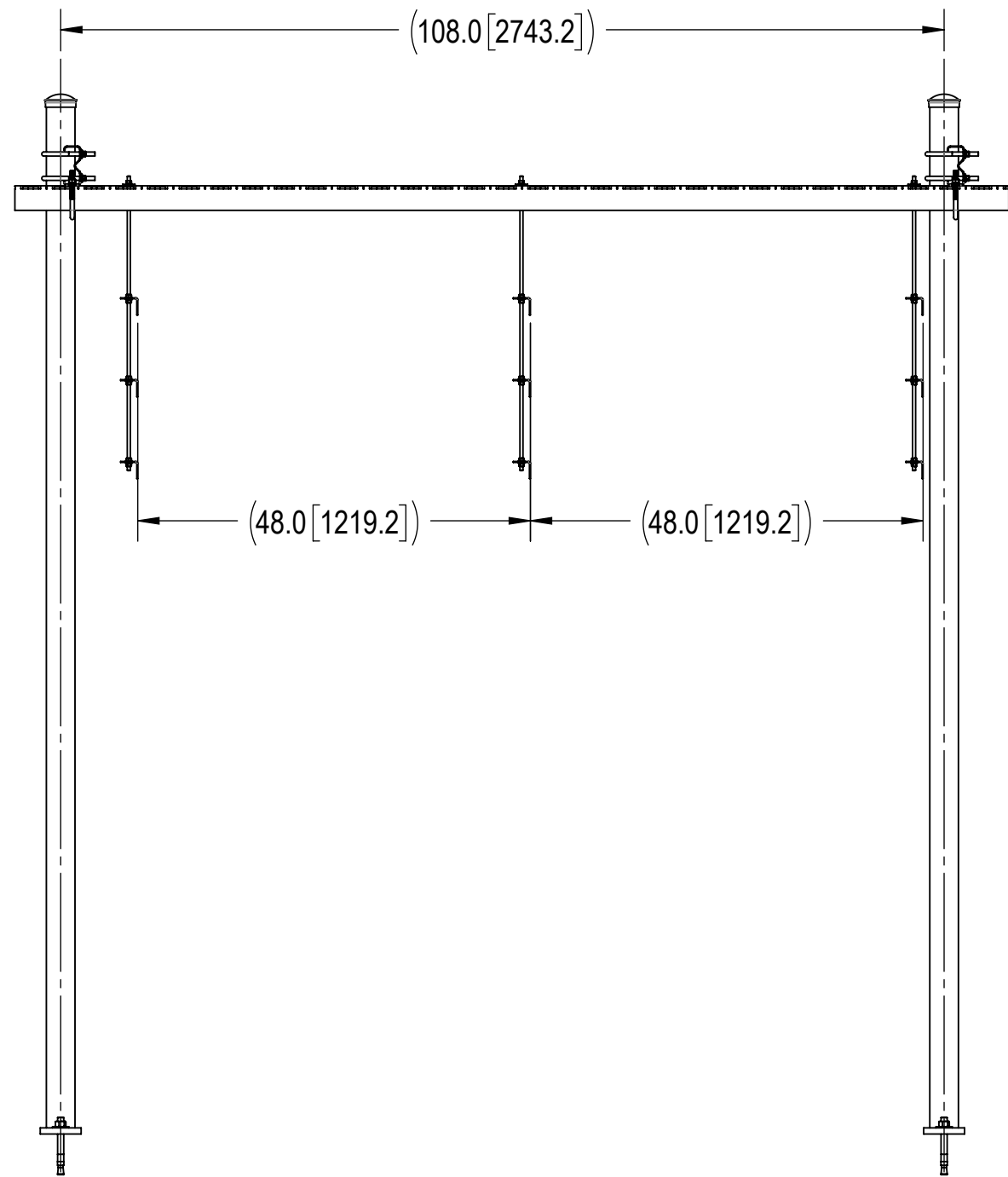
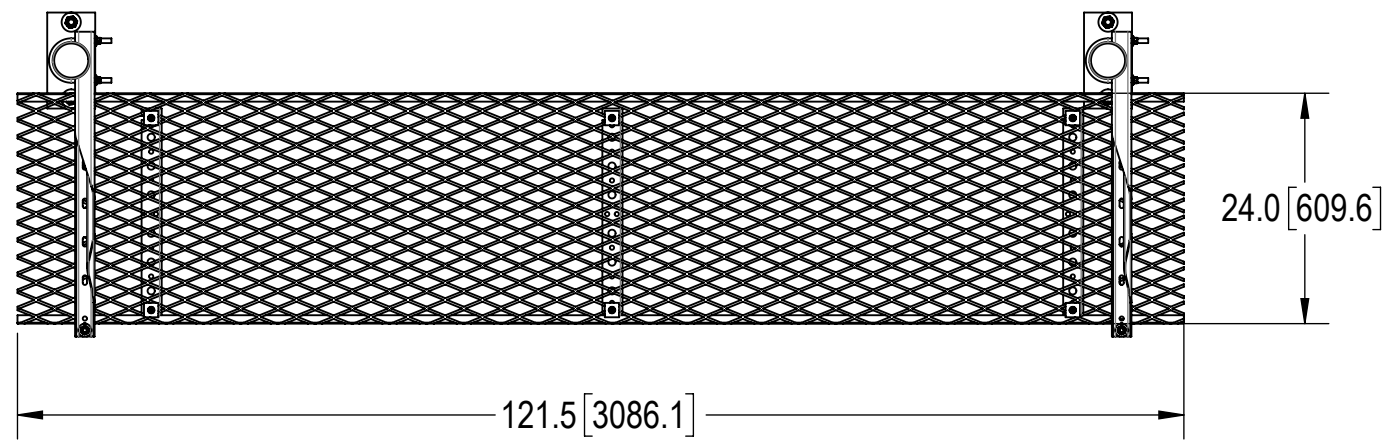
REVISIONS			
REV.	DESCRIPTION	DATE	APPROVED
A	INITIAL RELEASE	JL1183 13DEC23	XK1001 40185138CMO



DENSITY		lbs/in <sup>3</sup>
MASS	216.44	lbs
VOLUME	763.03	in <sup>3</sup>
SURFACE AREA	12945.80	in <sup>2</sup>
HEIGHT	132.1"	
LENGTH	121.5"	
WIDTH	33.8"	

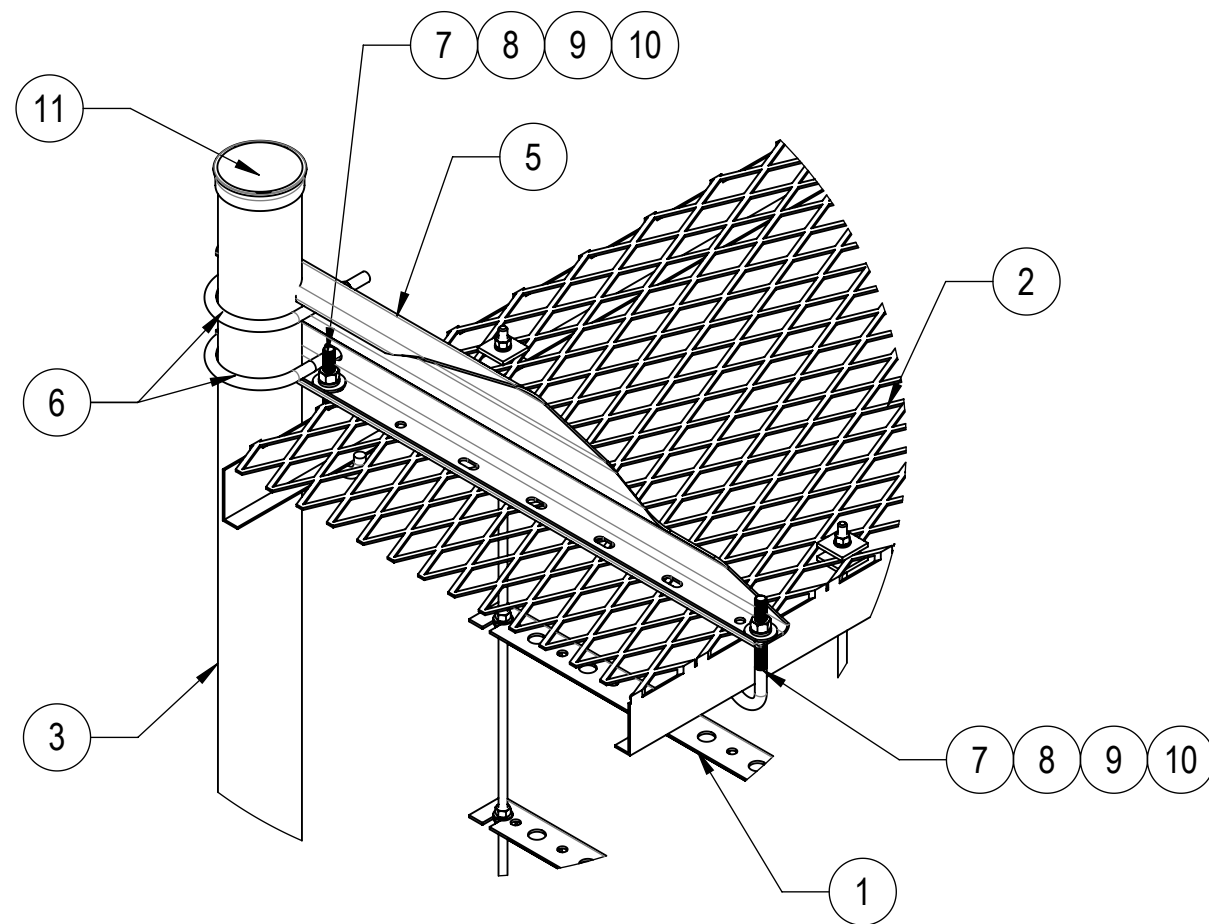
**COMMSCOPE, INC. OF NORTH CAROLINA**

TOLERANCES		SAP MATERIAL MASTER						
1 PLACE .X[X] ± 0.12[3.0]	3 PLACE .XXX[X] ± 0.030[0.8]	<b>WB-K210-S-T</b>						
2 PLACE .XX[X] ± 0.06[1.5]	ANGLES ± 2°							
FINISH		MATERIAL						
UNLESS OTHERWISE SPECIFIED DIMENSIONS ARE IN INCHES INTERPRET PER ANSI Y 14.5M-1994		NAME	DATE	<b>ICE-BRIDGE 24"Wx12"L BASE-SHOE 3X6TRAP</b>				
		CE JL1183	13DEC23					
		RW JL1183	12/13/2023					
		AD XK1001	12/13/2023					
		RE JL1183	12/13/2023					
ECN 40185138CMO		SCALE	DOCUMENT NO.					
		<b>1:20</b>	<b>WB-K210-S-T</b>					
SIZE	Auth Group	INSL	MODEL	DRAWING			SHEET 1 OF 2	
C			VERSION	STATUS	REVISION	VERSION		STATUS
			00	RE	A	00	RE	A



COMPONENT PART NUMBERS PROVIDED FOR ASSEMBLY PURPOSES;  
INDIVIDUAL COMPONENTS MAY BE SHIPPED AS PARTS WITHIN AN INCLUDED KIT

ITEM	PART NO.	DESCRIPTION	QTY.	WEIGHT	NOTE NO.
1	WB-TT24	TRAPEZE KIT, 24" WIDE, 3 RUNG	3	11.14 LBS	
2	WB-CY210	SAFETY GRATED WAVEGUIDE BRIDGE CHANNEL	1	49.84 LBS	
3	MF126.01	BASE SHOE	2	53.86 LBS	
4	MT-287	3/4" ANCHOR BOLT	4	1.08 LBS	
5	WBLB24308	24" WAVEGUIDE BRIDGE SUPPORT BRACKET	2	7.14 LBS	
6	GUB-4356	1/2" X 3-5/8" X 6" GALV U-BOLT	4	0.81 LBS	
7	WBJB6	1/2" J-BOLT	4	0.41 LBS	
8	GWF-04	1/2" GALV FLAT WASHER	4	0.04 LBS	
9	GWL-04	1/2" GALV LOCK WASHER	4	0.01 LBS	
10	GN-04	1/2" GALV HEX NUT	4	0.04 LBS	
11	PC-034	PIPE CAP 3-1/2"	2	0.66 LBS	



DETAIL A  
SCALE 1 : 8

© 2023 CommScope, Inc. Confidential

COMMSCOPE, INC. OF NORTH CAROLINA				
TITLE ICE-BRIDGE 24"Wx12'L BASE-SHOE 3X6TRAP				
SIZE C	SCALE 1:20	DOCUMENT NO. WB-K210-S-T		
		DRAWING		SHEET
		VERSION	STATUS	REVISION
		00	RE	A
				SHEET 2 OF 2