

# VC-GPSWM

---



GPS Antenna Wall Mount, 1.05 in OD x 48 in

## Product Classification

**Product Type** Wall mount kit

## General Specifications

**Mounting** Walls

**Pipe, quantity** 1

## Dimensions

**Height** 254 mm | 10 in

**Width** 254 mm | 10 in

**Length** 1,219.2 mm | 48 in

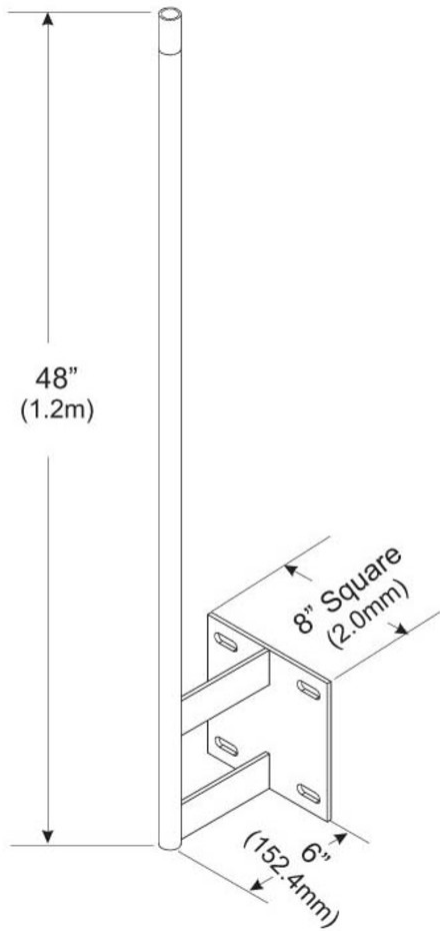
**Pipe Length** 1,219.2 mm | 48 in

**Pipe Outer Diameter** 27.94 mm | 1.1 in

# VC-GPSWM

---

## Outline Drawing



## Material Specifications

**Material Type** Hot dip galvanized steel

## Mechanical Specifications

**Wind Rating** For Specifications, please contact [steelproducts@commscope.com](mailto:steelproducts@commscope.com) or call 800-255-1479

## Packaging and Weights

**Included** Mount

**Packaging quantity** 1

**Weight, net** 4.8 kg | 10.582 lb

# VC-GPSWM

---

## Regulatory Compliance/Certifications

Agency	Classification
CHINA-ROHS	Above maximum concentration value
ISO 9001:2015	Designed, manufactured and/or distributed under this quality management system
ROHS	Compliant/Exempted
UK-ROHS	Compliant/Exempted



### \* Footnotes

**Wind Rating** BWS—Base Wind Speed; FBC—Florida Building Code