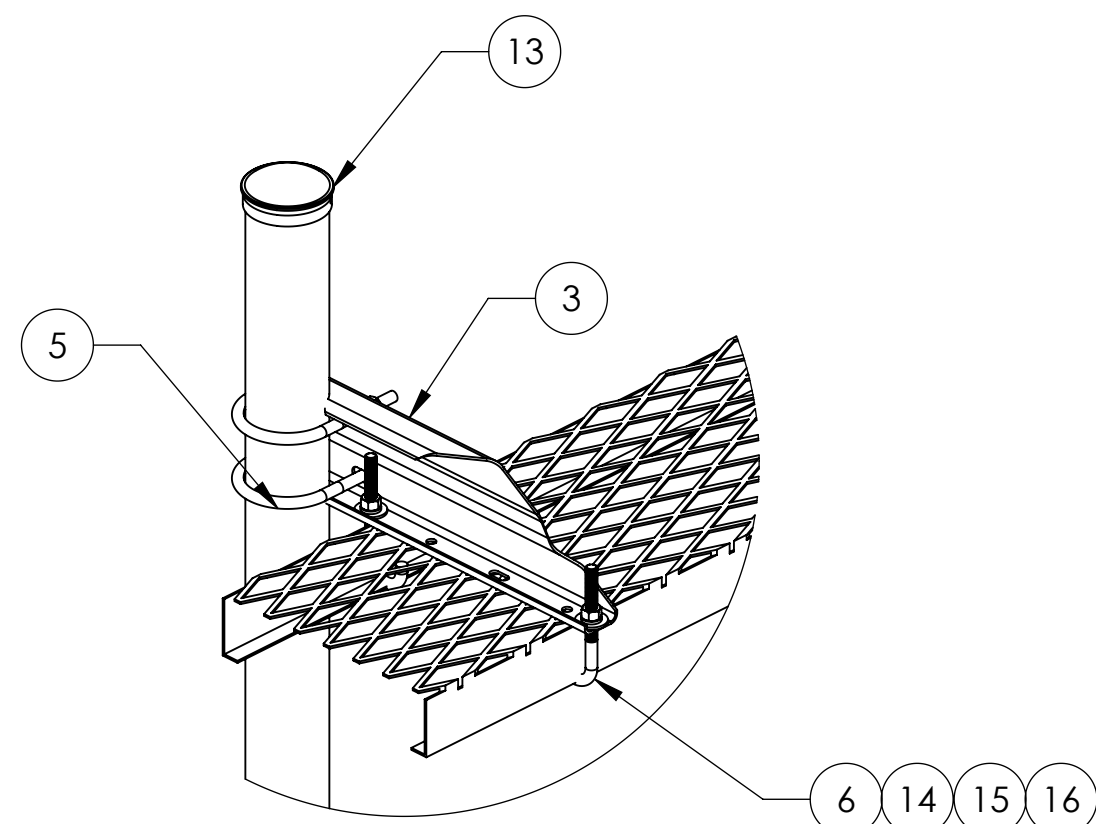
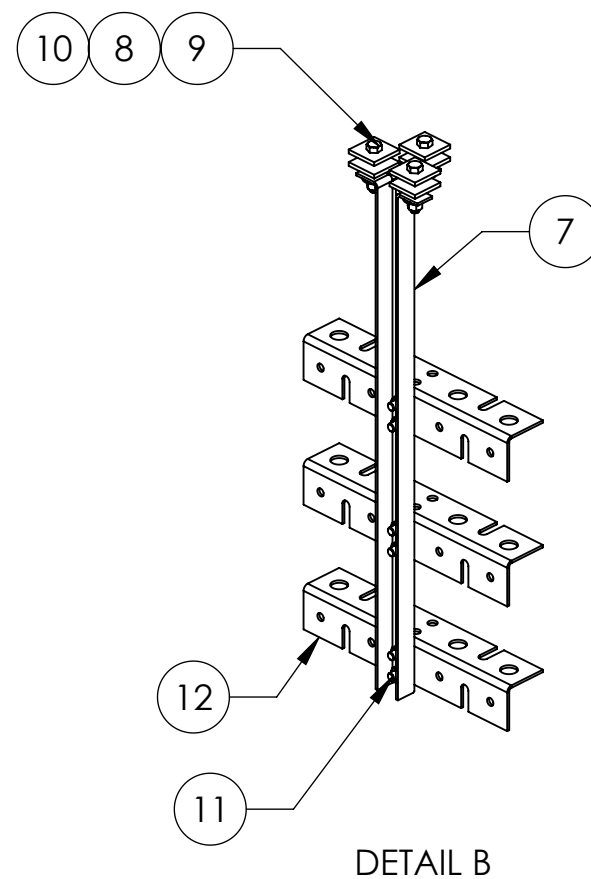


ITEM NO.	PART NUMBER	DESCRIPTION	QTY.	WEIGHT
1	MT547216	PIPE, 3 1/2" OD X 216", PLAINEND,GALV	2	136.86 LBS
2	WB-CY110	SAFETY GRATING 12" X 10'	1	70.00 LBS
3	WBLB12307	12" WAVEGUIDE BRIDGE SUPPORT BRACKET	2	4.71 LBS
4	WBK110BHK	HARDWARE KIT (ITEMS 4-16)	1	
5	GUB-4356	1/2" X 3-5/8" X 6" GALV U-BOLT	4	0.83 LBS
6	WBJB6	1/2" J-BOLT	4	0.50 LBS
7	WBT243.01	VERTICAL TRAPEZE SECTION	3	2.53 LBS
8	MT-387	SQUARE WASHER, 1-1/2" X 1-1/2" W/ 7/16"	18	0.12 LBS
9	GB-03205	3/8" X 2" GALV BOLT KIT	9	0.27 LBS
10	GWF-03	3/8" DIA FLAT WASHER, TYPE A NARROW	9	0.01 LBS
11	GB-03105	3/8" X 1" GALV BOLT KIT	18	0.27 LBS
12	WBT123.02	12" HORIZONTAL TRAPEZE SECTION	9	1.46 LBS
13	PC-034	PIPE CAP 3-1/2"	2	0.94 LBS
14	GWF-04	1/2" GALV FLAT WASHER	4	0.02 LBS
15	GWL-04	1/2" GALV LOCK WASHER	4	0.01 LBS
16	GN-04	1/2" GALV HEX NUT	4	0.04 LBS

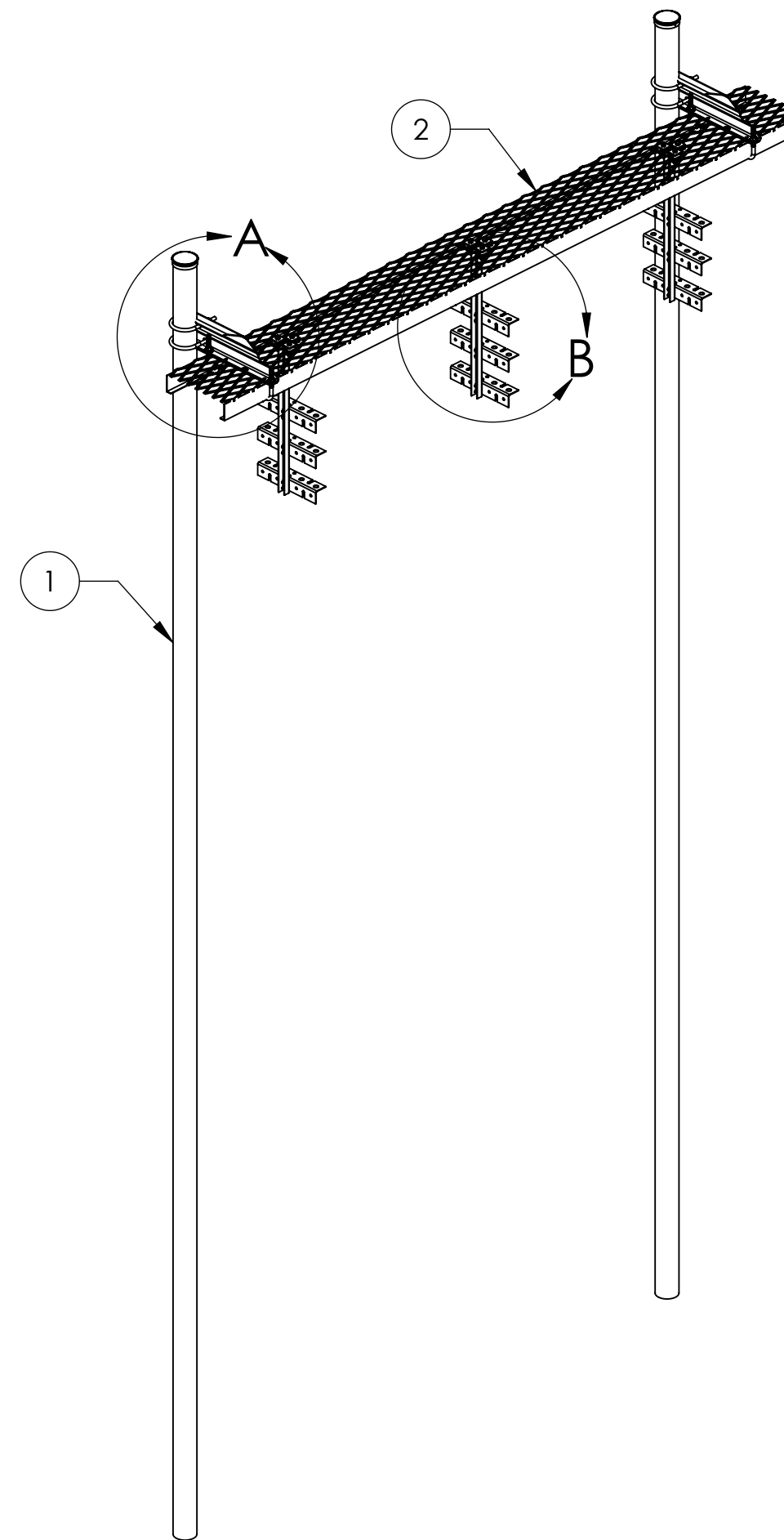
REVISIONS				
REV.	IPS	DESCRIPTION	BY	DATE
A	11893PC	NEW RELEASED	XZ1054	05/13/2021



DETAIL A



DETAIL B



COMMSCOPE, INC. OF NORTH CAROLINA

TOLERANCES		SAP MATERIAL MASTER
1 PLACE .X±	SEE NOTE 1	3 PLACE .XXX±
2 PLACE .XX±	ANGLES ±	

FINISH	MATERIAL
GALV A123	A36

NAME	DATE	TITLE
CE XZ1054	04/26/2021	WAVEGUIDE BRIDGE KIT
RW XZ1054	05/13/2021	
AD BCROSS	05/19/2021	
RE HDAI	05/20/2021	
ECN 11893PC		

SCALE	DOCUMENT NO.
1:1	WB-K110-B18

DENSITY	0.28	lbs/in ³
MASS	352.13	lbs
VOLUME	1239.37	in ³
SURFACE AREA	14340.49	in ²
HEIGHT	216.7"	
LENGTH	120.0"	
WIDTH	20.15"	

SIZE	Auth Group	INSL	MODEL			DRAWING			SHEET
C			VERSION	STATUS	REVISION	VERSION	STATUS	REVISION	1 OF 1
			00	RE	A	00	RE	A	

NOTES:
 1.0 UNLESS OTHERWISE SPECIFIED: UNITS ARE INCH[MILLIMETER].
 TOLERANCE ARE: BEND: ±0.50; PUNCH: LINEAR ±0.20, ANGULAR: ±0.5°; HOLES: +0.10 -0.00.
 2.0 ALL BASE MATERIALS COMPONENTS AND PROCESS MUST BE ROHS-COMPLIANT.
 3.0 NO SANDING OR GRINDING OF FACES ALLOWED. REMOVE SHARP EDGES.