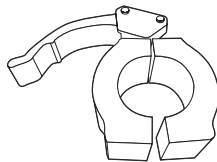
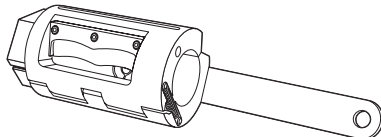
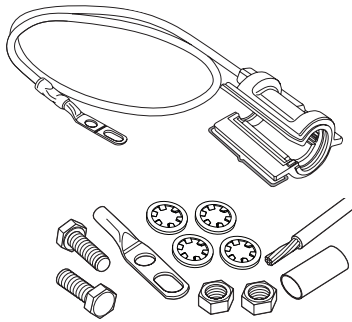


**Compact SureGround Plus™
Version 2 Grounding Kit* for
Coaxial Cables**

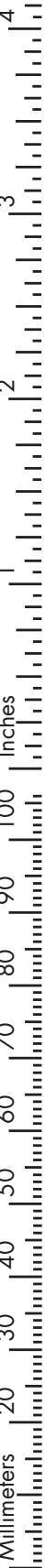
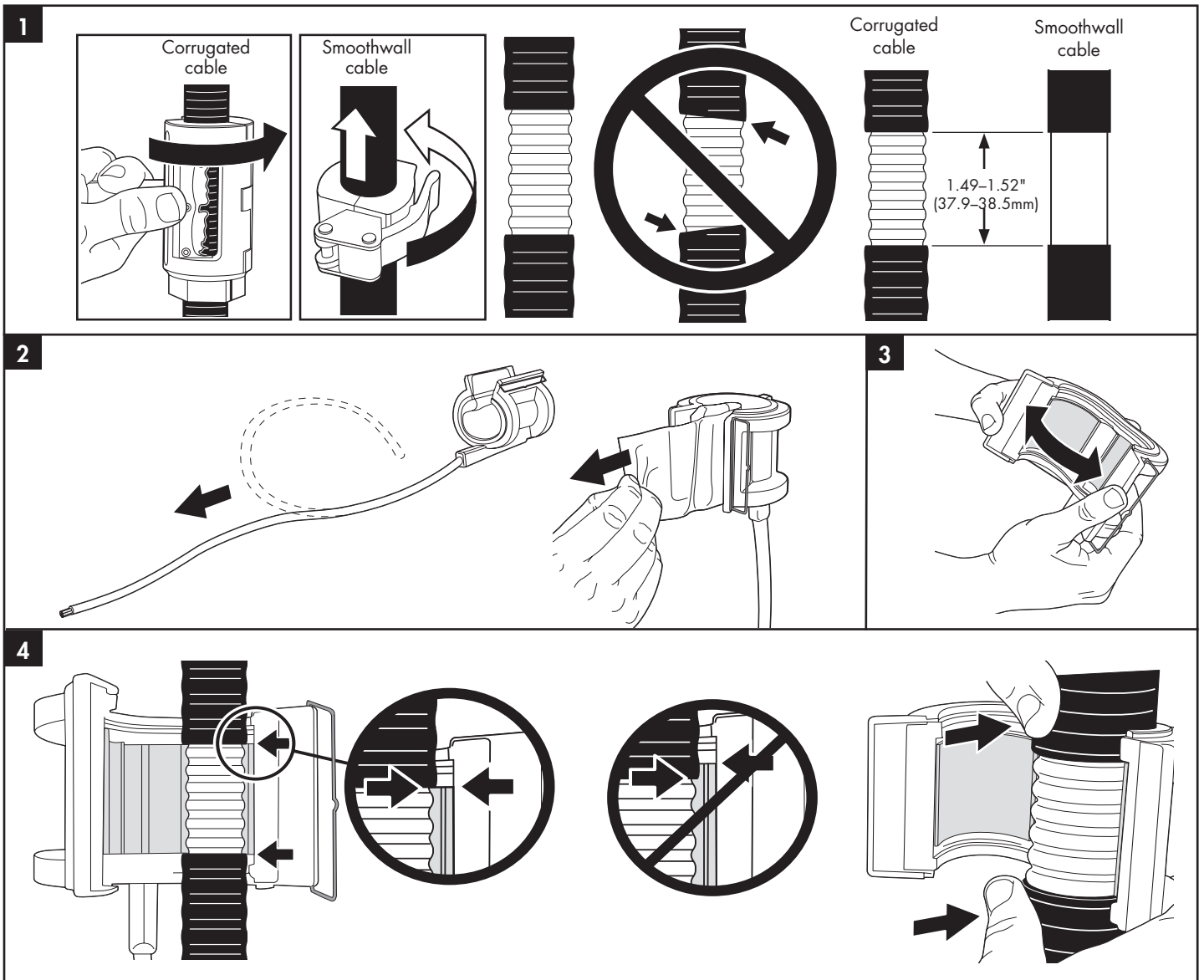
Bulletin 7626454 Rev G | Page 1 of 2

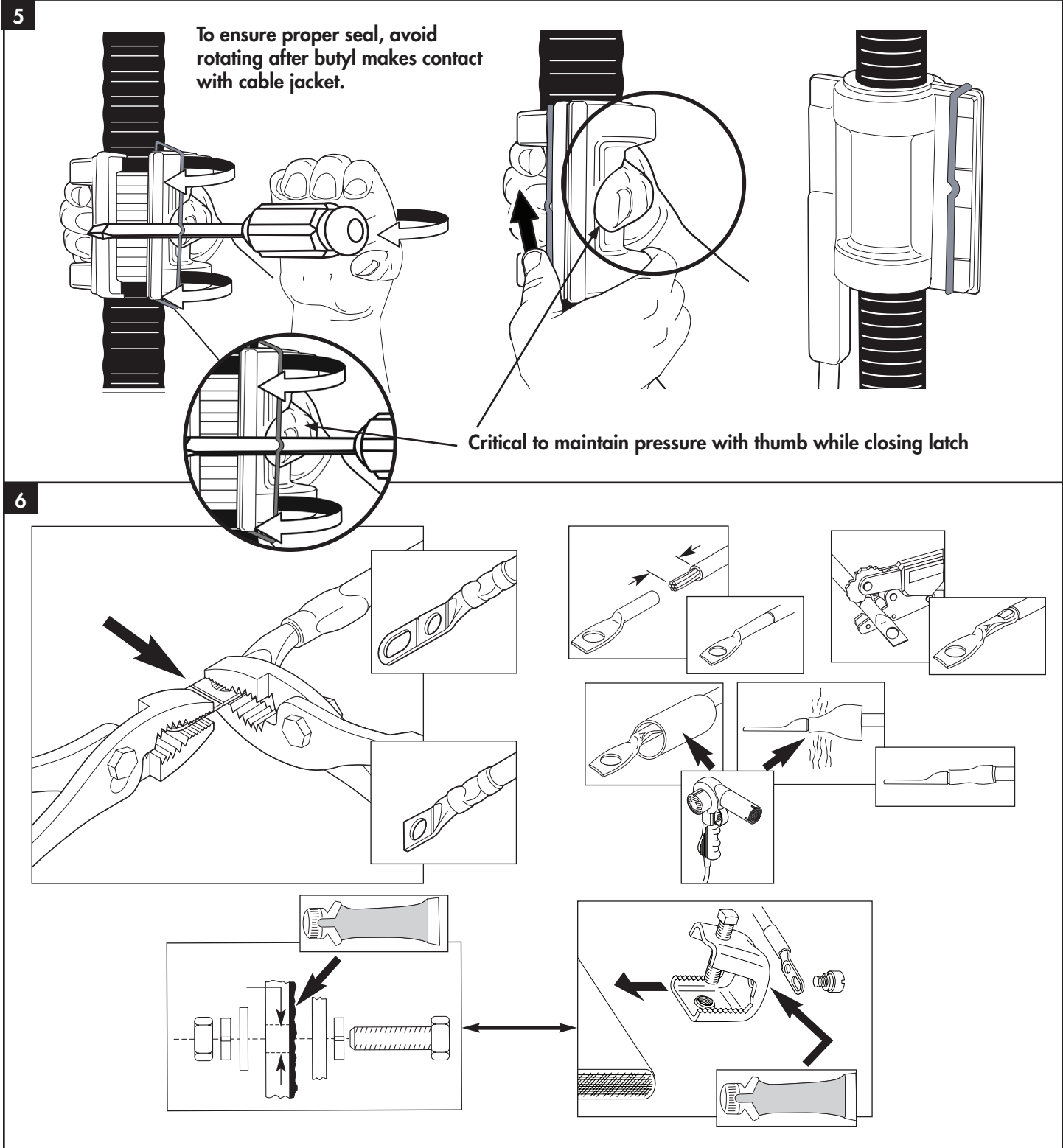
*Patents, see adwpat.com



Part Number	Description
GKT-L4SG	Grounding kit stripping tool for corrugated 1/2" cable
GKT-78SG	Grounding kit stripping tool for corrugated 7/8" cable
GKT-114SG	Grounding kit stripping tool for corrugated 1-1/4" cable
GKT-158SG	Grounding kit stripping tool for corrugated 1-5/8" cable

Part Number	Description
540-MSS	Multi-turn stripping tool for 1/2" smoothwall cable
780-MSS	Multi-turn stripping tool for 7/8" smoothwall cable
1480-MSS	Multi-turn stripping tool for 1-1/4" smoothwall cable
1873-MSS	Multi-turn stripping tool for 1-5/8" smoothwall cable





ANDREW an Amphenol company
 2601 Telecom Parkway, Richardson, Texas, 75082, USA
www.andrew.com

Technical Support
 +1 888 297 6433, Option 3 (Toll Free US and Canada)
awpnarsupport@andrew.com

Notice: ANDREW disclaims any liability or responsibility for the results of improper or unsafe installation, inspection, maintenance, or removal practices.
 Aviso: ANDREW no acepta ninguna obligación ni responsabilidad como resultado de prácticas incorrectas o peligrosas de instalación, inspección, mantenimiento o retiro.
 Avis: ANDREW décline toute responsabilité pour les conséquences de procédures d'installation, d'inspection, d'entretien ou de retrait incorrectes ou dangereuses.
 Hinweis: ANDREW lehnt jede Haftung oder Verantwortung für Schäden ab, die aufgrund unsachgemäßer Installation, Überprüfung, Wartung oder Demontage auftreten.
 Atenção: A ANDREW abdica do direito de toda responsabilidade pelos resultados de práticas inadequadas e sem segurança de instalação, inspeção, manutenção ou remoção.
 Avvertenza: ANDREW declina eventuali responsabilità derivanti dall'esecuzione di procedure di installazione, ispezione, manutenzione e smontaggio improprie o poco sicure.
 注意: ANDREW 公司申明對於不恰當或不安全的安裝、檢驗、維修或拆卸操作所導致的後果不負責任 何義務和責任