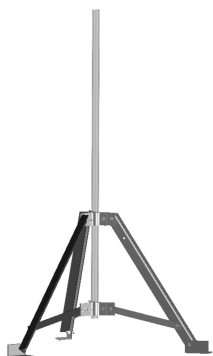


TP-G238-126



Universal Tripod Mount, 2-3/8 in OD x 126 in pipe

Product Classification

Product Type Tripod mount

General Specifications

Mounting Surfaces

Note One 6 ft microwave antenna using 4-1/2 in pipe mast

Pipe, quantity 1

Dimensions

Height 3,200.4 mm | 126 in

Width 1524 mm | 60 in

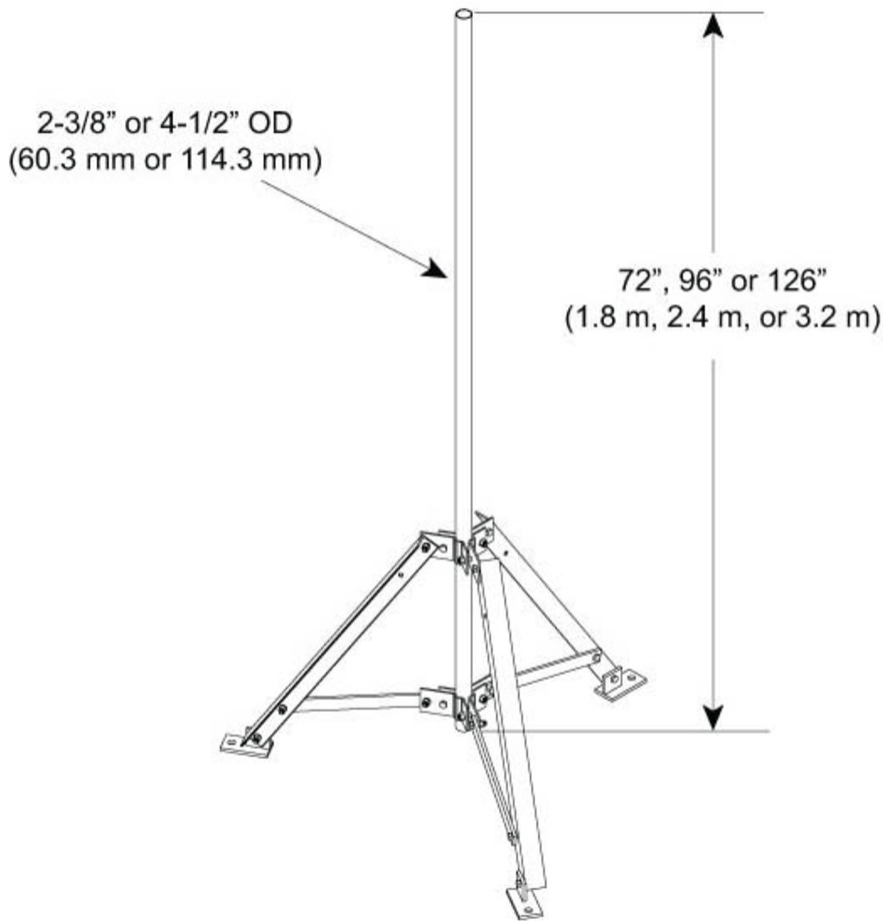
Length 1.524 m | 5 ft

Pipe Length 3,200.4 mm | 126 in

Pipe Outer Diameter 60.96 mm | 2.4 in

TP-G238-126

Outline Drawing



Material Specifications

Material Type Hot dip galvanized steel

Mechanical Specifications

Wind Rating 85 mph (BWS) at 100 ft AGL using Exposure C per UBC

Wind Rating Test Method TIA/EIA-222

Packaging and Weights

Included Mount, with or without pipe

Packaging quantity 1

TP-G238-126

Weight, net

69 kg | 152.119 lb

Regulatory Compliance/Certifications

Agency

ISO 9001:2015

Classification

Designed, manufactured and/or distributed under this quality management system



Included Products

- MT-537 – Plain End Pipe, 2-3/8 in OD x 126 in .120" A500C 46Ksi
- TP-G238-B – Universal Tripod Mount, base only, pipe not included

* Footnotes

Wind Rating

BWS—Base Wind Speed; FBC—Florida Building Code

MT-537



Plain End Pipe, 2-3/8 in OD x 126 in .120" A500C 46Ksi

A500 46 ksi steel

Product Classification

Product Type Plain end pipe

General Specifications

Pipe, quantity 1

Dimensions

Height 60.96 mm | 2.4 in

Width 60.96 mm | 2.4 in

Length 3,200.4 mm | 126 in

Pipe Length 3,200.4 mm | 126 in

Pipe Outer Diameter 60.96 mm | 2.4 in

Material Thickness 3.048 mm | 0.12 in

Material Specifications

Material Type A500 | Hot dip galvanized steel

Material Grade C

Material Strength 46 KSI

Packaging and Weights

Included Pipe

Packaging quantity 1

Weight, net 18 kg | 39.683 lb

Regulatory Compliance/Certifications

Agency

CHINA-ROHS

ISO 9001:2015

Classification

Below maximum concentration value

Designed, manufactured and/or distributed under this quality management system

MT-537

REACH-SVHC

Compliant as per SVHC revision on www.commscope.com/ProductCompliance

ROHS

Compliant

UK-ROHS

Compliant



TP-G238-B



Universal Tripod Mount, base only, pipe not included

Product Classification

Product Type Tripod mount

General Specifications

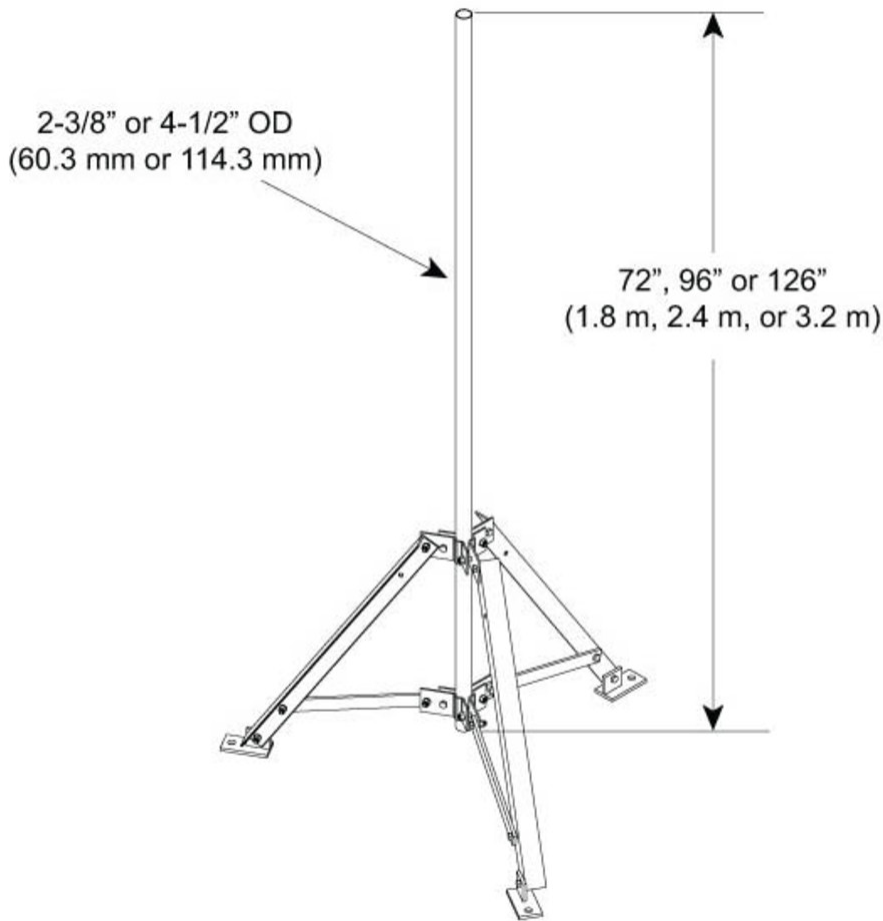
Mounting Surfaces
Note One 6 ft microwave antenna using 4-1/2 in pipe mast
Pipe, quantity 0

Dimensions

Height 838.2 mm | 33 in
Width 1524 mm | 60 in
Length 1.524 m | 5 ft
Pipe Length 0 mm | 0 in
Pipe Outer Diameter 60.96 mm | 2.4 in

TP-G238-B

Outline Drawing



Material Specifications

Material Type Hot dip galvanized steel

Mechanical Specifications

Wind Rating 85 mph (BWS) at 100 ft AGL using Exposure C per UBC

Wind Rating Test Method TIA/EIA-222

Packaging and Weights

Included Mount, with or without pipe

Packaging quantity 1

TP-G238-B

Weight, net

51.9 kg | 114.42 lb

Regulatory Compliance/Certifications

Agency

ISO 9001:2015



Classification

Designed, manufactured and/or distributed under this quality management system

* Footnotes

Wind Rating

BWS—Base Wind Speed; FBC—Florida Building Code