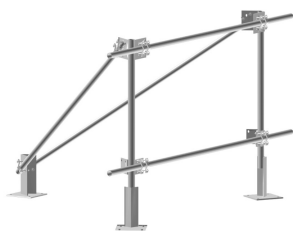


TP-100



Rooftop Mount

Product Classification

Product Type Rooftop mount

General Specifications

Mounting Penetrating

Dimensions

Height 1905 mm | 75 in

Face Width 3.353 m | 11 ft

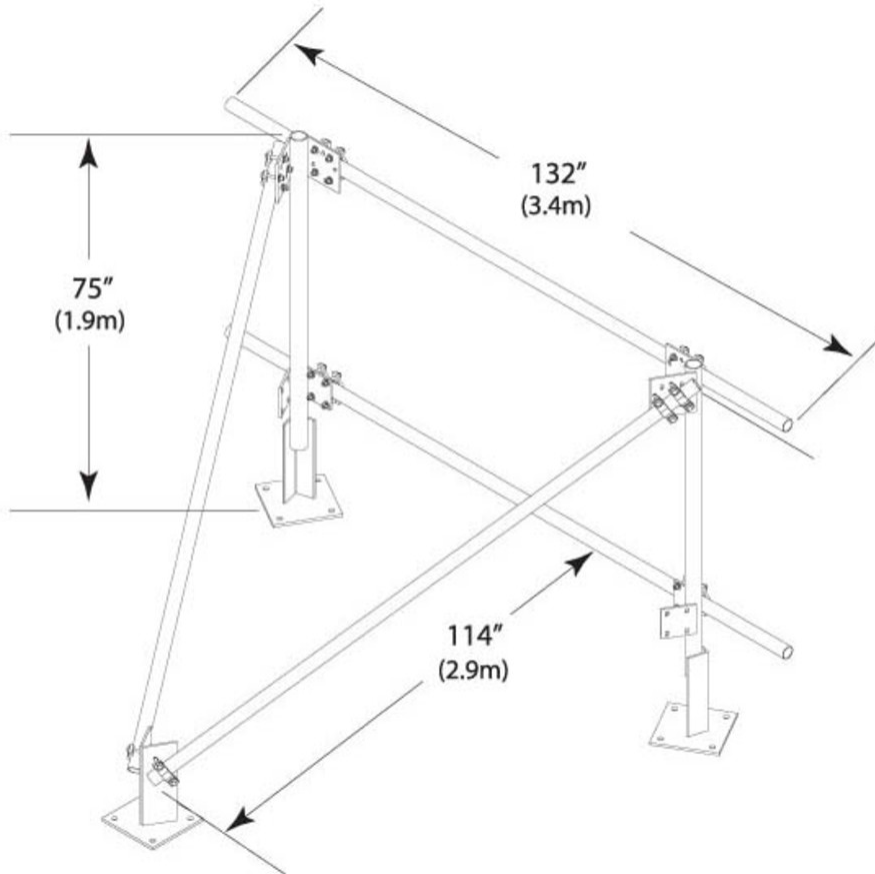
Width 3,352.8 mm | 132 in

Length 2.896 m | 9.5 ft

Pipe Outer Diameter 60.96 mm | 2.4 in | 73.66 mm | 2.9 in

TP-100

Outline Drawing



Material Specifications

Material Type Hot dip galvanized steel

Mechanical Specifications

Wind Rating For Specifications, please contact your local ANDREW representative

Packaging and Weights

Included Mount

Packaging quantity 1

Weight, net 173.7 kg | 382.942 lb

Regulatory Compliance/Certifications

TP-100

Agency

ISO 9001:2015

Classification

Designed, manufactured and/or distributed under this quality management system

*** Footnotes****Wind Rating**

BWS—Base Wind Speed; FBC—Florida Building Code