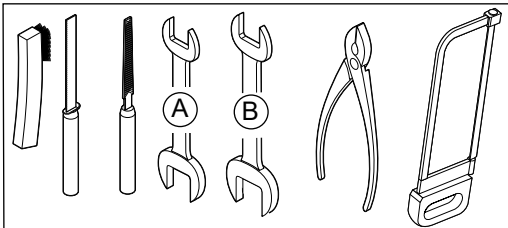
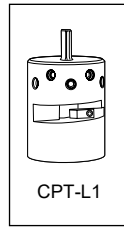
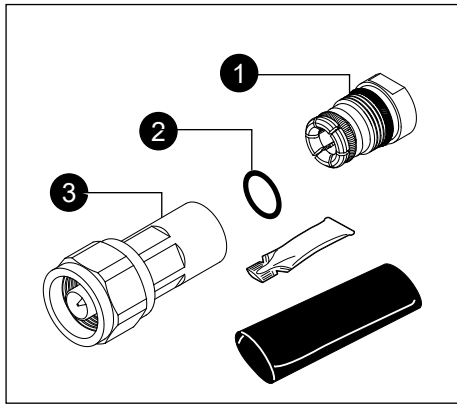
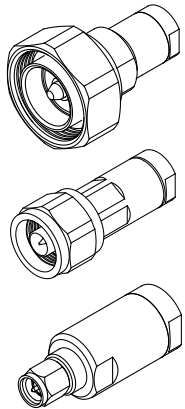


Positive Lock Connectors (L1*-PL)

for HELIAX® LDF1-50 Coaxial Cable



P/N	A	WRENCH WIDTH (MM) (MAX)	B
LITNM-PL	15 MM	6.75	14 MM
LITNF-PL	13 MM	11.30	14 MM
LITDM-PL	16 MM	20.00	14 MM
LITDF-PL	20 MM	28.00	14 MM
LITSM-PL	15 MM	9.60	14 MM
LITNR-PL	14 MM	7.90	14 MM
LITNM-PL-G	15 MM	10.8	14 MM

1

1.18"
30 mm

Straighten cable. Remove jacket.
将电缆拉直，剥下护皮

2

(3/4")
(19 mm)

1 2 3 4 5

Top of corrugation

Cut cable at top of corrugation, remove outer conductor, foam, and adhesive.
切除电缆波纹状外导管顶部，除去外导管、泡沫、和粘合剂。

3

Add O-ring, grease, clamp.
加O型圈，油脂，锁紧螺母。

2

1

1 2 3 4 5

It is not allowed to pull back, the cable must be pulled out, checked O-ring is in the designated cable groove and reinstall it.
不允许向后拉，必须拉出电缆，检查O型圈是否在指定的电缆槽内，然后重新安装。

4

9/32"
6-7 mm

1/32"
1 mm

Taper inner conductor.
锥削内心导体

5

1

Straighten cable. Cut square.
将电缆拉直，垂直锯入

2

Apply pressure until tool clicks.
施加压力直到工具发出啞声

3

Top of corrugation

1 2 3 4 5

Check the cut plane to ensure at the top of corrugation. If it's not at the top of corrugation, then needs to manually cut 1-2mm of inner conductor and use the tool re-trim cable as above shown.
检查切面确保在电缆波纹状外导管顶部，如果不在顶部，需手工切除内导体1-2mm，用电动工具重新剥线至上图所示。

4

9/32"
6-7 mm

2

1

1 2 3 4 5

Add O-ring, grease, clamp. Check the length of inner conductor as shown.
加O型圈，油脂，锁紧螺母。检查内导体的尺寸如图所示。

5

5

Deburr, include inside edge, outer conductor.
去毛刺，包含内缘和外导体。

6

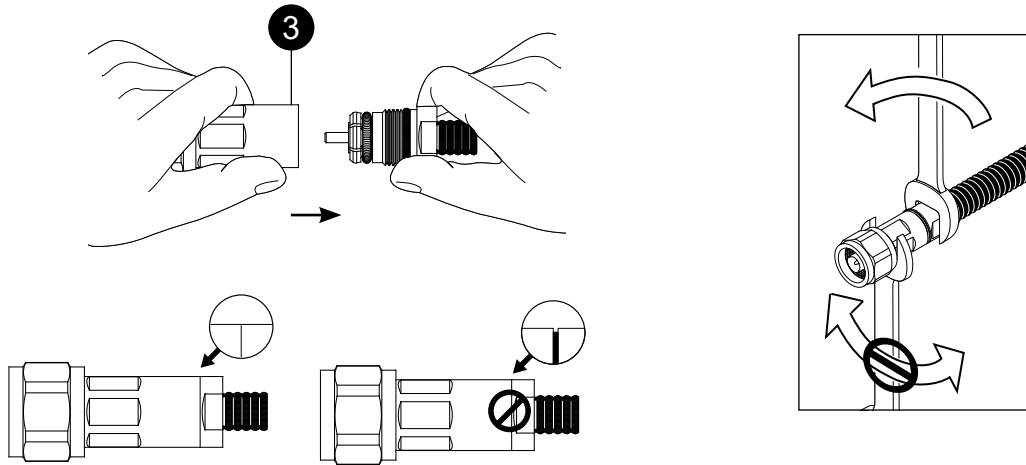
Remove debris.
去除残渣

7

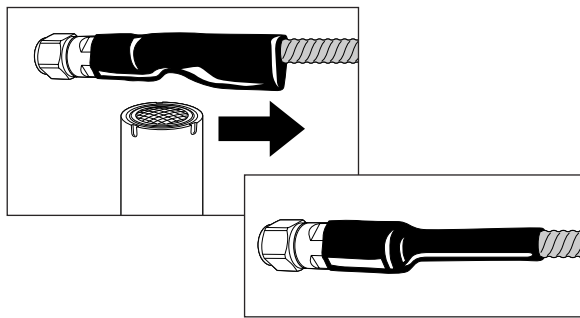
1/16"
1.5 mm

Compress foam.
压紧泡沫塑料。

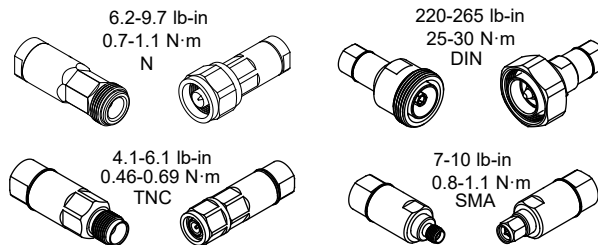
8



9 Apply heat shrink tube.
加热缩紧套管。



Coupling Torque.
配合扭矩。



Interface	Wrench Opening	Torque	Commscope Wrench P/N
7/16 DIN	32 mm (1 1/4")	25 Nm (19 ft-lb)	244377
N	18 mm	2 Nm (20 in-lb)	TW-18N
	13/16 in		244379

	表一 有毒有害物质或元素名称及含量标识格式					
	有毒有害物质或元素					
部件名称 (Part Name)	铅 (Pb)	汞 (Hg)	镉 (Cd)	六价铬 (Cr6+)	多溴联苯 (PBB)	多溴二苯醚 (PBDE)
连接器 (Connector)	X	O	O	O	O	O
<p>O: 表示有毒有害物质在该部件所有的均质材料中的含量均在SJ/T 11363-2006规定的限量要求以下。 X: 表示该有毒有害物质至少在该部件的某一均质材料中的含量超出SJ/T 11363-2006规定的限量要求。</p>						

ANDREW an Amphenol company
 2601 Telecom Parkway, Richardson, Texas, 75082, USA
 www.andrew.com

Technical Support
 +1 888 297 6433, Option 3 (Toll Free US and Canada)
 awpnarsupport@andrew.com

Notice: ANDREW disclaims any liability or responsibility for the results of improper or unsafe installation, inspection, maintenance, or removal practices.
 Aviso: ANDREW no acepta ninguna obligación ni responsabilidad como resultado de prácticas incorrectas o peligrosas de instalación, inspección, mantenimiento o retiro.
 Avis: ANDREW décline toute responsabilité pour les conséquences de procédures d'installation, d'inspection, d'entretien ou de retrait incorrectes ou dangereuses.
 Hinweis: ANDREW lehnt jede Haftung oder Verantwortung für Schäden ab, die aufgrund unsachgemäßer Installation, Überprüfung, Wartung oder Demontage auftreten.
 Atenção: A ANDREW abdica do direito de toda responsabilidade pelos resultados de práticas inadequadas e sem segurança de instalação, inspeção, manutenção ou remoção.
 Avvertenza: ANDREW declina eventuali responsabilità derivanti dall'esecuzione di procedure di installazione, ispezione, manutenzione e smontaggio improprie o poco sicure.
 注意: ANDREW 公司申明對於不恰當或不安全的安裝、檢驗、維修或拆卸操作所導致的後果不負責任 何義務和責任

©2025 ANDREW, an Amphenol company. All rights reserved. Amphenol and ANDREW are registered trademarks of Amphenol and/or its affiliates in the U.S. and other countries. All product names, trademarks and registered trademarks are property of their respective owners.

