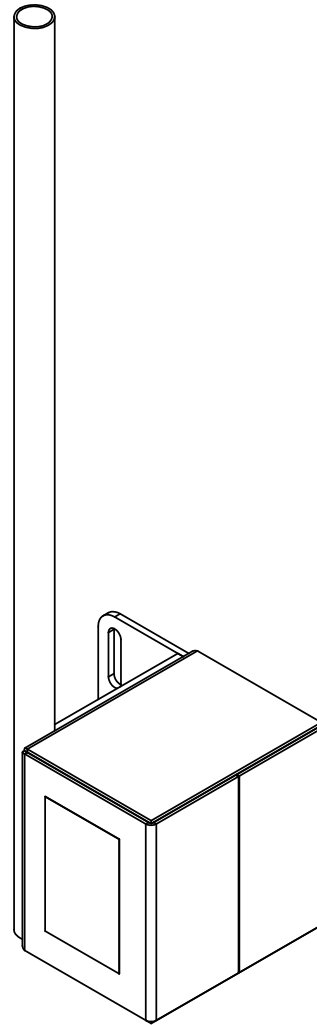


NOTES:

REVISIONS				
REV.	ECN	DESCRIPTION	BY	DATE
A	8000015659	INITIAL RELEASE	DRR	08/16/16



ITEM	PART NO.	DESCRIPTION	QTY.	WEIGHT	NOTE NO.
1	MTC3899GPSHK	HARDWARE KIT FOR MTC3899GPS	1	6.28 LBS	
2	MTC3899GPS01	WELDMENT, WALL MOUNT	1	8.52 LBS	

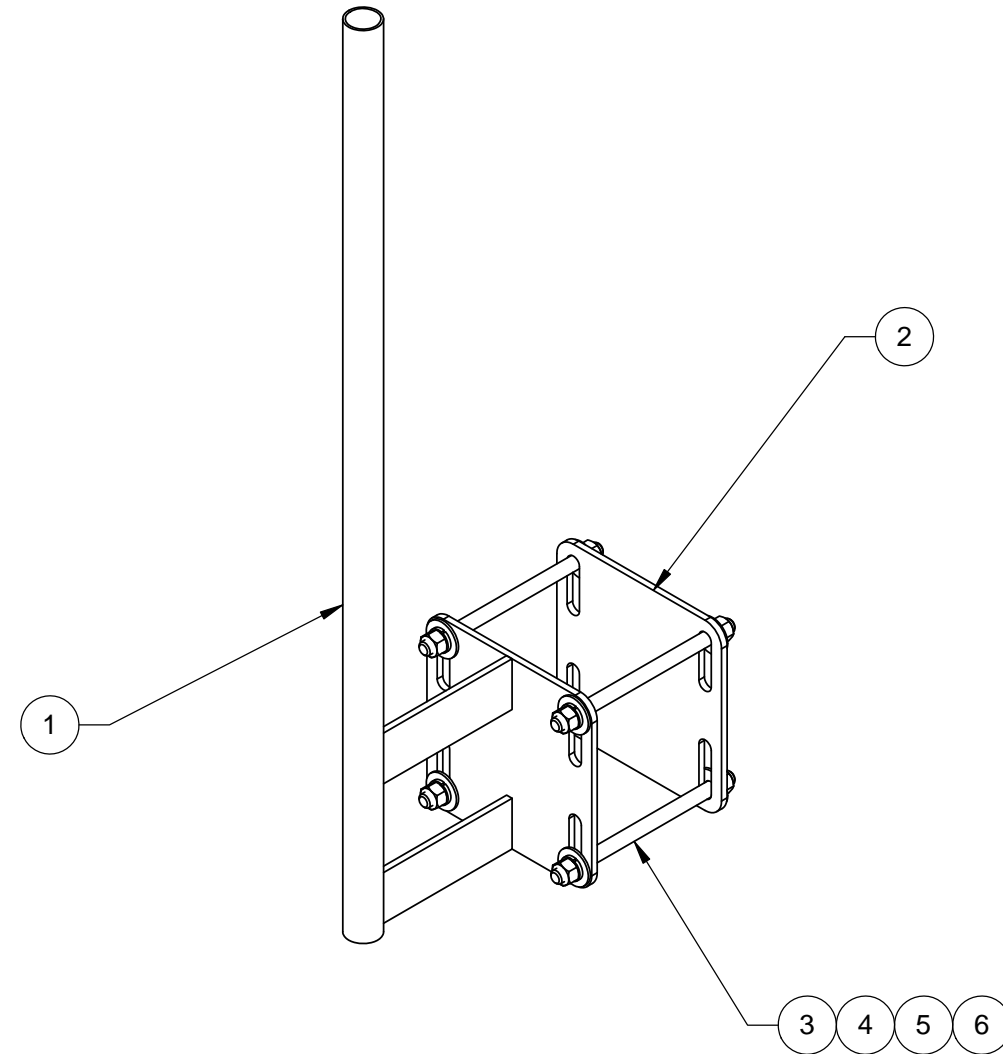
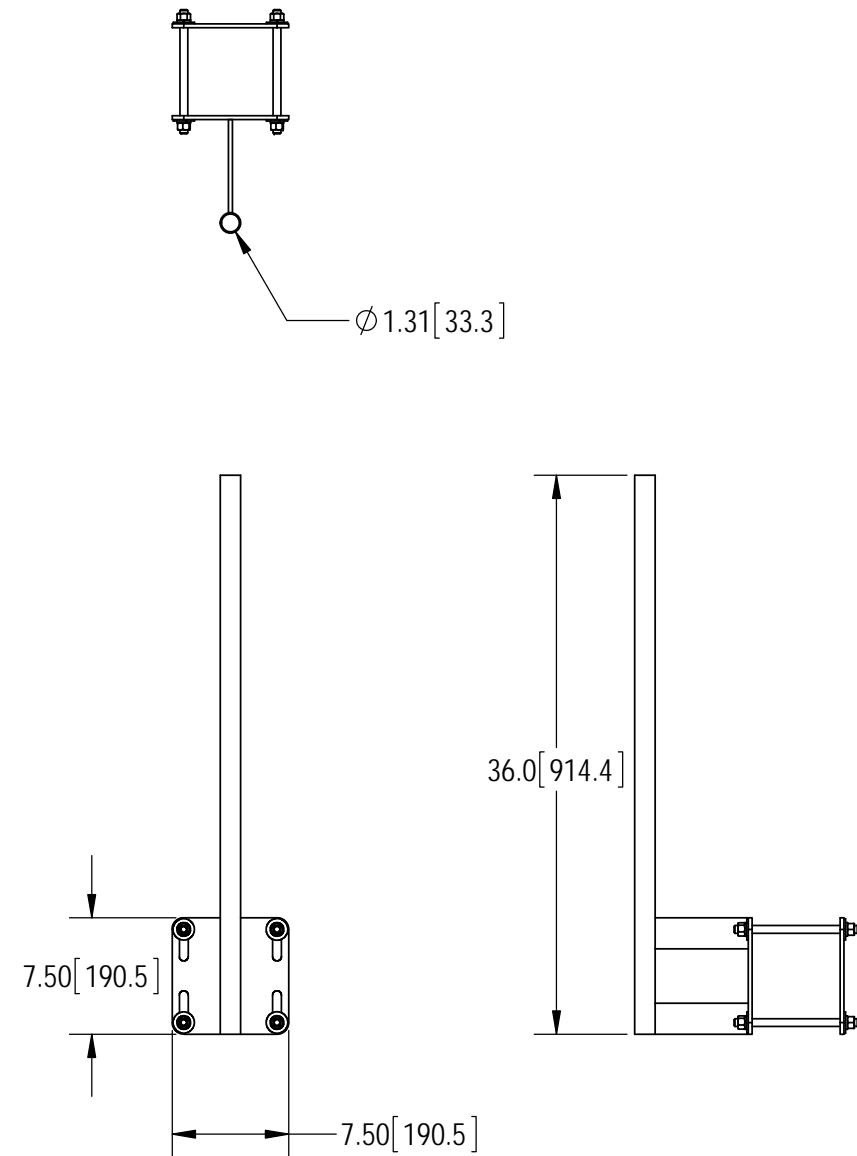
COMMSCOPE, INC. OF NORTH CAROLINA

TOLERANCES		SAP MATERIAL MASTER	
0 PLACE X ± .25	2 PLACE .XX ± .06	MTC3899GPS	
1 PLACE X ± .12	ANGLES ± 2°		
FINISH		MATERIAL	
GALV A123		A36	
UNLESS OTHERWISE SPECIFIED, DIMENSIONS ARE IN MILLIMETERS INTERPRET PER ISO STANDARDS HANDBOOK, TECHNICAL DRAWINGS, VOLUMES 1 & 2, THIRD EDITION (2002)		TITLE	
CE	NAME	DATE	GPS WALL MOUNT
RW	DRR	08/16/16	
RV			
AD			
RE	TP	08/16/16	SCALE
ECN	8000015659		DOCUMENT NO.
			1:4
			MTC3899GPS
SIZE	WORK AREA	MODEL	DRAWING
C	⊕	VERSION	STATUS
	⊖	REVISION	REVISION
		REVISION	REVISION
			A
			SHEET
			1 OF 2

DENSITY	0.17	lbs/in ³
MASS	14.80	lbs
VOLUME	87.92	in ³
SURFACE AREA		in ²
HEIGHT		
LENGTH		
WIDTH		

NOTES:

1.0 ALL METRIC DIMENSIONS ARE IN BRACKETS.



ITEM	PART NO.	DESCRIPTION	QTY.	WEIGHT	NOTE NO.
1	MTC3899GPS01	WELDMENT, WALL MOUNT	1	8.52 LBS	
2	MTC3899GPS02	PLATE, BACKING	1	3.58 LBS	
3	MT-379-8	1/2" X 8" GALV THREADED ROD	4	0.44 LBS	
4	GWL-04	1/2" GALV LOCK WASHER	8	0.01 LBS	
5	GN-04	1/2" GALV HEX NUT	8	0.04 LBS	
6	GWF-04	1/2" GALV FLAT WASHER	8	0.03 LBS	

COMMSCOPE, INC. OF NORTH CAROLINA			
TITLE			
GPS WALL MOUNT			
SIZE	SCALE	DOCUMENT NO.	
C	1:8	MTC3899GPS	
DRAWING			SHEET
VERSION	STATUS	REVISION	2 OF 2
		A	

© 2015 CommScope, Inc. Confidential