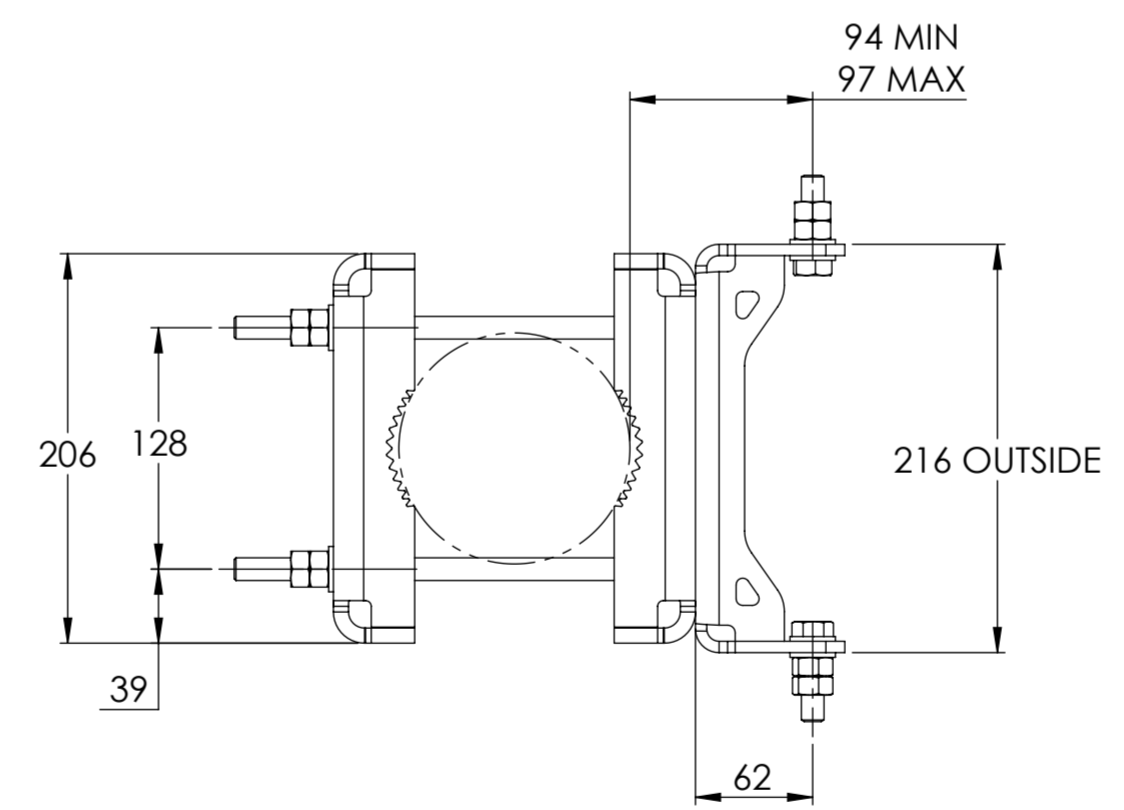
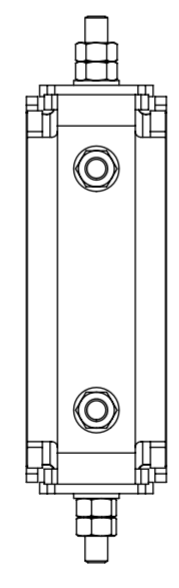
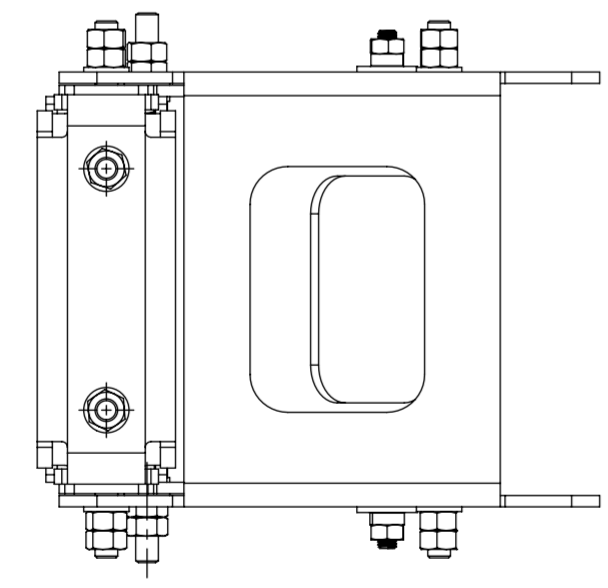
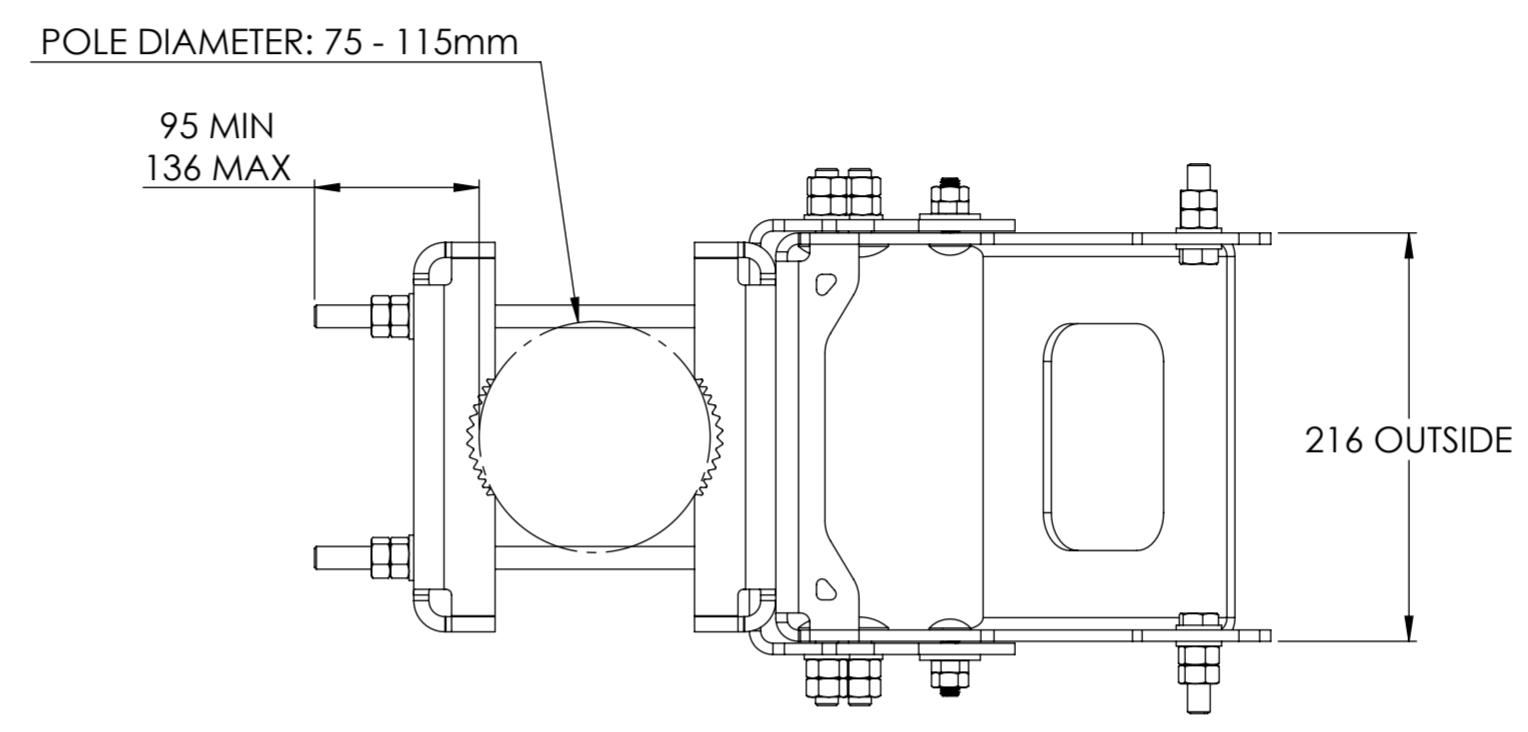
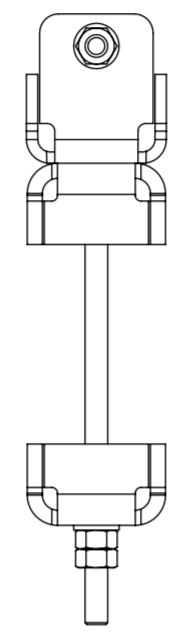
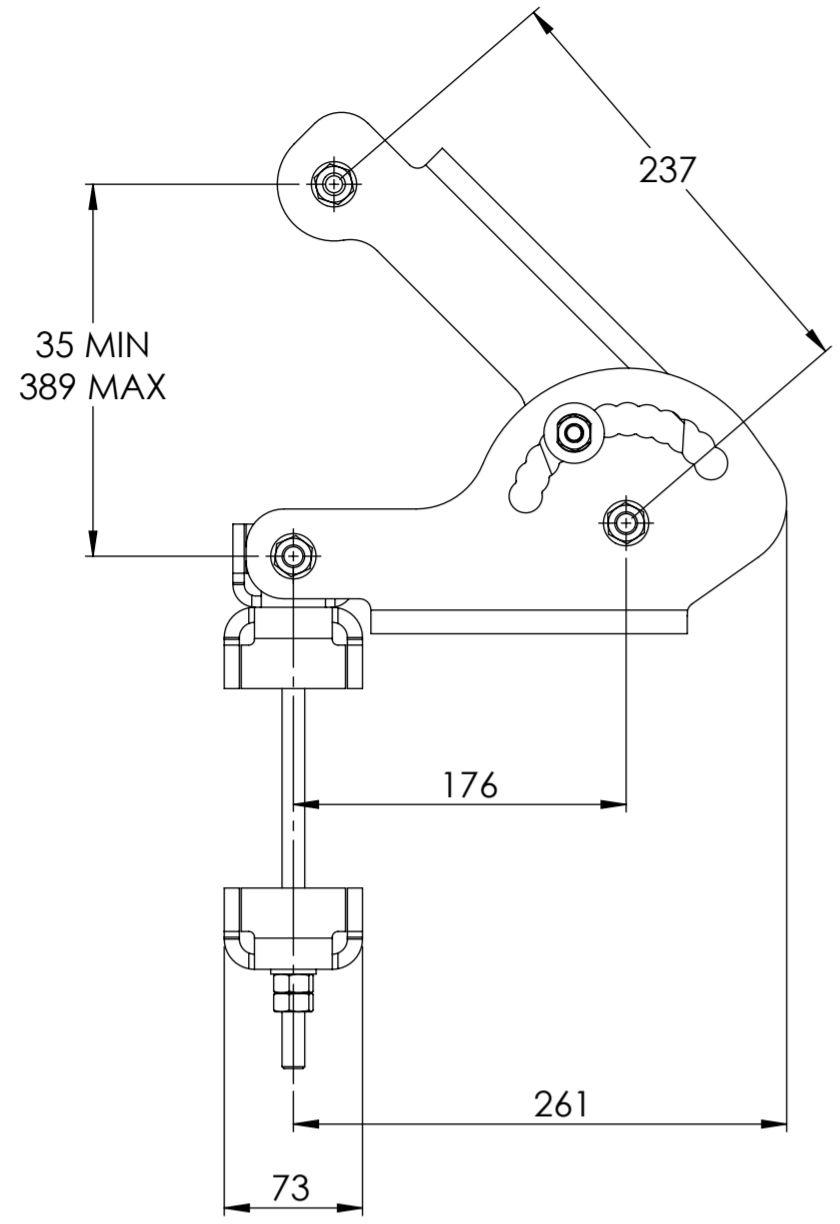


REVISIONS			
REV.	DESCRIPTION	DATE	APPROVED
A	ECR 11902PC: RELEASE TO PRODUCTION PER EAO609691.	5AUG21 ZHW	R.SU/XJ
B	ECR 15164PC: UPDATE DRAWING.	14SEP21 ZHW	R.SU/XJ



BSAMNT-8

COMMScope, INC. OF NORTH CAROLINA

TOLERANCES		SAP MATERIAL MASTER	
0 PLACE X ±	2 PLACE .XX ±		
1 PLACE .X ±	ANGLES ±		
FINISH N/A		MATERIAL N/A	
<small>UNLESS OTHERWISE SPECIFIED DIMENSIONS ARE IN MILLIMETERS INTERPRET PER ISO STANDARDS HANDBOOK TECHNICAL DRAWINGS VOLUMES 1 & 2, THIRD EDITION (2002)</small>		NAME	DATE
		CE ZHW	8-5-2021
		RW HZ1014	09/16/2021
		AD RSU	09/17/2021
		RE XIAOWANG	09/17/2021
ECN 15164PC		TITLE PRODUCT DRAWING	
SCALE 1:4		DOCUMENT NO. BSAMNT-8-L	
SIZE A2	Auth Group BSA	MODEL VERSION 01	DRAWING REVISION RE B
HEIGHT		VERSION 01	STATUS RE
LENGTH		REVISION B	REVISION B
WIDTH			

SHEET
1 OF 1