



TENIO

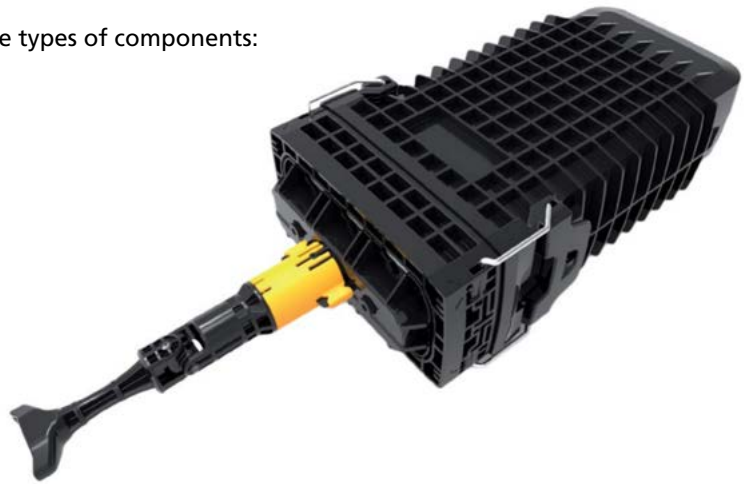
Product Ordering Guide for the United Kingdom

COMMSCOPE®

TENIO Ordering Guide UK FTTH applications

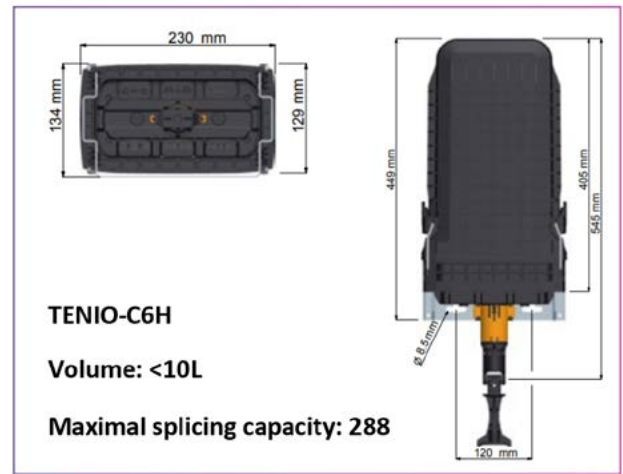
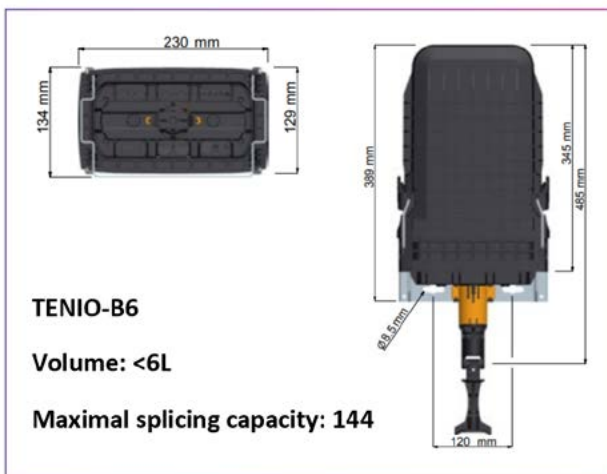
Building a TENIO closure kit requires choosing these five types of components:

1. Base closure
2. Cable seals
3. Cable attachments
4. Mounting bracket
5. Splitters



1. Base closures

There are two sizes. B6 and C6.



2. Sealings

There are six cavities, each one for one sealing type. Each sealing has more than one cable going through (outlets).

	CABLE OUTS	DIAMETER RANGE	MAXIMUM NUMBER OF IN/OUT-LET PORTS
	2a 2b 2c	13-16 11-14 9-12	12
	3a 3b	7-10 5-8	18
	3 flat	3/5 - 6/9	18
	4	3-6	24
	5	2-4	30
	Dummy		

Number of outlets	Diameter range	Ordering Number
5	2 mm - 4 mm	TENIO-SKG5-2/4
4	3 mm - 6 mm	TENIO-SKG4-3/6
3	5 mm - 8 mm	TENIO-SKG3-5/8
3	7 mm - 10 mm	TENIO-SKG3-7/10
2	9 mm - 12 mm	TENIO-SKG2-9/12
2	11 mm - 14 mm	TENIO-SKG2-11/14
2	13 mm - 16 mm	TENIO-SKG2-13/16
3	Flat cable 3/5 mm x 6/9 mm	TENIO-SKG3-3/5X6/9
N/A	Dummy cable seal	TENIO-SKG-DUMMY

TENIO Ordering Guide UK FTTH applications

3. Cable attachments

There are two types: CTU-S and CTU-L. Use one CTU per installed cable.

CTU-S

use with cable seals:
TENIO-SKG5-2/4,
TENIO-SKG4-3/6



CTU-L

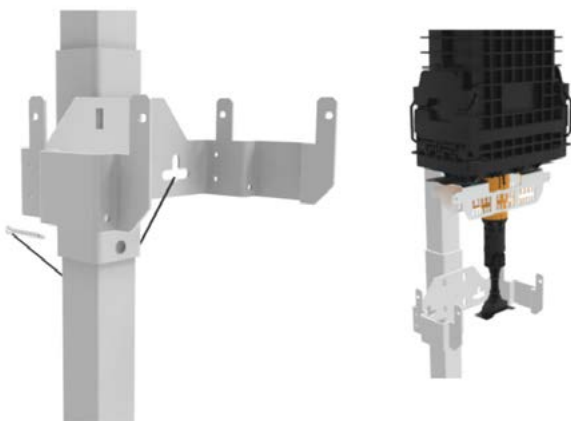
use with cable seals:
TENIO-SKG3-3-5/8,
TENIO-SKG3-7/10,
TENIO-SKG2-9/12,
TENIO-SKG2-11/14,
TENIO-SKG2-13/16,
TENIO-SKG3-3/5x6/9



4. Mounting brackets

TENIO-MOBRA-TUBE-45X45 is a mounting bracket compatible with PIA standard chamber MOBRA arms.

760250714 | TENIO-MOBRA-TUBE-45x45



CW6449-000 | TENIO-EXT/CF
(optional, to keep small cables straight)



TENIO Ordering Guide UK FTTH applications

5. Splitters

A dedicated storage area is used to house splitter holders in the TENIO closure.

Splitter holders are available in two sizes: small and large. Holders ship with one splitter each. Small and large holders can contain the following splitter configurations:



Small holders	1:2	2:2
	1:8	2:8
	1:16	–
Large holders	–	2:16
	1:32	2:32
	1:64	2:64

The following table shows the number of holders accommodated by TENIO closures:

Closure size	Maximum number of small holders	Maximum number of large holders
TENIO-B6	8	0
	5	1
	2	2
TENIO-C6H	15	0
	12	1
	8	2
	5	3
	2	4

Every splitter has to be ordered with a filed installable housing (see the tables below):
e.g. 2x SP-10400NNNNXABB + 1 x 760254196

Field installable splitter holder

MID	Description	Splitter type	Product compatibility	
760254196	SP holder 250um 2 position kit of 10 (Kit contains 10 pieces of splitter holder)	1x2 250um (4x4x40)	FIST-SOSA2-SE FIST-SOSA2-R TENIO OFDC	Dual splitter holder 
		1x4 250um (4x4x40)		
		1x8 250um (4x4x40)		
		2x2 250um (4x4x40)		
		2x4 250um (4x4x40)		
		2x8 250um (4x4x40)		
760253440	SP holder 2 position kit of 10 (Kit contains 10 pieces of splitter holder)	1x16 250um (4x5x45)	FIST-SOSA2-R12 TENIO OFDC	Dual splitter holder 
		1x32 250um (4x7x55)		
		2x16 250um (4x5x45)		
		2x32 250um (4x7x55)		
		1x2 900um (4x7x60)		
		1x4 900um (4x7x60)		
		1x8 900um (4x7x60)		
		2x2 900um (4x7x60)		
		2x4 900um (4x7x60)		
		2x8 900um (4x7x60)		

PLC splitter 250 µm

MID	Description
SP-10400NNNNXABB	PLC 1X4 250UM NO CONN
SP-10800NNNNXABB	PLC 1X8 250UM NO CONN
SP-11600NNNNXABB	PLC 1X16 250UM NO CONN
SP-13200NNNNXABB	PLC 1X32 250UM NO CONN
SP-16400NNNNXABB	PLC 1X64 250UM NO CONN

Applications for the TENIO kits

TENIO-B6 144f Distribution closure STARTer kit

Description	TENIO-B6-START
TENIO-B6-S12-12-V	1
TENIO-SKG4-3/6	
TENIO-SKG3-5/8	
TENIO-SKG3-7/10	1
TENIO-SKG3-3/5X6/9	
TENIO-SKG-DUMMY	6
CTU-S	
CTU-L	2
TENIO-MOBRA-TUBE-45x45	1

Suitable for all splice closure applications with a maximum capacity of 144 fibres. This basic kit contains a full set of blanking seals, one feeder cable seal kit, cable termination units to install a loop-through feeder. Full set of splice trays for up to 144f splices. Please select distribution seal kits, CTU's and splitters from our ordering guide. This kit contains a MOBRA bracket suitable for use with PIA chambers. Fibre trays and seal kits are pre-assembled into the closure in the factory to reduce engineering time in the field.

TENIO-B6 144f Distribution closure round cable kit

Description	TENIO-B6-144-ROUND
TENIO-B6-S12-12-V	1
TENIO-SKG4-3/6	1
TENIO-SKG3-5/8	1
TENIO-SKG3-7/10	1
TENIO-SKG3-3/5X6/9	
TENIO-SKG-DUMMY	3
CTU-S	3
CTU-L	6
TENIO-MOBRA-TUBE-45x45	1

Assembled TENIO designed for 144 fibre distribution closure kit for round cable with various diameters. The kit contains a range of seal kits from 3mm to 12mm diameters and cable termination units to complete installation of feeder cable (loop-through) and various distributions cables. It also has a MOBRA bracket suitable for use with PIA chambers. Fibre trays and seal kits are pre-assembled into the closure in the factory to reduce engineering time in the field. This kit provides enough accessories to complete most jobs of this size and nature. Please review the kit table above for exact contents.

TENIO-B6- Distribution closure FLAT cable kit

Description	TENIO-B6-FLAT
TENIO-B6-S12-12-V	1
TENIO-SKG4-3/6	
TENIO-SKG3-5/8	
TENIO-SKG3-7/10	1
TENIO-SKG3-3/5X6/9	4
TENIO-SKG-DUMMY	1
CTU-S	
CTU-L	10
TENIO-MOBRA-TUBE-45x45	1

This kit is designed to splice HST hardened terminals. Kitted with flat seal kits out, and a standard round kit for incoming feeder. Cable termination units are included as well as a MOBRA bracket suitable for use with PIA chambers. Fibre trays and seal kits are pre-assembled into the closure in the factory to reduce engineering time in the field.

Applications for the TENIO kits

TENIO-C6 288f Distribution closure STARTer kit

Description	TENIO-C6H-START
TENIO-C6H-SLE-12-V	1
TENIO-SKG4-3/6	
TENIO-SKG3-5/8	
TENIO-SKG3-7/10	1
TENIO-SKG2-9/12	
TENIO-SKG-DUMMY	6
CTU-S	
CTU-L	2
TENIO-MOBRA-TUBE-45x45	1

Suitable for all splice closure applications with maximum capacity of 288 fibres. This basic kit contains a full set of blanking seals, one feeder cable seal kit, cable termination units to install a loop-through feeder. Full set of splice trays for up to 288f splices. Please select distribution seal kits, CTU's and splitters from our ordering guide. This kit contains a MOBRA bracket suitable for use with PIA chambers. Fibre trays and seal kits are pre-assembled into the closure in the factory to reduce engineering time in the field.

TENIO-C6 288f Distribution closure ROUND cable kit

Description	TENIO-C6H-288-ROUND
TENIO-C6H-SLE-12-V	1
TENIO-SKG4-3/6	1
TENIO-SKG3-5/8	1
TENIO-SKG3-7/10	1
TENIO-SKG2-9/12	1
TENIO-SKG-DUMMY	2
CTU-S	3
CTU-L	8
TENIO-MOBRA-TUBE-45x45	1

288 fibre distribution closure kit for round cable with various diameters. The kit contains a range of seal kits from 3mm to 12mm diameters and cable termination units to complete installation of feeder cable (loop-through) and various distributions cables. It also has a MOBRA bracket suitable for use with PIA chambers. Fibre trays and seal kits are pre-assembled into the closure in the factory to reduce engineering time in the field. This kit provides enough accessories to complete most jobs of this size and nature. Please review the kit table above for exact contents.

Preconfigured TENIO kits for the UK FTTH applications

TENIO B6 KITS

Description	TENIO-B6-START	TENIO-B6-144-ROUND	TENIO-B6-FLAT	
TENIO-B6-S12-12-V	1	1	1	
TENIO-SKG4-3/6		1		
TENIO-SKG3-5/8		1		
TENIO-SKG3-7/10	1	1	1	
TENIO-SKG3-3/5X6/9			4	
TENIO-SKG-DUMMY	6	3	1	
CTU-S		3		
CTU-L	2	6	10	
TENIO-MOBRA-TUBE-45x45	1	1	1	

Preconfigured TENIO kits for the UK FTTH applications

TENIO C6 KITS

Description	TENIO-C6H-START	TENIO-C6H-288-ROUND	
TENIO-C6H-SLE-12-V	1	1	
TENIO-SKG4-3/6		1	
TENIO-SKG3-5/8		1	
TENIO-SKG3-7/10	1	1	
TENIO-SKG2-9/12		1	
TENIO-SKG-DUMMY	6	2	
CTU-S		3	
CTU-L	2	8	
TENIO-MOBRA-TUBE-45x45	1	1	

CommScope pushes the boundaries of communications technology with game-changing ideas and ground-breaking discoveries that spark profound human achievement.

We collaborate with our customers and partners to design, create and build the world's most advanced networks. It is our passion and commitment to identify the next opportunity and realize a better tomorrow. Discover more at commscope.com.

COMMSCOPE[®]

commscope.com

Visit our website or contact your local CommScope representative for more information.

© 2023 CommScope, Inc. All rights reserved.

All trademarks identified by [™] or [®] are trademarks or registered trademarks in the US and may be registered in other countries. All product names, trademarks and registered trademarks are property of their respective owners. This document is for planning purposes only and is not intended to modify or supplement any specifications or warranties relating to CommScope products or services.

CO-117969-EN.GB (07/23)