

PM-SL4-96



Universal Taper Pipe Mount Slider Bracket, 4-1/2 in OD x 96 in pipe

Product Classification

Product Type Pipe mount

General Specifications

Mounting Saddle mounts

Note One 96 in x 8 in panel antenna per pipe mount

Pipe, quantity 1

Tower Taper Tapered

Dimensions

Height 2,438.4 mm | 96 in

Width 152.4 mm | 6 in

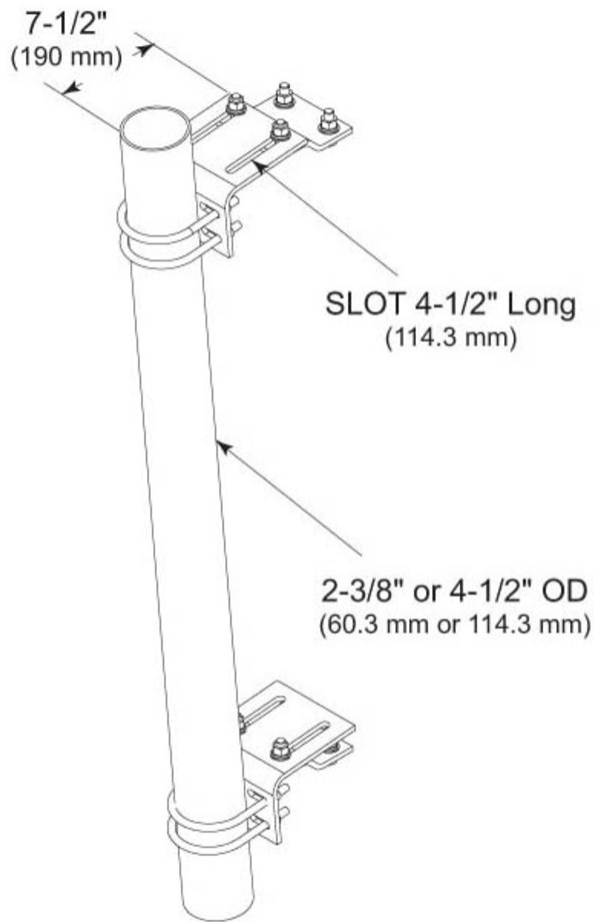
Length 304.8 mm | 12 in

Pipe Length 2,438.4 mm | 96 in

Pipe Outer Diameter 114.3 mm | 4.5 in

PM-SL4-96

Outline Drawing



Material Specifications

Material Type Hot dip galvanized steel

Mechanical Specifications

Wind Rating 120 mph (BWS) at 150 ft AGL

Wind Rating Test Method TIA/EIA-222

Packaging and Weights

Included Hardware | Pipe | Sliding pipe mount brackets

Packaging quantity 1

PM-SL4-96

Weight, net 54.1 kg | 119.27 lb

Regulatory Compliance/Certifications

Agency	Classification
ISO 9001:2015	Designed, manufactured and/or distributed under this quality management system

Included Products

- MT-654-96 – Plain End Pipe, 4-1/2 in OD x 96 in x .188" A500C 46Ksi
- PM-SL4 – Universal Taper Pipe Mount Slider Bracket for 4-1/2 in OD pipe

* Footnotes

Wind Rating BWS—Base Wind Speed; FBC—Florida Building Code