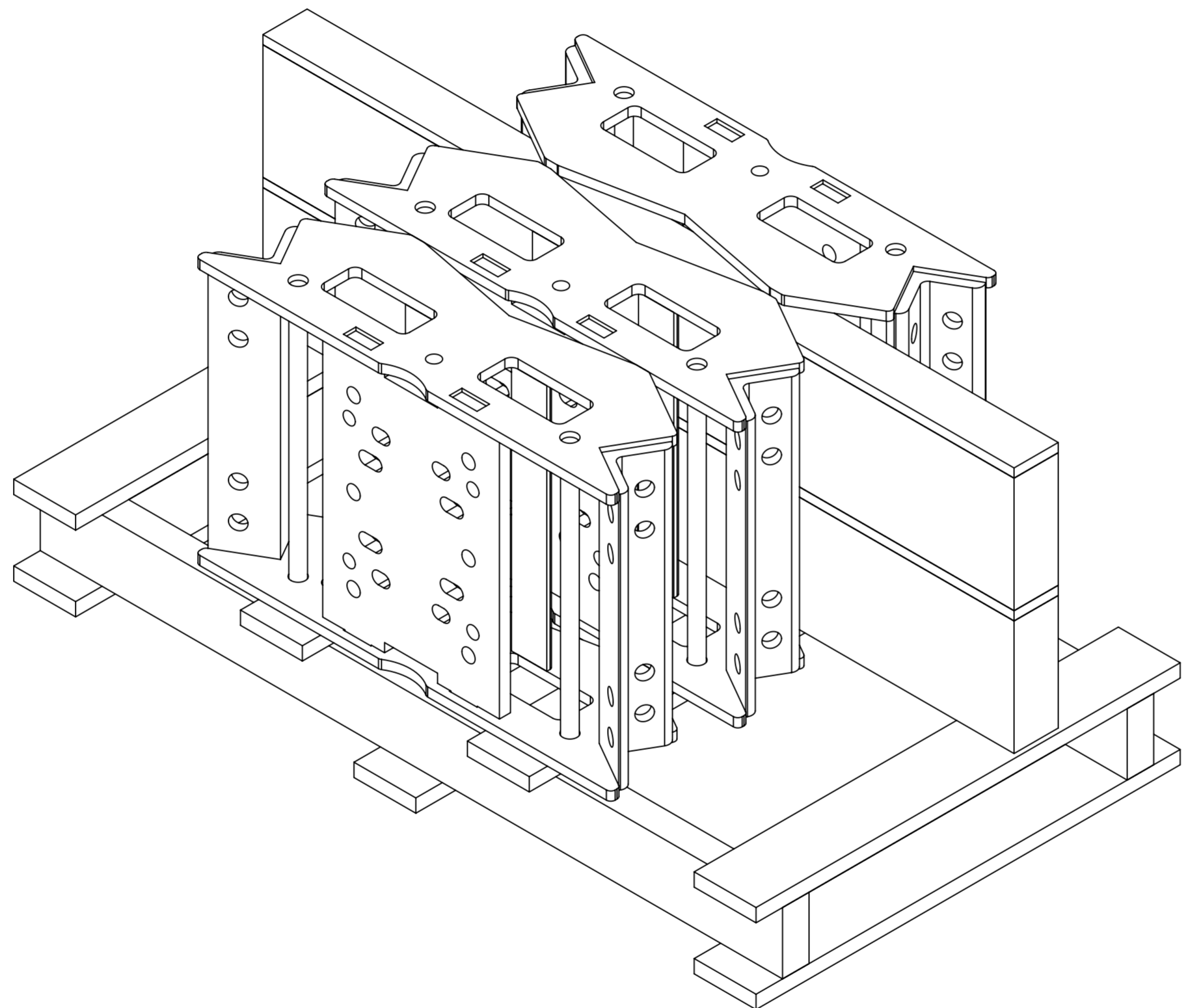


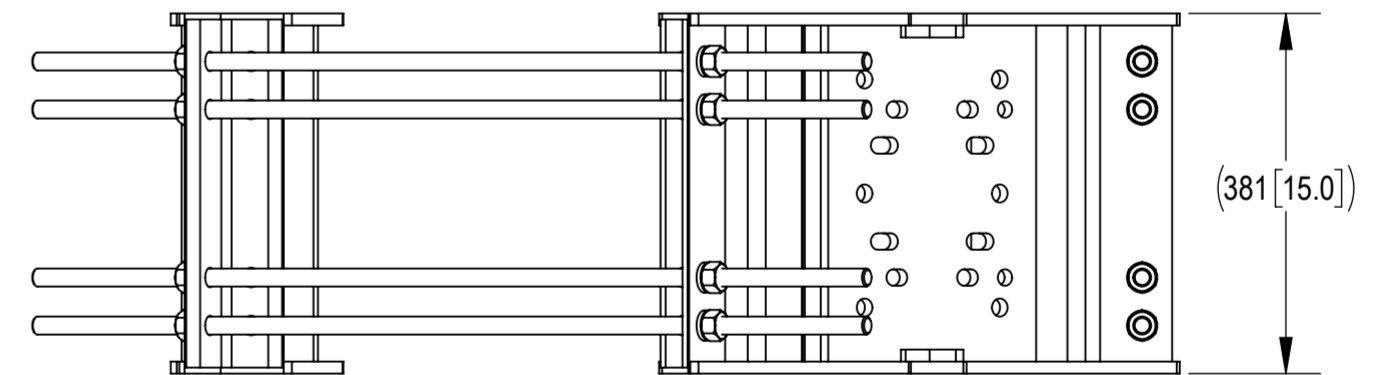
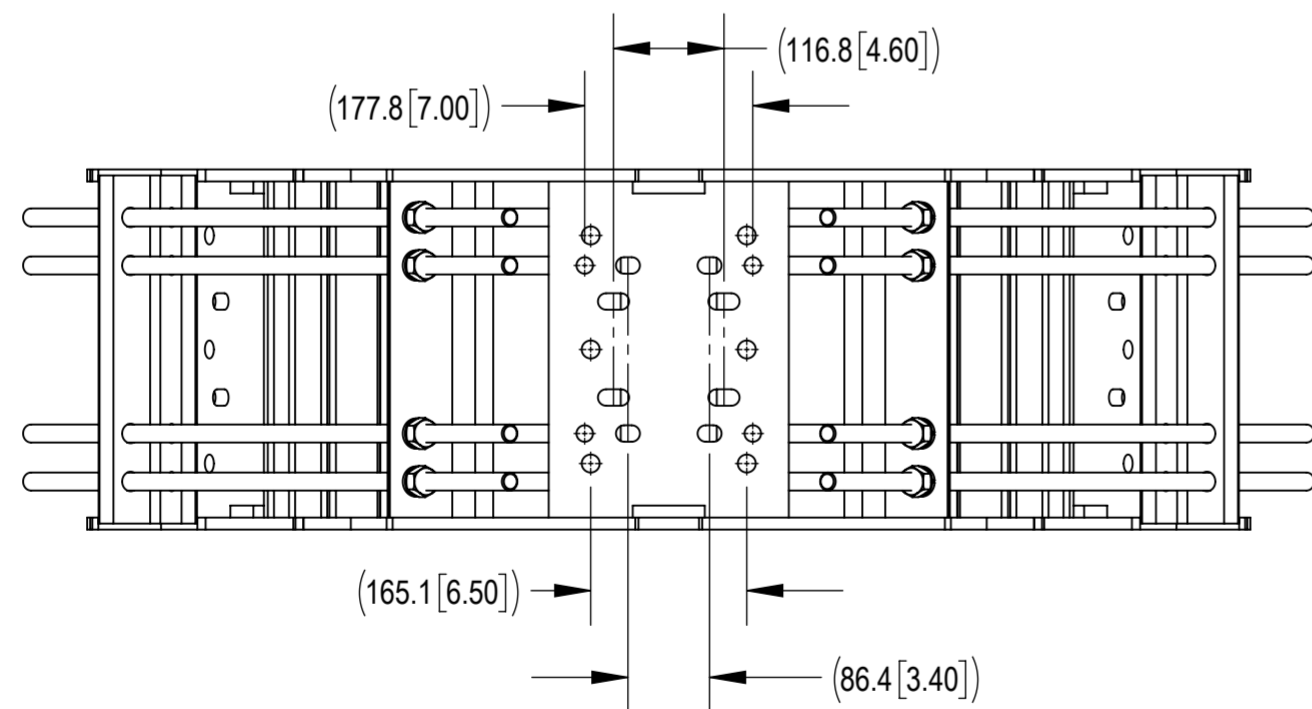
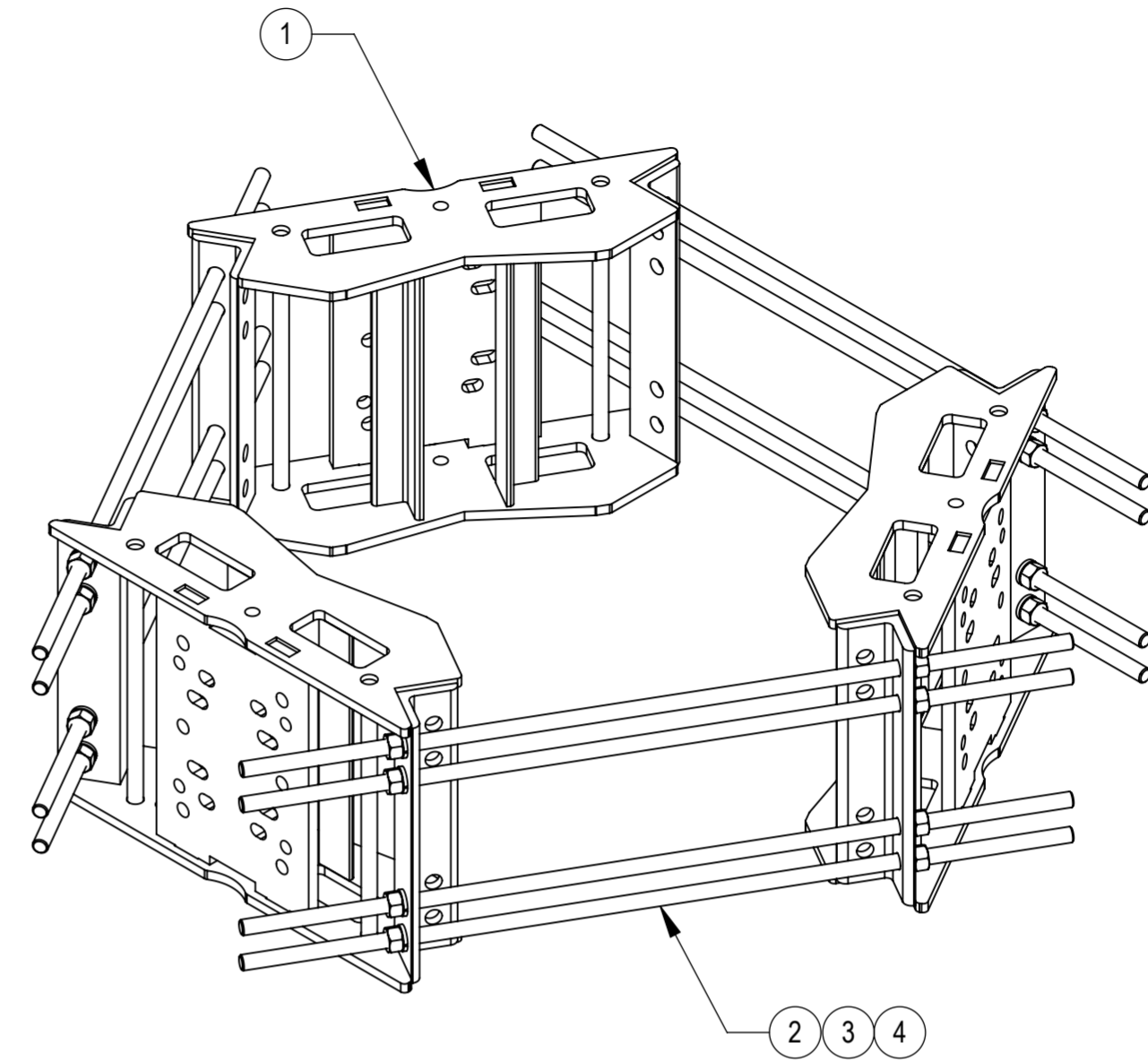
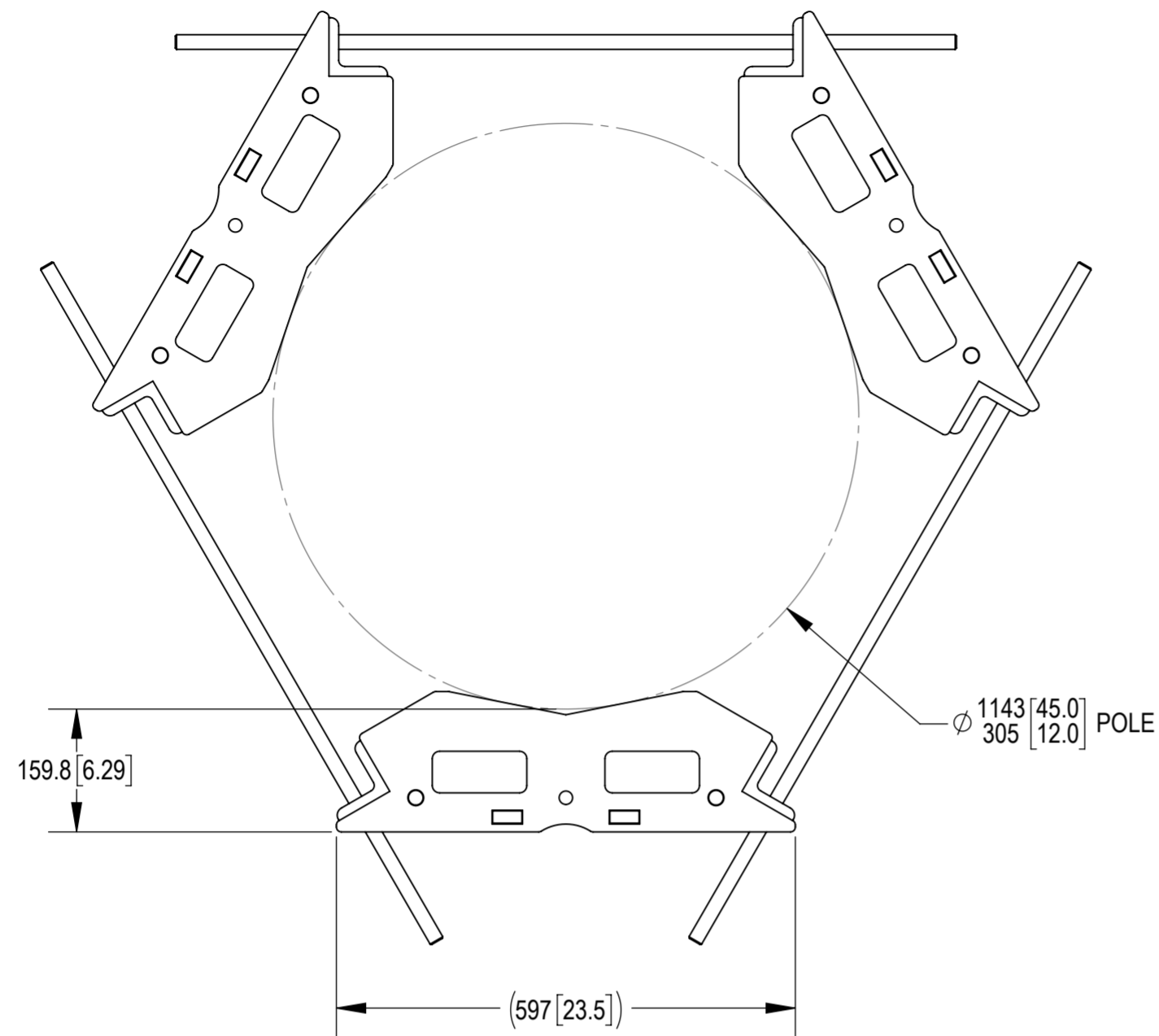
- 1.0 GENERAL NOTES
 1.1 ALL IMPERIAL DIMENSIONS ARE IN BRACKETS [X.XX]
 1.2 FOR PATENT INFO: <https://www.cs-pat.com>
 2.0 DESIGN NOTES
 3.0 MANUFACTURING/SPECIAL REQUIREMENTS
 3.1 TIGHTEN ALL BOLTS SECURING FLAT PLATES BY THE TURN-OF-NUT METHOD. TIGHTEN ALL U-BOLTS USING TURN-OF-NUT METHOD WITH ATTENTION TO LEAVE EQUAL DISTANCE AND EQUAL FORCE ON EACH LEG OF THE U-BOLT.
 4.0 TEST
 5.0 PACKAGING
 5.1 PACKAGING SHALL MEET COMMScope REQUIREMENTS PER DOCUMENT IS-PL-3005.
 5.2 PRINTED DOCUMENT TO BE PLACED INSIDE POLYBAG AND THEN IN SHIPPING CONTAINER.
 5.3 EXTRA HARDWARE MAYBE SUPPLIED, BAGGED AND SHIPPED.

REVISIONS			
REV.	DESCRIPTION	DATE	APPROVED
A	INITIAL RELEASE	RJC 20SEP2019	MC1107 8000037346
B	REPLACED CRATE WITH A PALLET & HDW KITS; ADDED PACKING NOTE; ADDED A NEW SHEET 1	RJC 7DEC2020	MC1107 8000044255
C	RMM3H WAS RML3H	YX1027 28JUN2022	BCROSS 40151447CMO
D	WEIGHT UNIT ADDED LB	YMENG 12JAN23	BCROSS 40163957CMO



COMMScope, INC. OF NORTH CAROLINA																	
TOLERANCES						SAP MATERIAL MASTER											
0 PLACE X.[X] ± 6[0.25]		2 PLACE .XX[.XXX] ± 1.50[0.06]				MC-RMHD-1245-3											
1 PLACE .X[.XX] ± 3.0[0.12]		ANGLES ± 2°															
FINISH						MATERIAL											
3 SECTOR RING MOUNT, 12" - 45" POLE																	
SCALE: 1:4 DOCUMENT NO. MC-RMHD-1245-3																	
ECN 40163957CMO																	
SIZE			Auth Group			INSL			MODEL			DRAWING			SHEET		
A2						VERSION			STATUS			REVISION			1 OF 2		
						01			RE			B				04	

DENSITY	lbs/in ³
MASS	329.19 lbs
VOLUME	1168.19 in ³
SURFACE AREA	5824.80 in ²
DENSITY	g/mm ³
MASS	149316.957 grams
VOLUME	19143199.609 mm ³
SURFACE AREA	3757928.223 mm ²
HEIGHT	508[20.0]
LENGTH	1079.5[42.50]
WIDTH	609.6[24.00]



COMPONENT PART NUMBERS PROVIDED FOR ASSEMBLY PURPOSES;
INDIVIDUAL COMPONENTS MAY BE SHIPPED AS PARTS WITHIN AN INCLUDED KIT.

ITEM	PART NO.	DESCRIPTION	QTY.	NOTE NO.
1	RMHD-1245-301	WELDMENT, 12"-45" HEAVY DUTY RING MOUNT	3	
2	MT38440	3/4" X 40" GALV THREADED ROD GRADE B7	12	
3	GWL-06	3/4" GALV LOCK WASHER	24	
4	GN-06	3/4" GALV HEX NUT	24	

COMMSCOPE, INC. OF NORTH CAROLINA				
TITLE 3 SECTOR RING MOUNT, 12"- 45" POLE				
SIZE A2	SCALE 1:8	DOCUMENT NO. MC-RMHD-1245-3		
		DRAWING		SHEET
		VERSION	STATUS	REVISION
		04	RE	D
				SHEET 2 OF 2