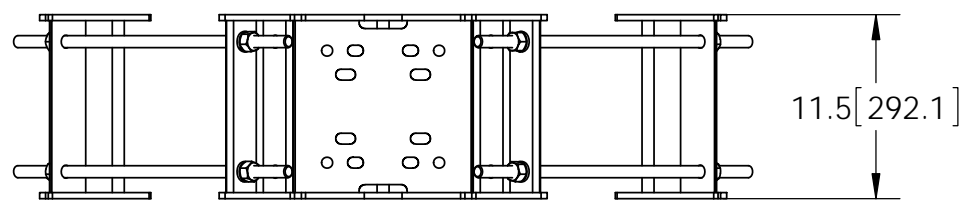
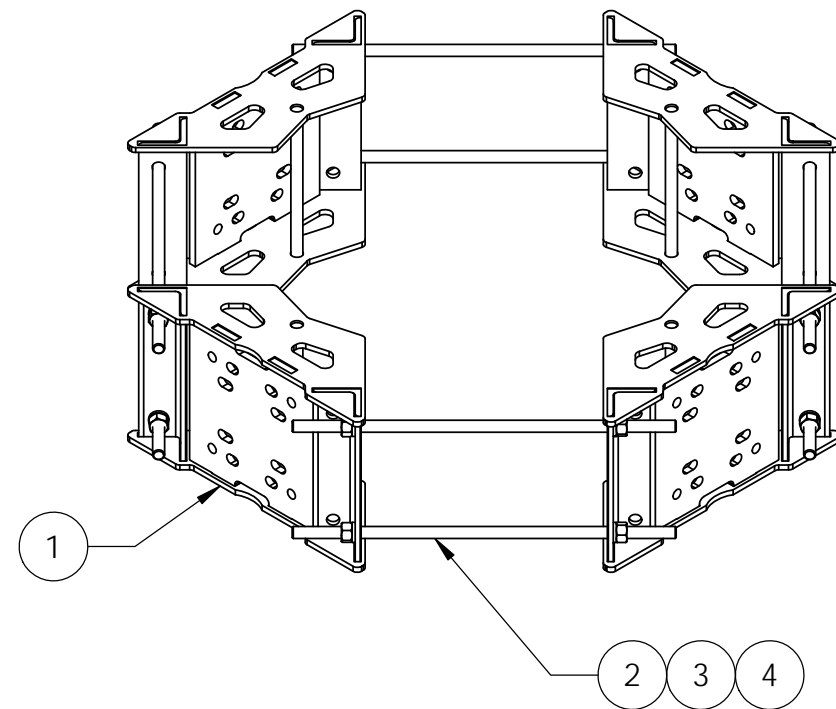
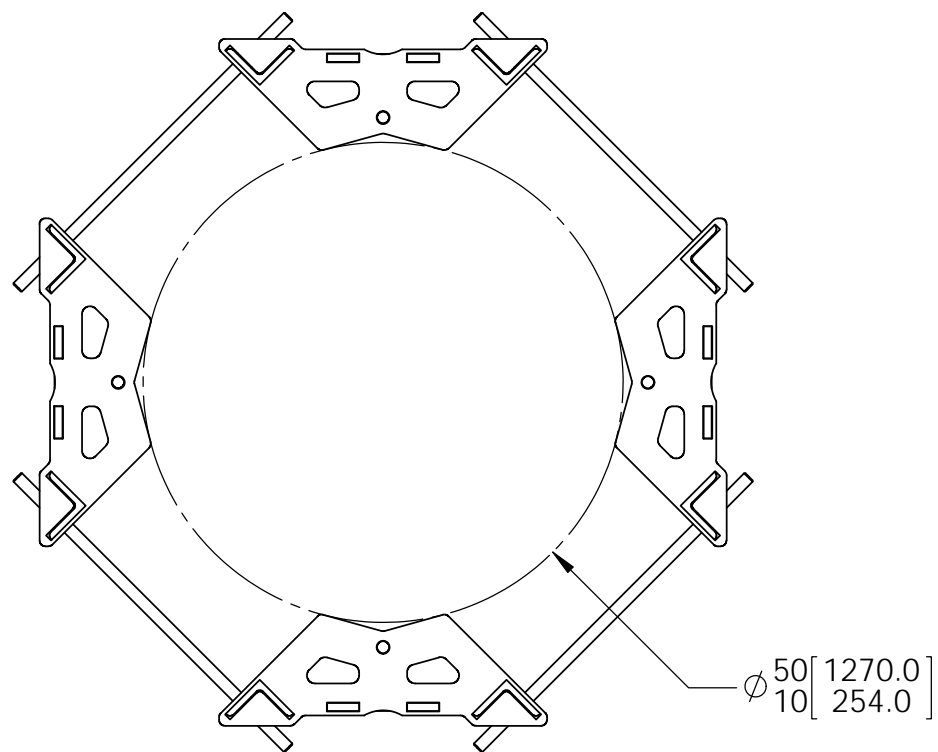


ITEM	PART NO.	DESCRIPTION	QTY.	WEIGHT
1	RM1030405	10-30 4 SECTOR RM WLDMNT	4	45.99 LBS
2	MT38424	3/4" X 24" GALV THREADED ROD	8	2.99 LBS
3	GWL-06	3/4" GALV LOCK WASHER	16	0.04 LBS
4	GN-06	3/4" GALV HEX NUT	16	0.15 LBS
5	MT38440	3/4" X 40" ALLTHREAD GALV	8	4.98 LBS



NOT SHOWN

REVISIONS				
REV.	ECN	DESCRIPTION	BY	DATE
A		INITIAL RELEASE	MSM	07/11/13
B	8000018961	UPDATED RINGMOUNT WELDMENT TO RM1030405	DRR	1/10/17



NOTES:

1. ALL METRIC DIMENSIONS ARE IN BRACKETS.
2. FITS POLE OD'S 10" - 50".
3. USE MT38440 FOR POLE OD 30" - 50".
4. CUT THREADED RODS AS NEEDED AFTER ASSEMBLY.

<small>These drawings and specifications are the proprietary property of CommScope Inc. and may be used only for the specific purpose authorized in writing by CommScope Inc.</small>		DRAWN BY: MSM CHECKED BY: TP DATE: 07/11/13 REVISION: B	SHEET: 1 of 1 SCALE: NTS MATERIAL: A36 FINISH: GALV A123 WEIGHT: 340.30 LBS	PART NUMBER: MC-RM1050-4 DESCRIPTION: 4 SECTOR RINGMOUNT ϕ 10" - ϕ 50" POLE DRAWING TYPE: ASSEMBLY DRAWING Hickory, NC 28602 U.S.A.
<small>ALL DIMENSIONS ARE IN INCHES U.O.S. TOLERANCES UNLESS OTHERWISE SPECIFIED: .X = \pm .12 ANGLES \pm2° .XX = \pm .06 FRACTIONS \pm1/32 .XXX = \pm .03 REMOVE BURRS AND BREAK EDGES .005 DO NOT SCALE THIS PRINT</small>				