

# PM-412-48

---



Adjustable Pipe Mount, 4-1/2 in OD x 48 in

## Product Classification

**Product Type** Pipe mount

## General Specifications

**Mounting** Saddle mounts

**Note** One 96 in x 8 in panel antenna per pipe mount

**Pipe, quantity** 1

**Tower Taper** Non-tapered

## Dimensions

**Height** 1,219.2 mm | 48 in

**Width** 152.4 mm | 6 in

**Length** 152.4 mm | 6 in

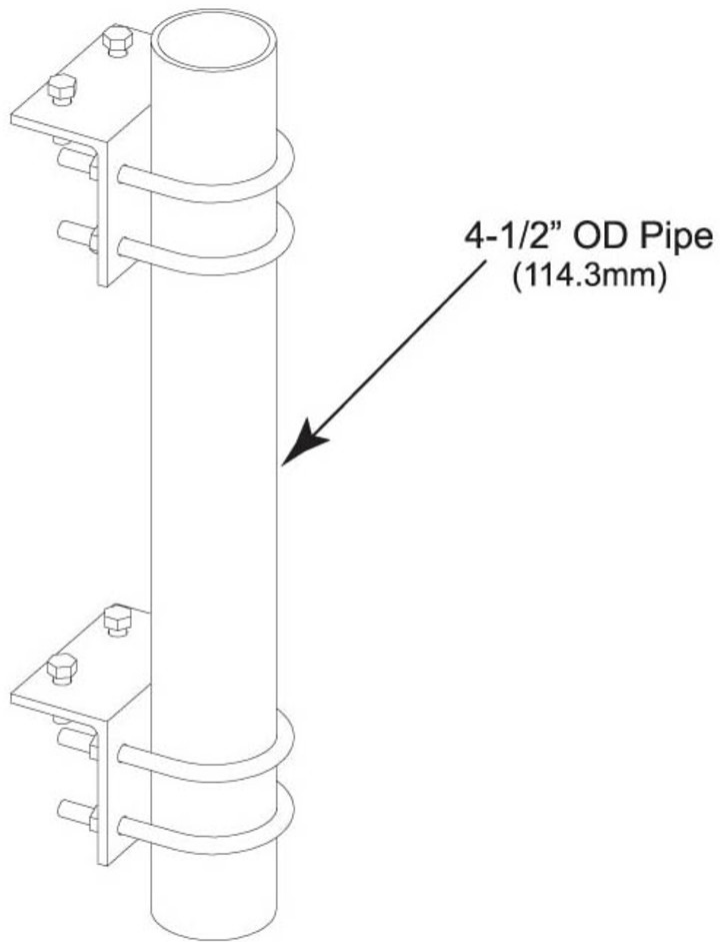
**Pipe Length** 1,219.2 mm | 48 in

**Pipe Outer Diameter** 114.3 mm | 4.5 in

# PM-412-48

---

## Outline Drawing



## Material Specifications

**Material Type** Hot dip galvanized steel

## Mechanical Specifications

**Wind Rating** 120 mph (BWS) at 150 ft AGL

**Wind Rating Test Method** TIA/EIA-222

## Packaging and Weights

**Included** Brackets | Hardware | Pipe

**Packaging quantity** 1

# PM-412-48

---

**Weight, net** 20 kg | 44.092 lb

## Regulatory Compliance/Certifications

<b>Agency</b>	<b>Classification</b>
ISO 9001:2015	Designed, manufactured and/or distributed under this quality management system

## Included Products

MT-653	– Plain End Pipe, 4-1/2 in OD x 48 in x .188" A500C 46Ksi
--------	--

## \* Footnotes

**Wind Rating** BWS—Base Wind Speed; FBC—Florida Building Code