

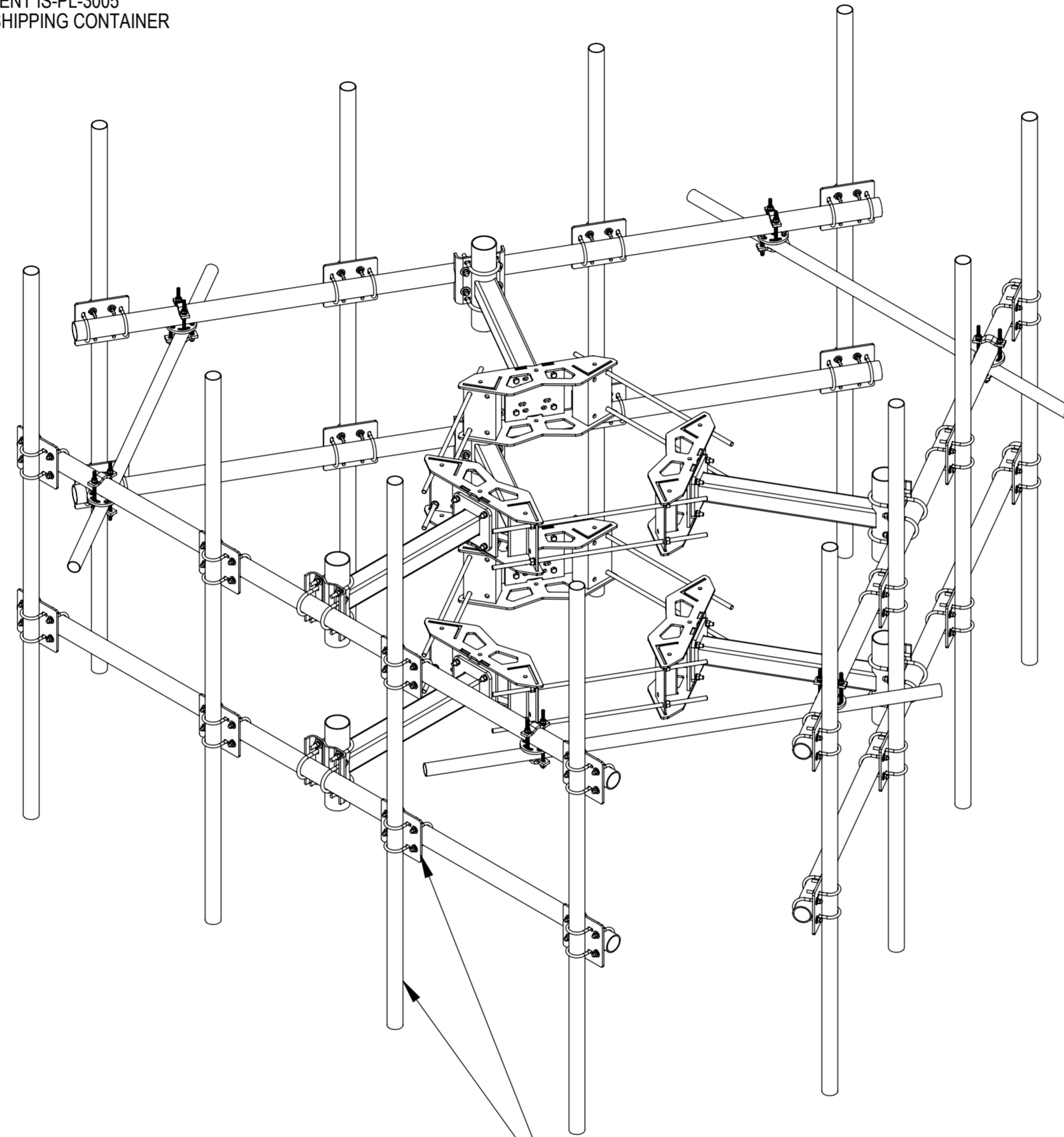
- 1.0 GENERAL
 1.1 ALL IMPERIAL DIMENSIONS ARE IN BRACKETS [X.XX]
 1.2 FOR PATENT INFO: <https://www.cs-pat.com>

- 2.0 DESIGN NOTES
 2.1 ANY HAZARDS OR OBSTRUCTIONS TO THE CLIMBING FACILITY AND SAFETY CLIMB MUST BE IDENTIFIED PRIOR TO INSTALLING THE APPURTENANCE. ADDITIONAL PRODUCTS MAY BE REQUIRED TO MAINTAIN THE INTEGRITY OF THE SAFETY CLIMB. DURING INSTALLATION, TEMPORARY AND/OR PERMANENT PRECAUTIONARY MEASURES SHOULD BE TAKEN TO PRESERVE THE CLIMBING FACILITY AND/OR SAFETY CLIMB.

- 3.0 MANUFACTURING/SPECIAL REQUIREMENTS
 3.1 BREAK SHARP EDGES AND DEBURR FOR SAFE HANDLING.
 3.2 TIGHTEN ALL BOLTS SECURING FLAT PLATES BY THE TURN-OF-NUT METHOD. TIGHTEN ALL U-BOLTS USING TURN-OF-NUT METHOD WITH ATTENTION TO LEAVE EQUAL DISTANCE AND EQUAL FORCE ON EACH LEG OF THE U-BOLT.

- 4.0 TEST
 5.0 PACKAGING

- 5.1 PACKAGING SHALL MEET COMMSCOPE REQUIREMENTS PER DOCUMENT IS-PL-3005
 5.2 PRINTED DOCUMENT TO BE PLACED INSIDE POLYBAG AND THEN IN SHIPPING CONTAINER
 5.3 EXTRA HARDWARE MAYBE SUPPLIED, BAGGED AND SHIPPED

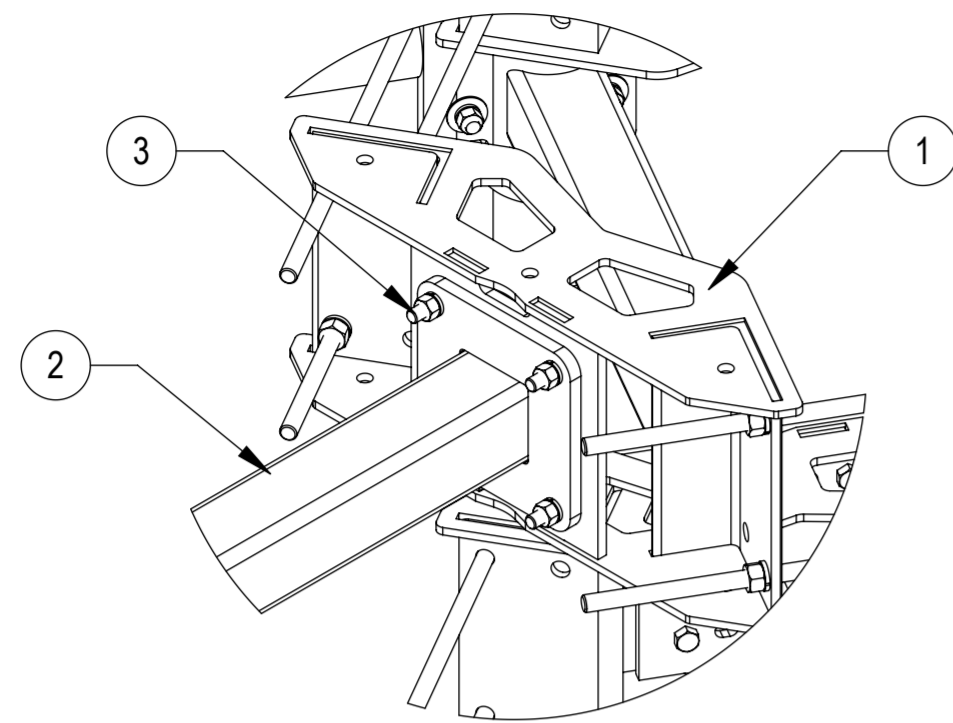


ANTENNA PIPES AND ITS CONNECTORS
 SHOWN FOR REFERENCE
 SOLD SEPARATELY

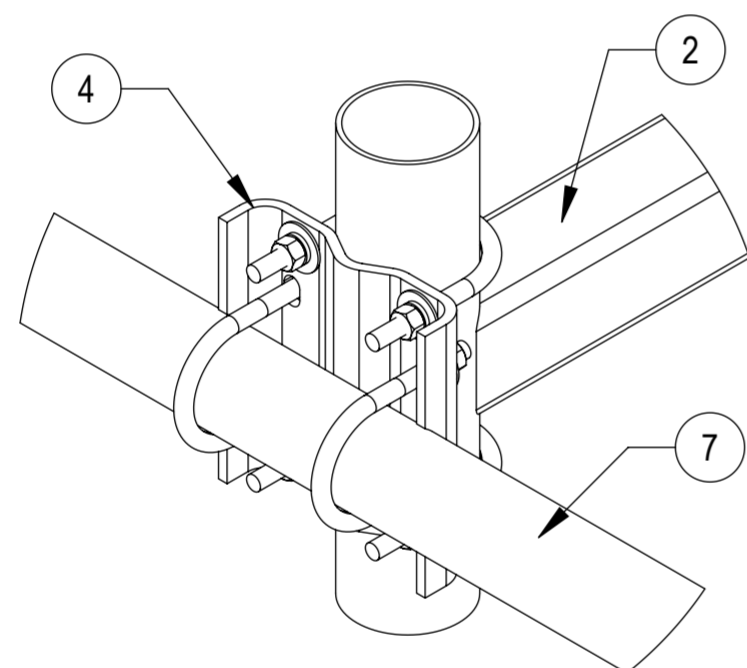
REVISIONS			
REV.	DESCRIPTION	DATE	APPROVED
A	INITIAL RELEASE	JL1183 19JUL22	XK1001 40152107CMO

COMMSCOPE, INC. OF NORTH CAROLINA										
TOLERANCES						SAP MATERIAL MASTER				
0 PLACE X[.X] ± 6[0.25]		2 PLACE .XX[.XXX] ± 1.50[0.060]				MC-KD12M-B				
1 PLACE .X[.XX] ± 3.0[0.12]		ANGLES ± 2°								
FINISH					MATERIAL					
UNLESS OTHERWISE SPECIFIED DIMENSIONS ARE IN MILLIMETERS INTERPRET PER ISO STANDARDS HANDBOOK TECHNICAL DRAWINGS VOLUMES 1 & 2, THIRD EDITION (2002)	NAME		DATE		MONOPOLE, DBL T-ARM, 12' FACE, NO AP, NP XP					
	CE	JL1183	19JUL22							
	RW	JL1183	08/11/2022							
	AD	YMENG	08/11/2022							
	RE	JL1183	08/11/2022		SCALE	DOCUMENT NO.				
ECN 40152107CMO					1:25		MC-KD12M-B			
SIZE	Auth Group	INSL	MODEL			DRAWING				SHEET 1 OF 3
A2			VERSION	STATUS	REVISION	VERSION	STATUS	REVISION		
			00	RE	A	00	RE	A		

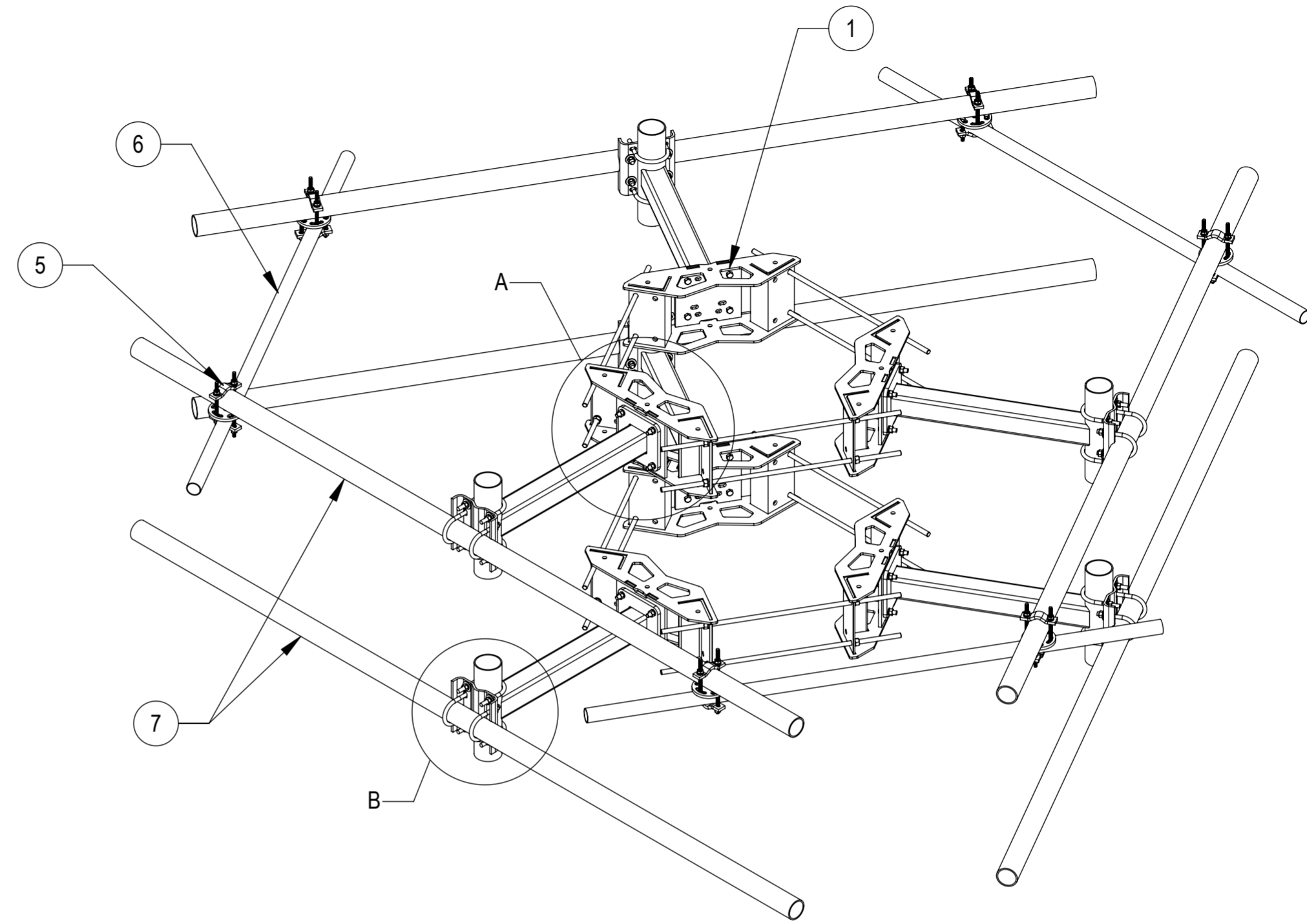
DENSITY	1599.16	lbs/in³
MASS	7288.82	lbs
VOLUME	52787.2	in³
SURFACE AREA		
DENSITY	726889.133	g/mm³
MASS	119449732.921	grams
VOLUME	34056241.305	mm³
SURFACE AREA		
HEIGHT	1372[54.0]	
LENGTH	3810[150.0]	
WIDTH	3810[150.0]	



DETAIL A
SCALE 1 : 8

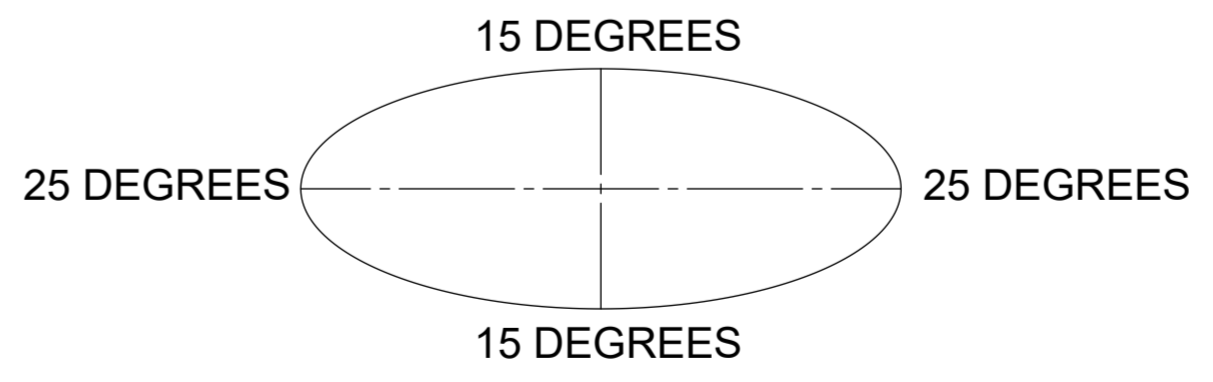


DETAIL B
SCALE 1 : 6



ALLOWABLE TIEBACK ANGLE

±15 DEGREES VERTICAL
±25 DEGREES HORIZONTAL



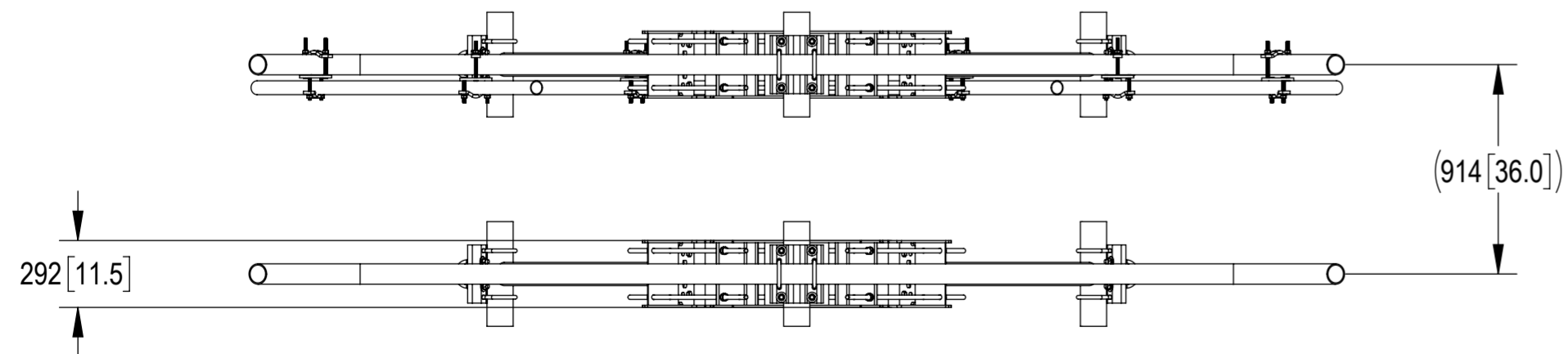
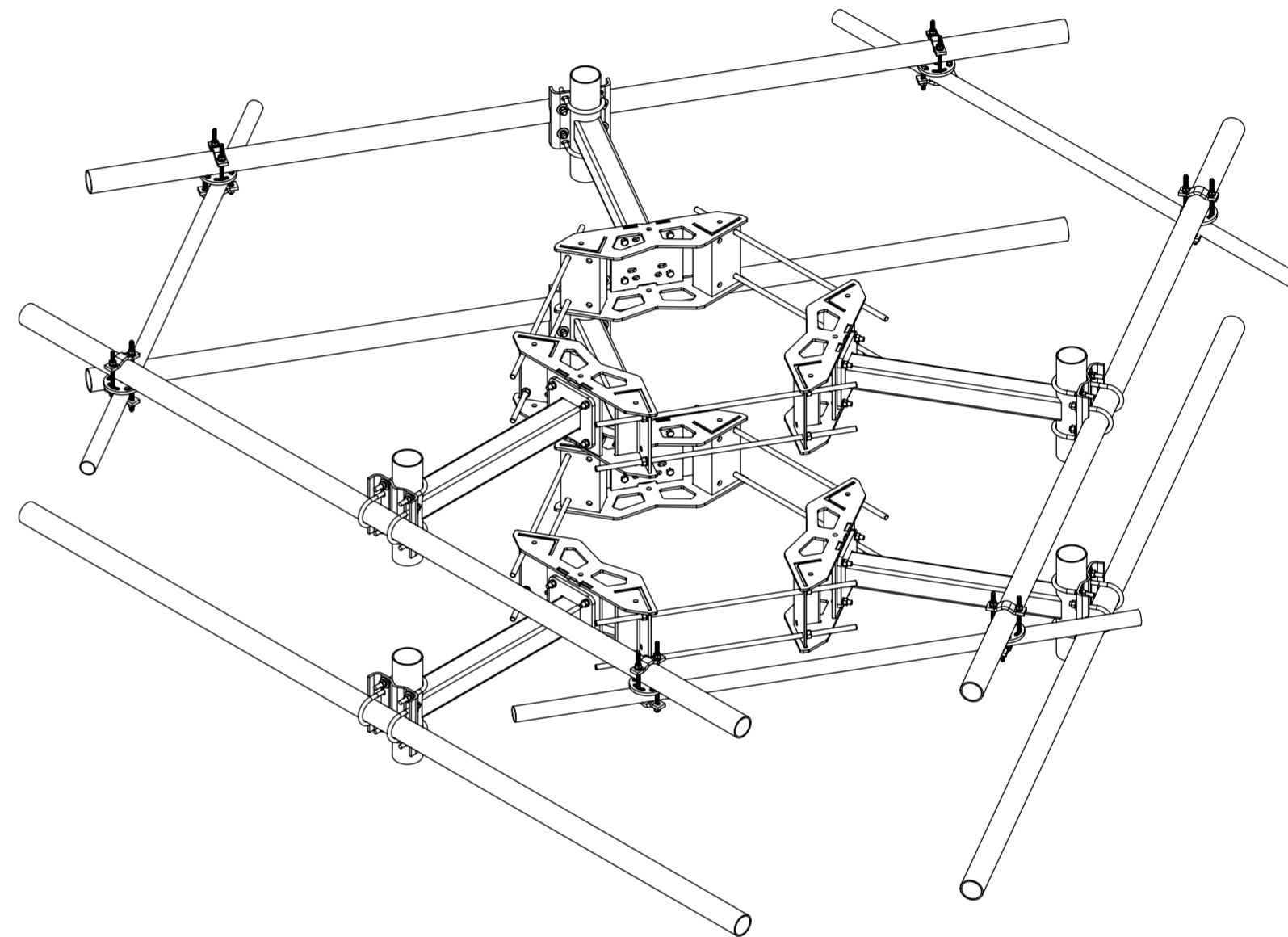
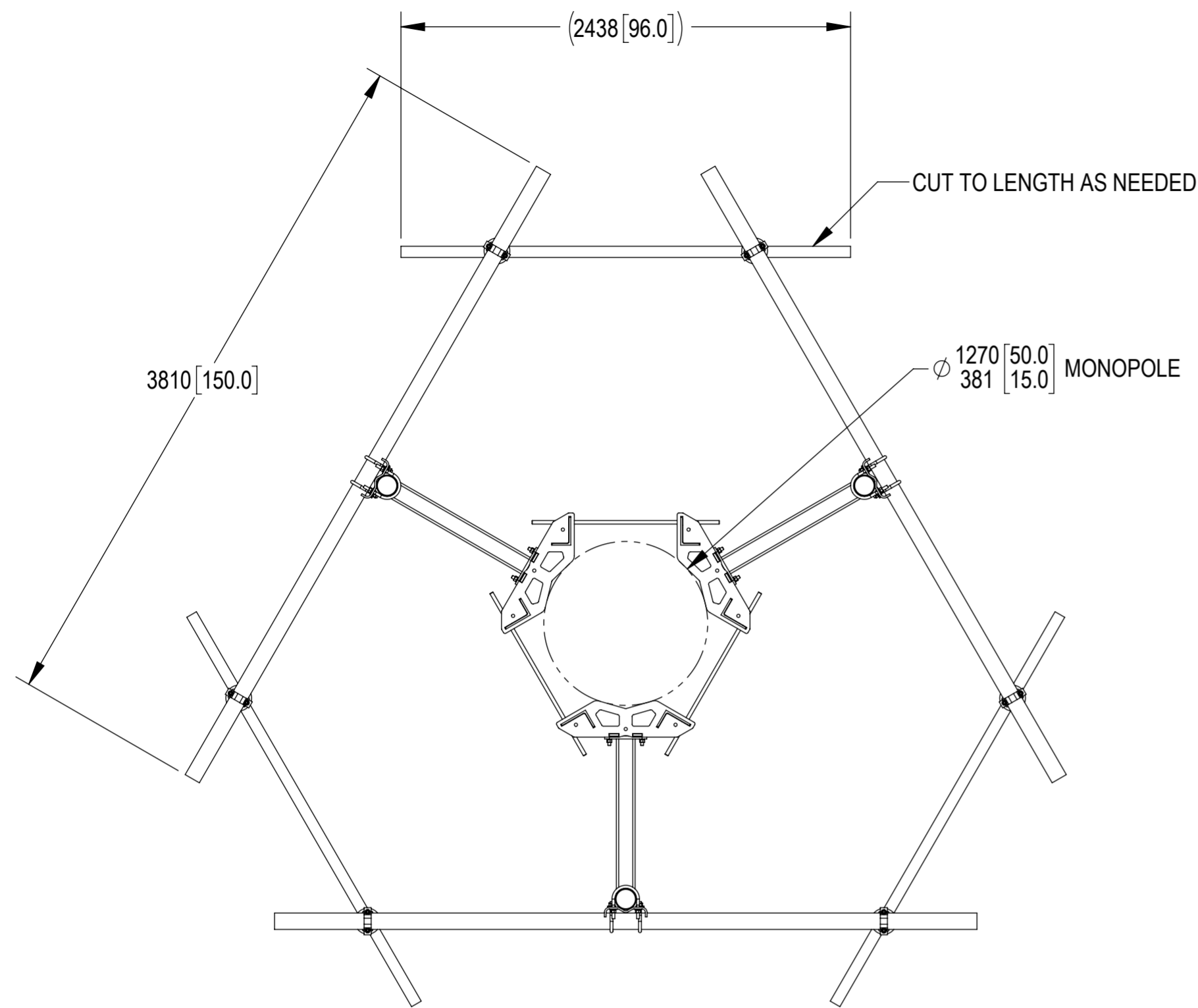
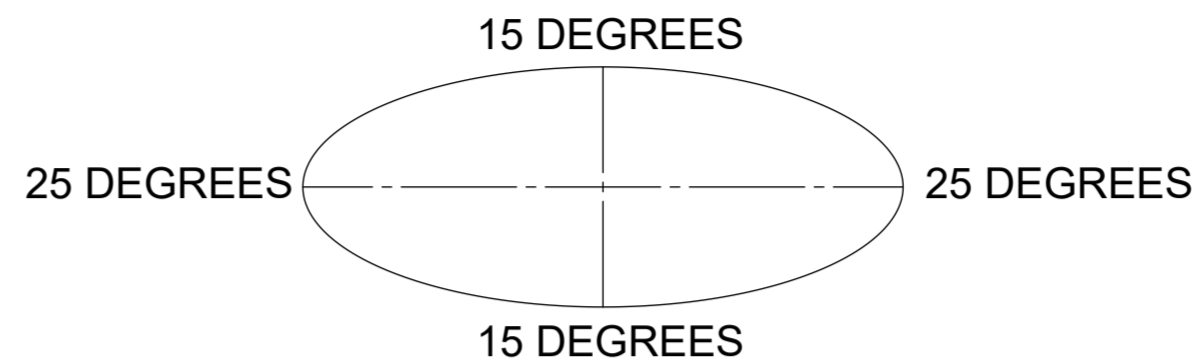
COMPONENT PART NUMBERS PROVIDED FOR ASSEMBLY PURPOSES;
INDIVIDUAL COMPONENTS MAY BE SHIPPED AS PARTS WITHIN AN INCLUDED KIT.

ITEM NO.	PART NUMBER	DESCRIPTION	QTY.	NOTE NO.
1	MC-RM1550-3	15" - 50" OD RINGMOUNT	2	
2	MT19701	36" SINGLE SUPPORT ARM	6	
3	GB-05245	5/8" X 2-1/2" GALV BOLT KIT	24	
4	MT216NSH	12" CENTER BRACKET	6	
5	XP-R	CROSSOVER PLATE, ROUND, UP TO 3.5" OD	6	
6	MT-651-96	2.375" OD X 96" PIPE	3	
7	MTC547150216	3-1/2" OD X 150" GALV PIPE	6	

COMMSCOPE, INC. OF NORTH CAROLINA				
TITLE MONOPOLE, DBL T-ARM, 12' FACE, NO AP, NP XP				
SIZE A2	SCALE 1:25	DOCUMENT NO. MC-KD12M-B		
		DRAWING		SHEET
		VERSION	STATUS	REVISION
		00	RE	A
				SHEET 2 OF 3

ALLOWABLE TIEBACK ANGLE

±15 DEGREES VERTICAL
±25 DEGREES HORIZONTAL



TOP
↑
↓
BOTTOM

COMMSCOPE, INC. OF NORTH CAROLINA				
TITLE MONOPOLE, DBL T-ARM, 12' FACE, NO AP, NP XP				
SIZE A2	SCALE 1:25	DOCUMENT NO. MC-KD12M-B		
		DRAWING		SHEET
		VERSION	STATUS	REVISION
		00	RE	A
				SHEET 3 OF 3