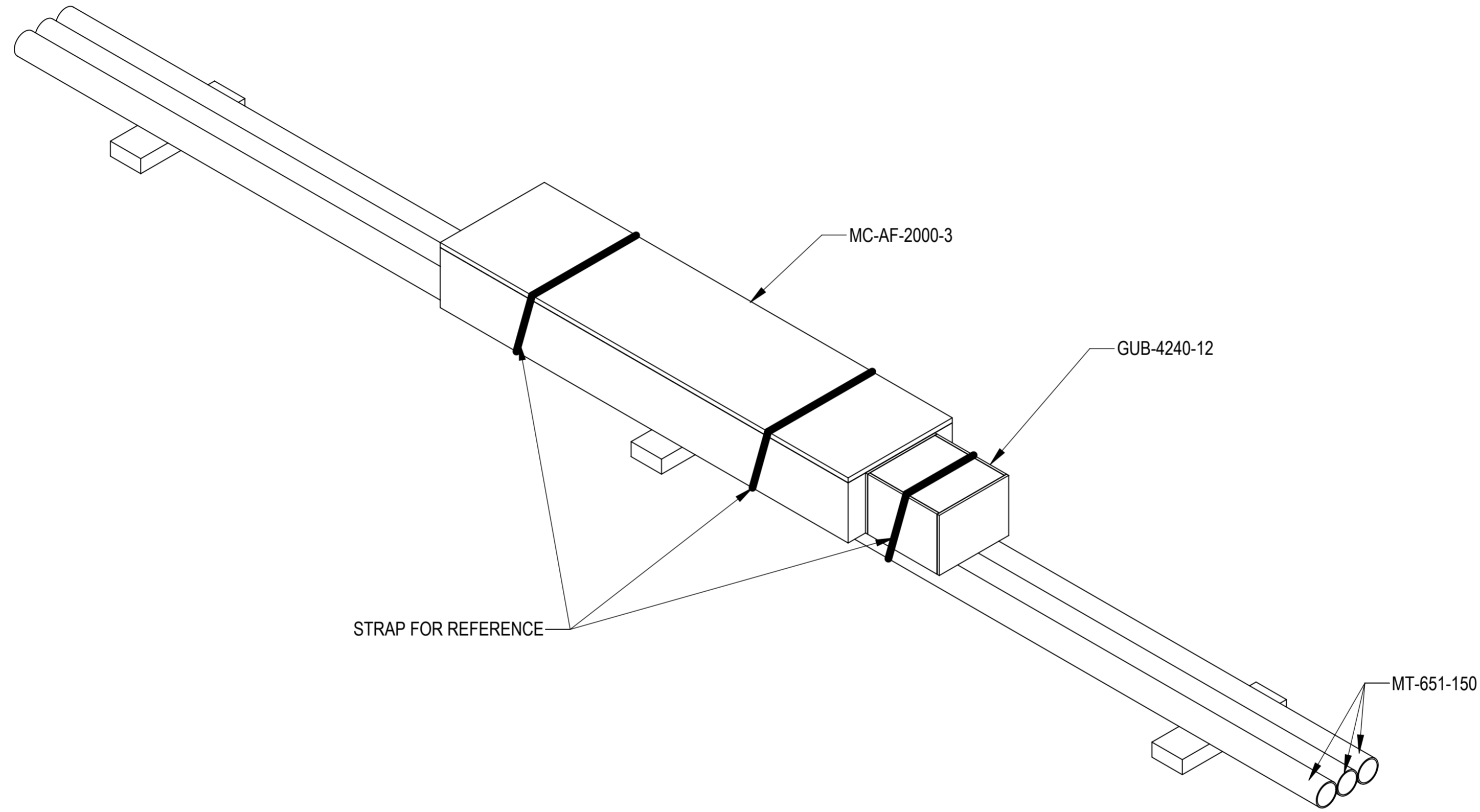


- 1.0 GENERAL NOTES
 1.1 ALL IMPERIAL DIMENSIONS ARE IN BRACKETS [X.XX]
 1.2 FOR PATENT INFO: <https://www.cs-pat.com>
- 2.0 DESIGN NOTES
 2.1 KIT WILL WORK WITH 12 FOOT MC-CP & MC-HP PLATFORM KITS AND MONOPOLE SIZES FROM 15" OD TO 50" OD.
- 3.0 MANUFACTURING/SPECIAL REQUIREMENTS
 3.1 TIGHTEN ALL BOLTS SECURING FLAT PLATES BY THE TURN-OF-NUT METHOD. TIGHTEN ALL U-BOLTS USING TURN-OF-NUT METHOD WITH ATTENTION TO LEAVE EQUAL DISTANCE AND EQUAL FORCE ON EACH LEG OF THE U-BOLT.
- 4.0 TEST
- 5.0 PACKAGING
 5.1 PACKAGING SHALL MEET COMMSCOPE REQUIREMENTS PER DOCUMENT IS-PL-3005
 5.2 PRINTED DOCUMENT TO BE PLACED INSIDE POLYBAG AND THEN IN SHIPPING CONTAINER
 5.3 EXTRA HARDWARE MAYBE SUPPLIED, BAGGED AND SHIPPED

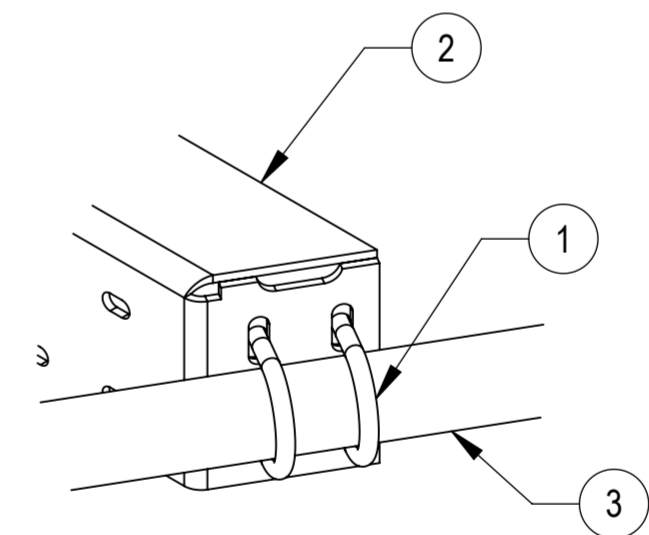
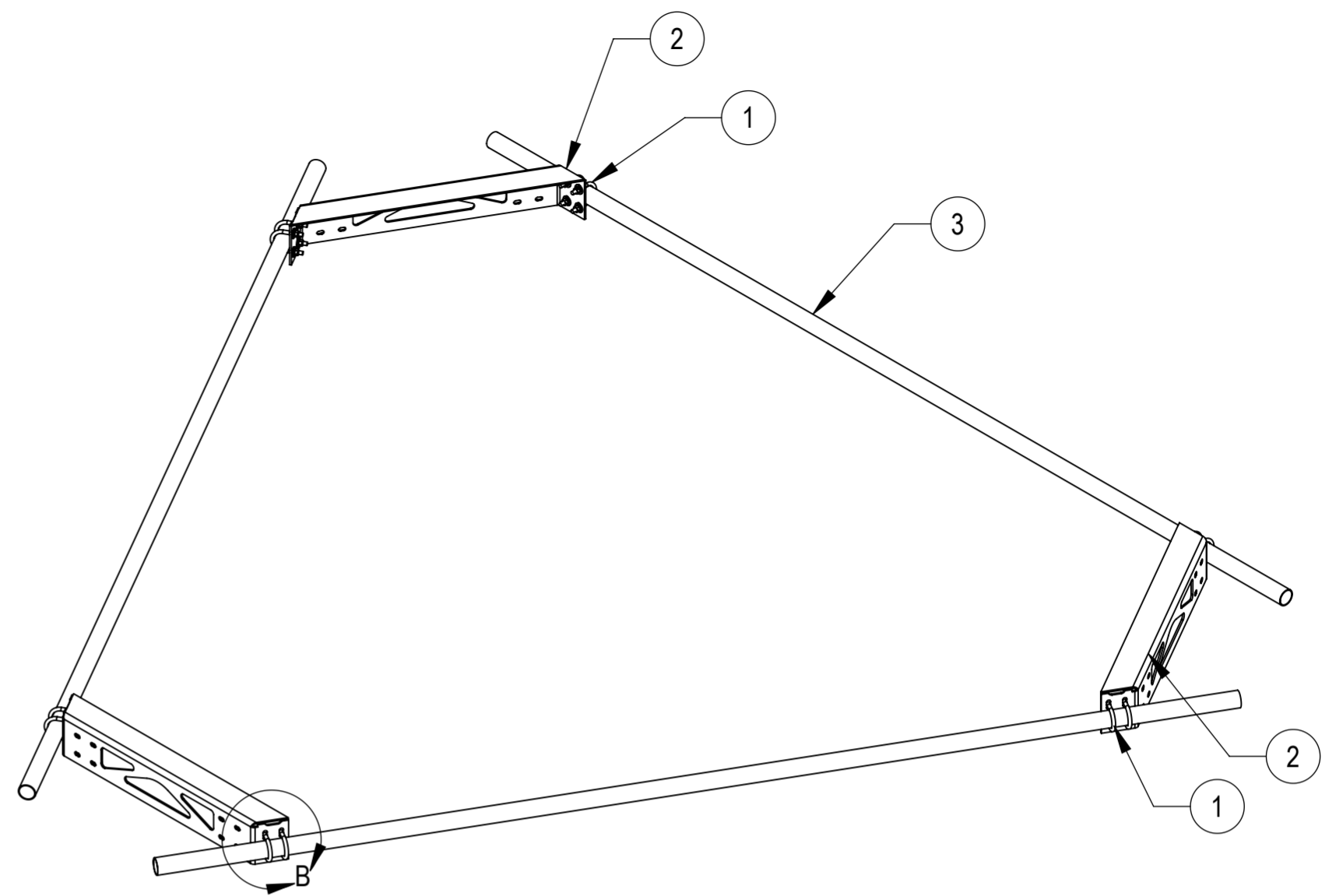
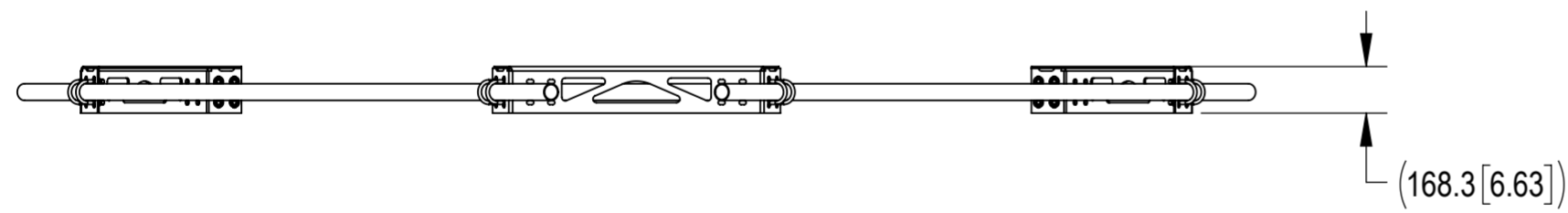
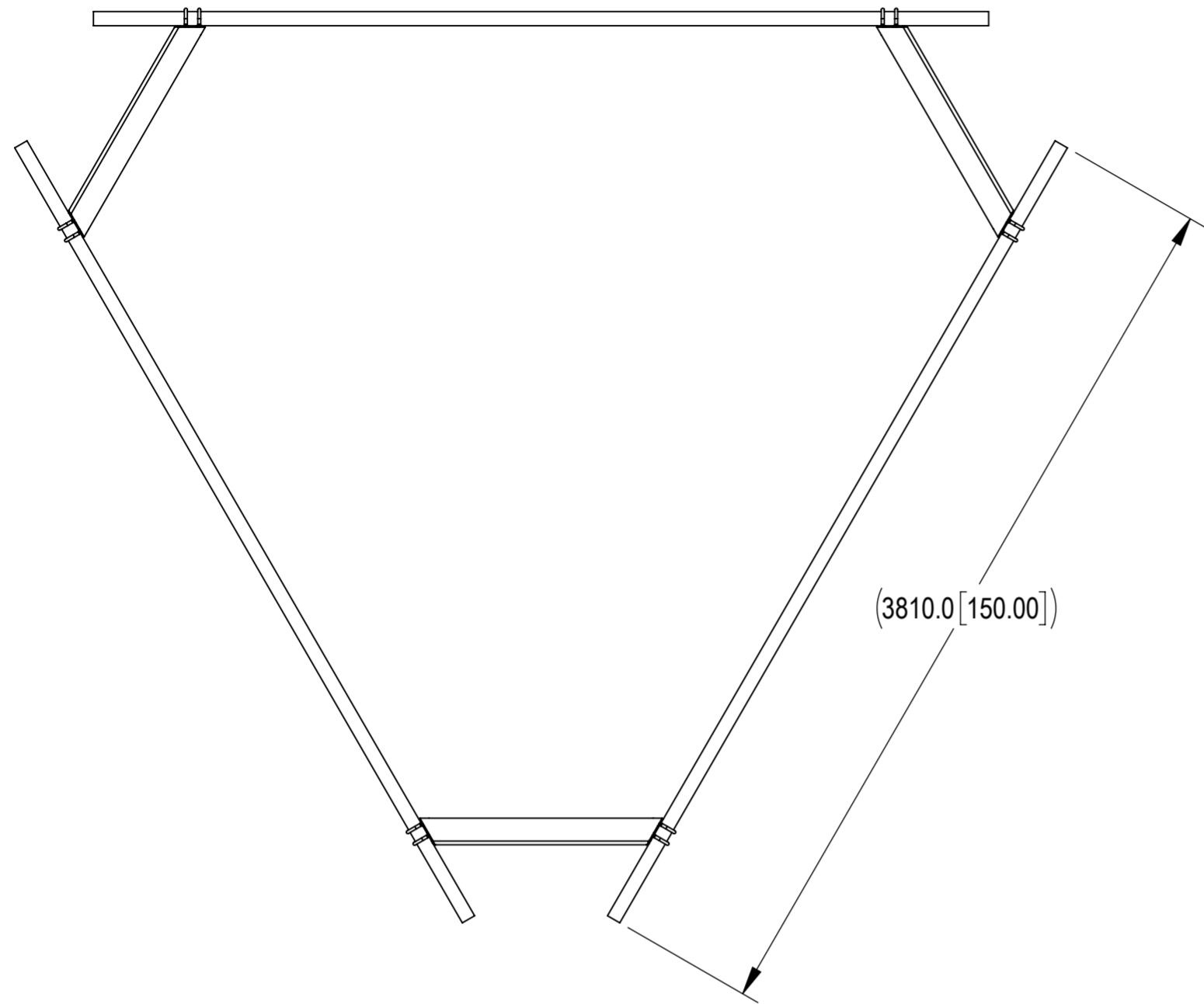
REVISIONS			
REV.	DESCRIPTION	DATE	APPROVED
A	INITIAL RELEASE	JL1183 10FEB23	CB1094 40159799CMO



COMMSCOPE, INC. OF NORTH CAROLINA

TOLERANCES		SAP MATERIAL MASTER																											
0 PLACE	X[.X] ± 6[0.25]	2 PLACE	.XX[.XXX] ± 1.50[0.06]																										
1 PLACE	.X[.XX] ± 3.0[0.12]	ANGLES	± 2°																										
FINISH		MATERIAL																											
<table border="1" style="font-size: small;"> <thead> <tr> <th></th> <th>NAME</th> <th>DATE</th> <th>TITLE</th> </tr> </thead> <tbody> <tr> <td>CE</td> <td>JL1183</td> <td>10FEB23</td> <td rowspan="4" style="text-align: center; vertical-align: middle;">HANDRAIL KIT</td> </tr> <tr> <td>RW</td> <td>JL1183</td> <td>02/14/2023</td> </tr> <tr> <td>AD</td> <td>CB1094</td> <td>02/16/2023</td> </tr> <tr> <td>RE</td> <td>JL1183</td> <td>02/16/2023</td> </tr> </tbody> </table>			NAME	DATE	TITLE	CE	JL1183	10FEB23	HANDRAIL KIT	RW	JL1183	02/14/2023	AD	CB1094	02/16/2023	RE	JL1183	02/16/2023	SCALE: 1:20 DOCUMENT NO.: HRK-12-12-01										
	NAME	DATE	TITLE																										
CE	JL1183	10FEB23	HANDRAIL KIT																										
RW	JL1183	02/14/2023																											
AD	CB1094	02/16/2023																											
RE	JL1183	02/16/2023																											
<table border="1" style="font-size: x-small;"> <thead> <tr> <th>SIZE</th> <th>Auth Group</th> <th>INSL</th> <th colspan="3">MODEL</th> <th colspan="3">DRAWING</th> <th>SHEET</th> </tr> </thead> <tbody> <tr> <td rowspan="2" style="font-size: 2em;">A2</td> <td rowspan="2" style="text-align: center;">⊕</td> <td rowspan="2" style="text-align: center;">◁</td> <td>VERSION</td> <td>STATUS</td> <td>REVISION</td> <td>VERSION</td> <td>STATUS</td> <td>REVISION</td> <td rowspan="2" style="text-align: center;">1 OF 2</td> </tr> <tr> <td>00</td> <td>RE</td> <td>A</td> <td>00</td> <td>RE</td> <td>A</td> </tr> </tbody> </table>		SIZE	Auth Group	INSL	MODEL			DRAWING			SHEET	A2	⊕	◁	VERSION	STATUS	REVISION	VERSION	STATUS	REVISION	1 OF 2	00	RE	A	00	RE	A		
SIZE	Auth Group	INSL	MODEL			DRAWING			SHEET																				
A2	⊕	◁	VERSION	STATUS	REVISION	VERSION	STATUS	REVISION	1 OF 2																				
			00	RE	A	00	RE	A																					

DENSITY	lbs/in ³
MASS	199.54 lbs
VOLUME	705.9 in ³
SURFACE AREA	9254.13 in ²
DENSITY	g/mm ³
MASS	90699.6371 grams
VOLUME	11568292.0376 mm ³
SURFACE AREA	5970404.2423 mm ²



DETAIL B
SCALE 1 : 5

COMPONENT PART NUMBERS PROVIDED FOR ASSEMBLY PURPOSES;
INDIVIDUAL COMPONENTS MAY BE SHIPPED AS PARTS WITHIN AN INCLUDED KIT.

ITEM NO.	PART NUMBER	DESCRIPTION	QTY.
1	GUB-4240	1/2" X 2-1/2" X 4" GALV U-BOLT	12
2	MC-AF-2000-00	CONNER WELDMEMT, HANDRAIL	3
3	MT-651-150	2.375" OD X 150" PIPE	3

COMMSCOPE, INC. OF NORTH CAROLINA				
TITLE HANDRAIL KIT				
SIZE A2	SCALE 1:20	DOCUMENT NO. HRK-12-12-01		
DRAWING				SHEET
VERSION 00	STATUS RE	REVISION A	2 OF 2	