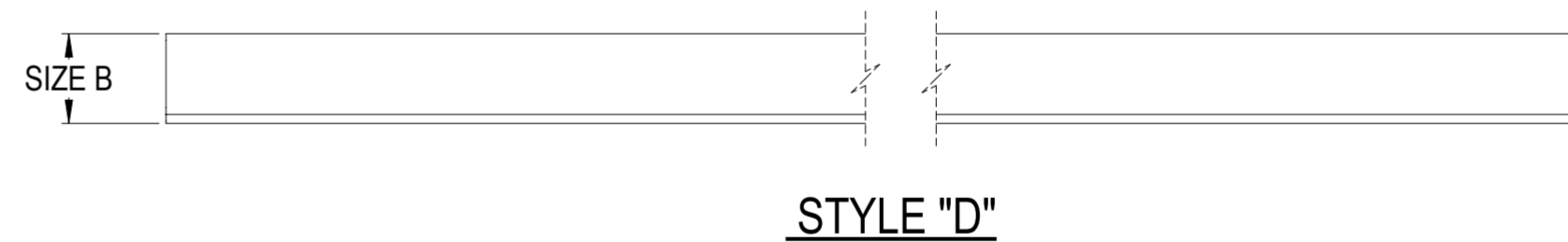
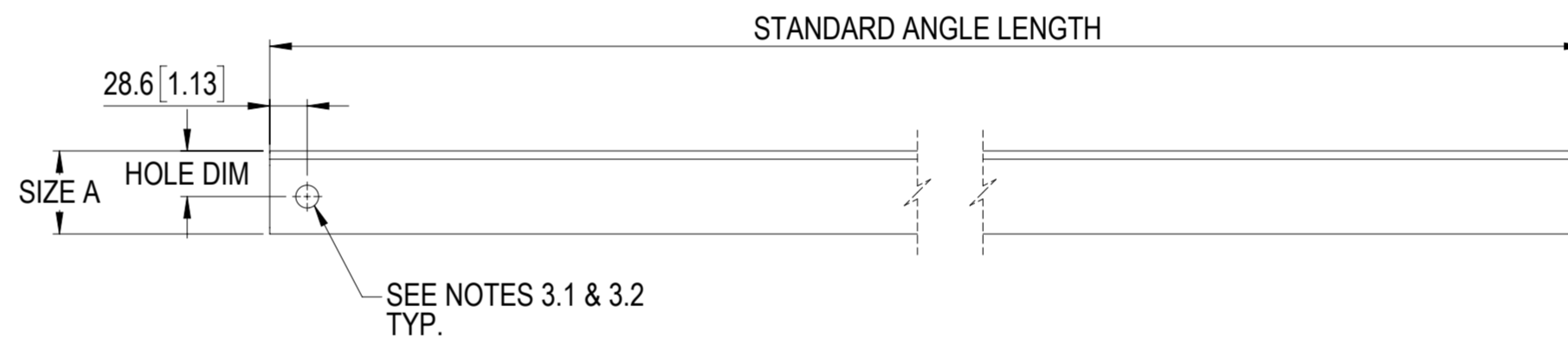
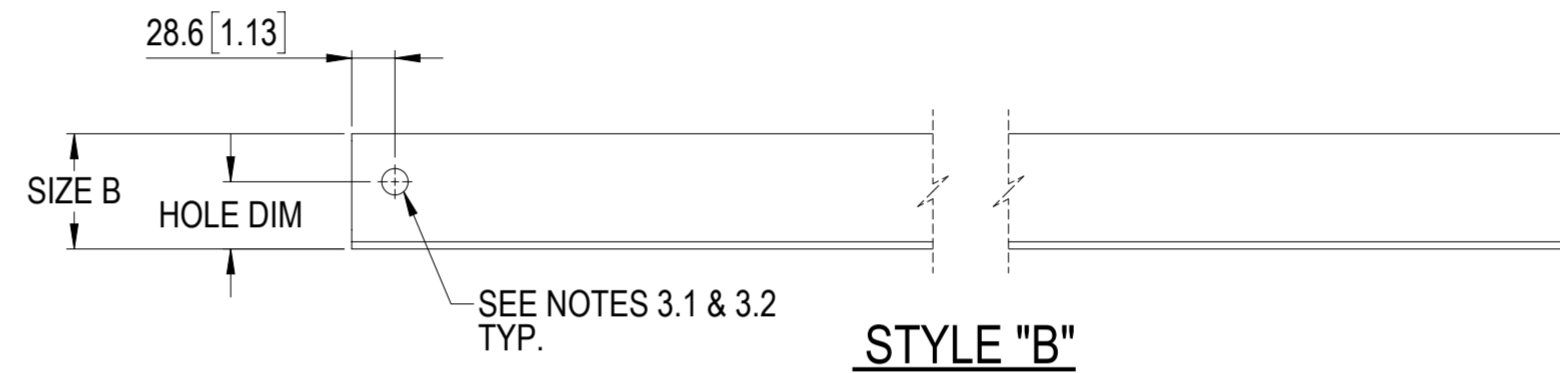
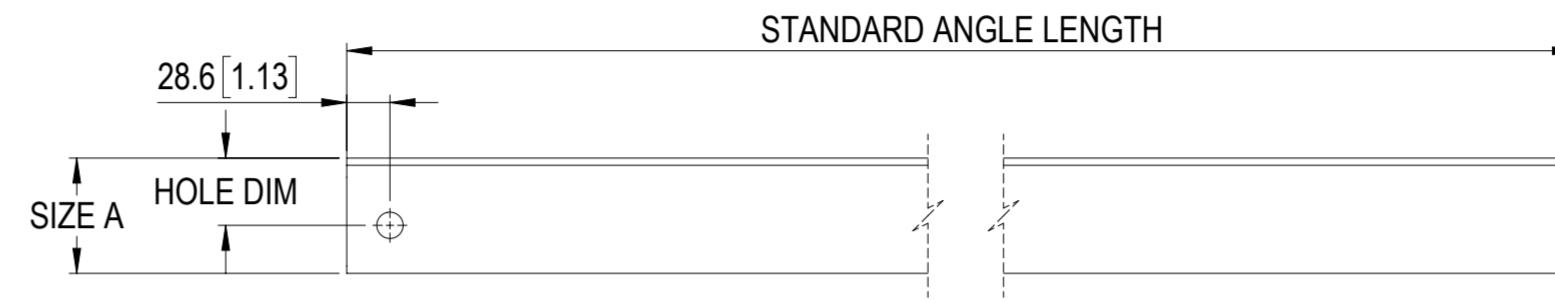
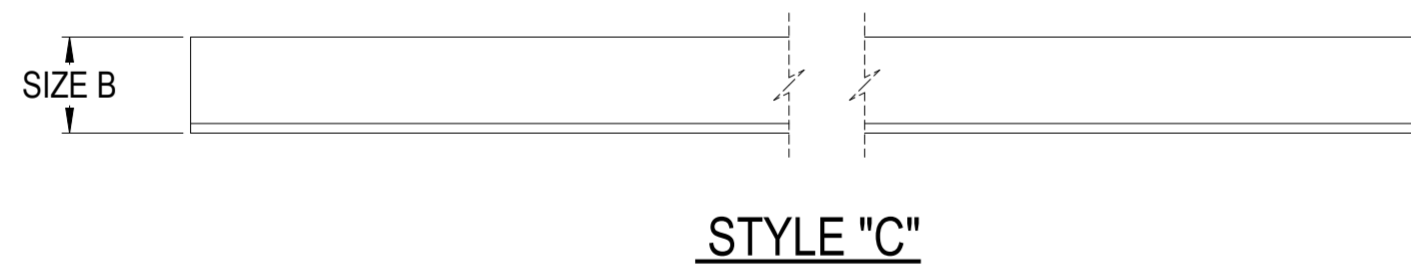
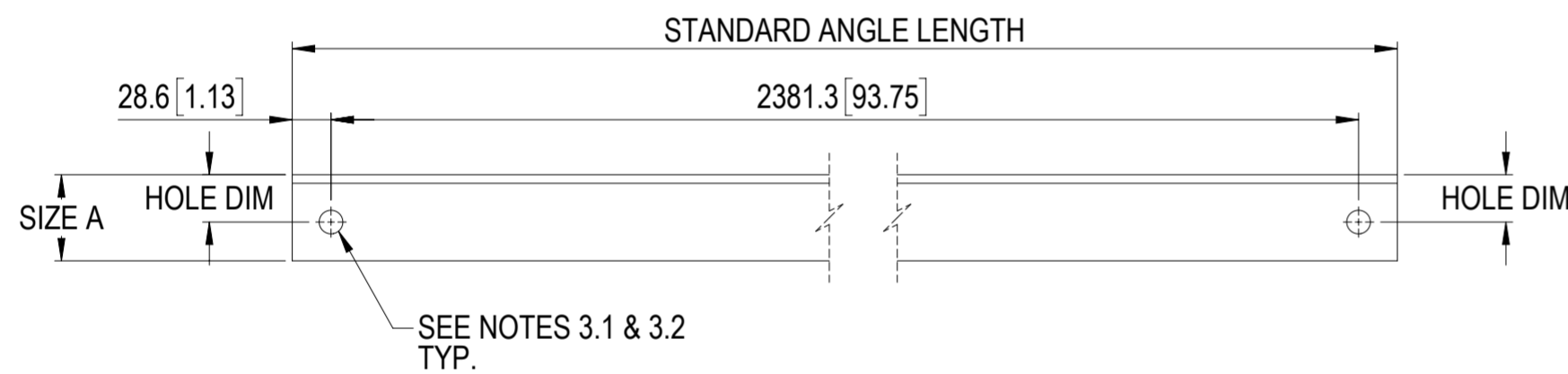
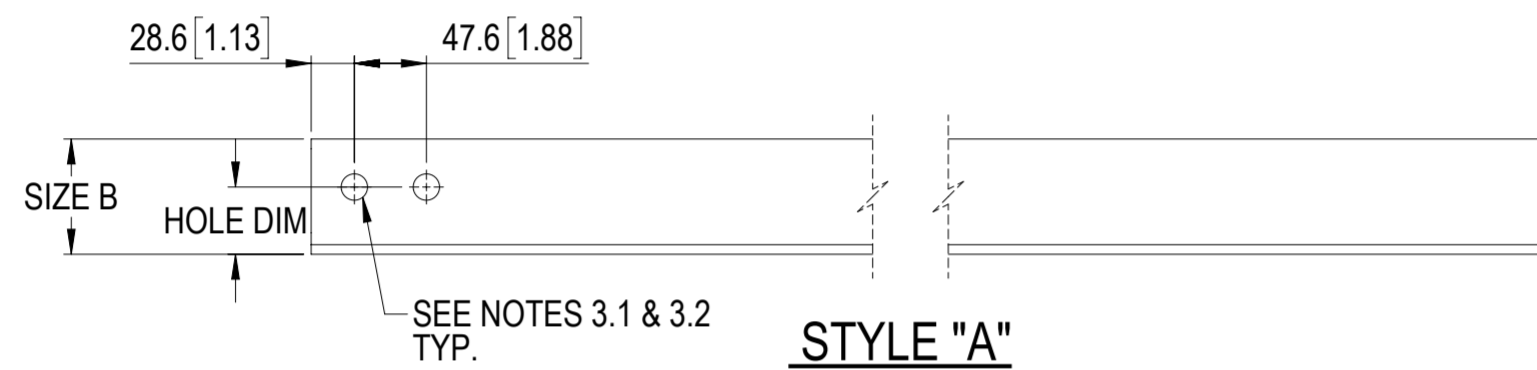
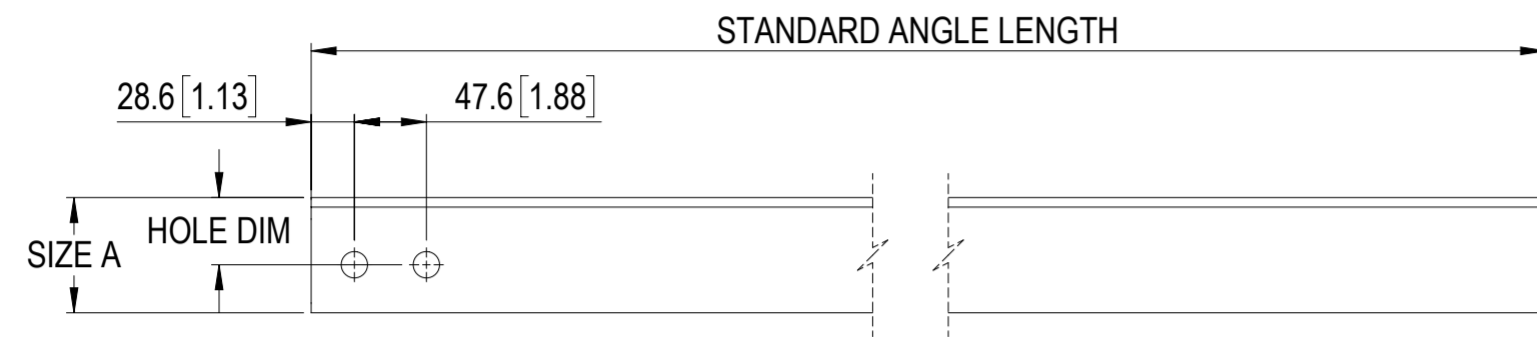


- 1.0 GENERAL NOTES
 1.1 ALL IMPERIAL DIMENSIONS ARE IN BRACKETS [X.XX]
 1.2 FEATURES CRITICAL TO QUALITY ARE INDICATED IN ROUNDED BOX (X.X)
 1.3 MARK PART WITH IDENTIFICATION NUMBER
 2.0 DESIGN NOTES
 2.1 DESIGNED PER CUSTOMER REQUIREMENTS
 3.0 MANUFACTURING/SPECIAL REQUIREMENTS
 3.1 ALL HOLES ARE 17.5[.69] DIA U.N.O.
 3.2 HOLES MAY OR MAY NOT BE PRESENT, DEPEND UPON MANUFACTURE DISCRETION.
 3.3 ALL FIELD CUT AND DRILLED SURFACES SHALL BE REPAIRED WITH A MINIMUM OF TWO COATS

- 3.4 APPROVED SMART KIT VENDORS ARE ALLOWED TO SUBSTITUTE AT THEIR DISCRETION ANGLES LISTED ON THIS PAGE FOR CUSTOM LENGTH COMPONENTS OF MATCHING SIZE, SUBSTITUTIONS SHALL MEET THE ORIGINAL STRUCTURAL INTENT.
 3.5 HOT-DIPPED GALVANIZED PER ASTM A123.
 4.0 TEST
 5.0 PACKAGING
 5.1 PACKAGING SHALL MEET COMMSCOPE REQUIREMENTS PER DOCUMENT IS-PL-3005.

REVISIONS			
REV.	DESCRIPTION	DATE	APPROVED
A	INITIAL RELEASE	XG1026 14JUN22	XK1001 40149852CMO
B	RENAMED " HOLE GAGE " TO " HOLE DIM " ; REMARKED HOLE DIM ON STYLE C AND D, ADDED NOTES	XG1026 27SEP22	XK1001 40157675CMO
C	ADD A-L50X30X6X240	YX1027 29MAY24	40196754CMO



PART NO.	DESCRIPTION	STYLE	SIZE A		SIZE B		THICKNESS		STANDARD LENGTH		HOLE DIM		MASS		MATERIAL GRADE (P/N)
			MM	INCH	MM	INCH	MM	INCH	MM	INCH	MM	INCH	KG	LBS	
A-PLK2-01	ANGLE 3" X 3" X 1/4"	A	76.2	3	76.2	3	6.35	1/4	2438	96	44.5	1-3/4	17.7	39.0	A529-GR50-12
A-PLK5-01	ANGLE 3" X 3" X 3/16"	B	76.2	3	76.2	3	4.76	3/16	2438	96	44.5	1-3/4	13.3	29.9	A529-GR50-13
A-SFK3-01	ANGLE 2-1/2" X 2-1/2" X 1/4"	C	63.5	2.5	63.5	2.5	6.35	1/4	2438	96	34.9	1-3/8	14.6	32.2	A529-GR50-14
A-L25X25X4X120	ANGLE 2-1/2" X 2-1/2" X 1/4"	D	63.5	2.5	63.5	2.5	6.35	1/4	3048	120	33.3	1-5/16	18.3	40.3	A529-GR50-14
A-L25X25X4X240	ANGLE 2-1/2" X 2-1/2" X 1/4"	D	63.5	2.5	63.5	2.5	6.35	1/4	6096	240	33.3	1-5/16	36.6	80.6	A529-GR50-14
A-L30X30X4X120	ANGLE 3" X 3" X 1/4"	D	76.2	3	76.2	3	6.35	1/4	3048	120	38.1	1-1/2	22.1	48.8	A529-GR50-12
A-L30X30X4X240	ANGLE 3" X 3" X 1/4"	D	76.2	3	76.2	3	6.35	1/4	6096	240	38.1	1-1/2	44.3	97.7	A529-GR50-12
A-L40X40X4X120	ANGLE 4" X 4" X 1/4"	D	101.6	4	101.6	4	6.35	1/4	3048	120	50.8	2	29.9	65.9	A529 GR50
A-L40X40X4X240	ANGLE 4" X 4" X 1/4"	D	101.6	4	101.6	4	6.35	1/4	6096	240	50.8	2	59.8	131.8	A529 GR50
A-L50X30X6X120	ANGLE 5" X 3" X 3/8"	D	127.0	5	76.2	3	9.53	3/8	3048	120	63.5	2-1/2	43.7	96.2	A529 GR50
A-L50X30X6X240	ANGLE 5" X 3" X 3/8"	D	127.0	5	76.2	3	9.53	3/8	6096	240	63.5	2-1/2	87.4	192.4	A529 GR50
A-L50X50X6X120	ANGLE 5" X 5" X 3/8"	D	127.0	5	127.0	5	9.53	3/8	3048	120	63.5	2-1/2	55.2	121.8	A529 GR50

COMMSCOPE, INC. OF NORTH CAROLINA

TOLERANCES
 0 PLACE .X[X] ± 3[0.1] 2 PLACE .XX[.XXX] ± 0.76[0.030]
 1 PLACE .X[.XX] ± 1.5[0.06] ANGLES ± 1°

SAP MATERIAL MASTER
SEE TABLE

FINISH: GALV A123 MATERIAL: SEE TABLE

NAME	DATE	TITLE
CE XG1026	6/13/2022	VZSMART STANDARD ANGLE
RW YX1027	05/29/2024	
AD YMENG	05/31/2024	
RE YMENG	05/31/2024	

UNLESS OTHERWISE SPECIFIED DIMENSIONS ARE IN MILLIMETERS INTERPRET PER ANSI Y 14.5M-1994

ECN 40196754CMO

SCALE: **1:5** DOCUMENT NO: **VZSMART-ANGLE**

SIZE	Auth Group	INSL	MODEL	DRAWING			SHEET
VERSION	STATUS	REVISION	VERSION	STATUS	REVISION		
A2	00	RE	A	02	RE	C	1 OF 1

DENSITY: g/mm³ MASS: SEE TABLE grams VOLUME: mm³ SURFACE AREA: mm² HEIGHT: SEE TABLE