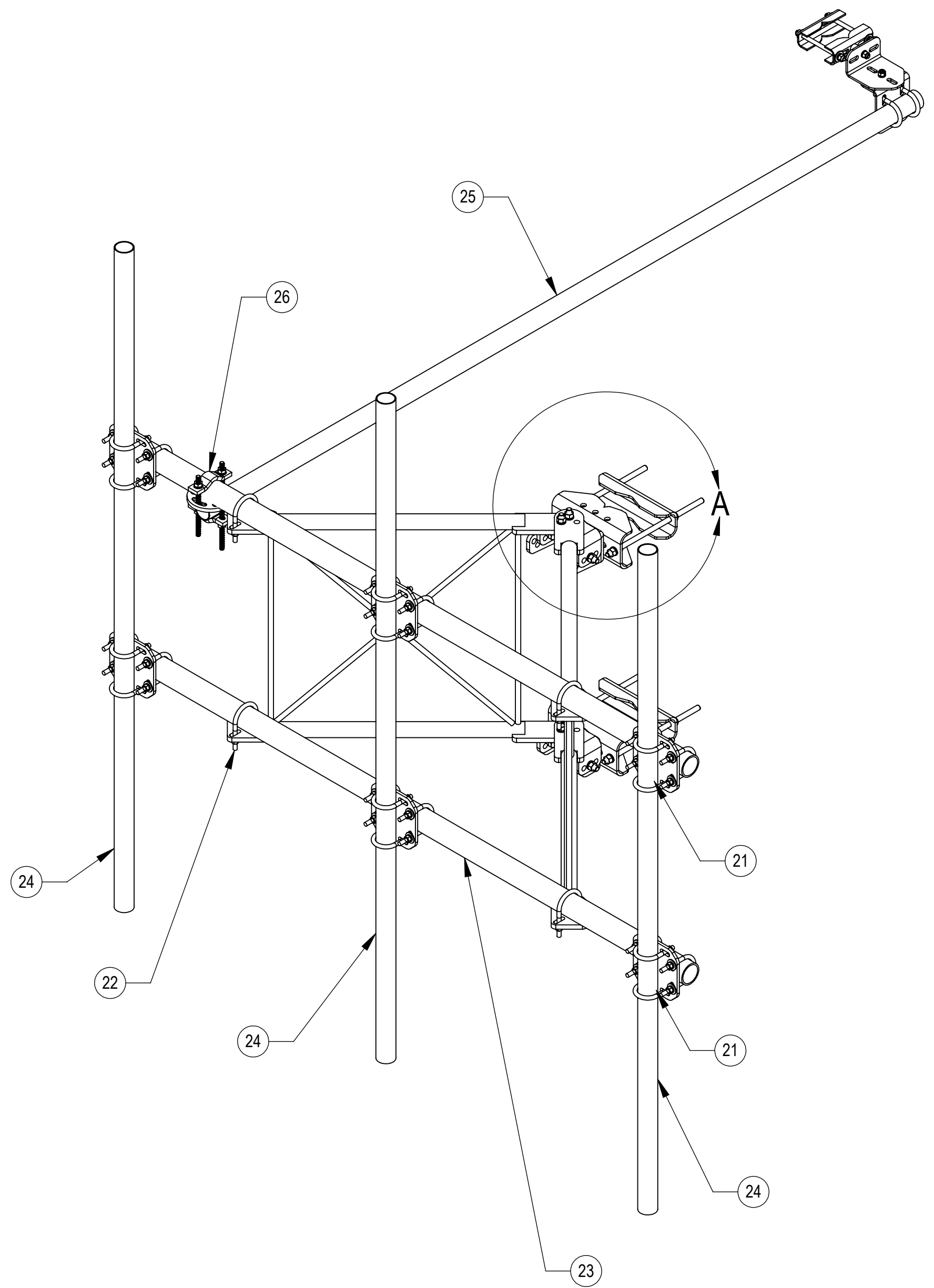


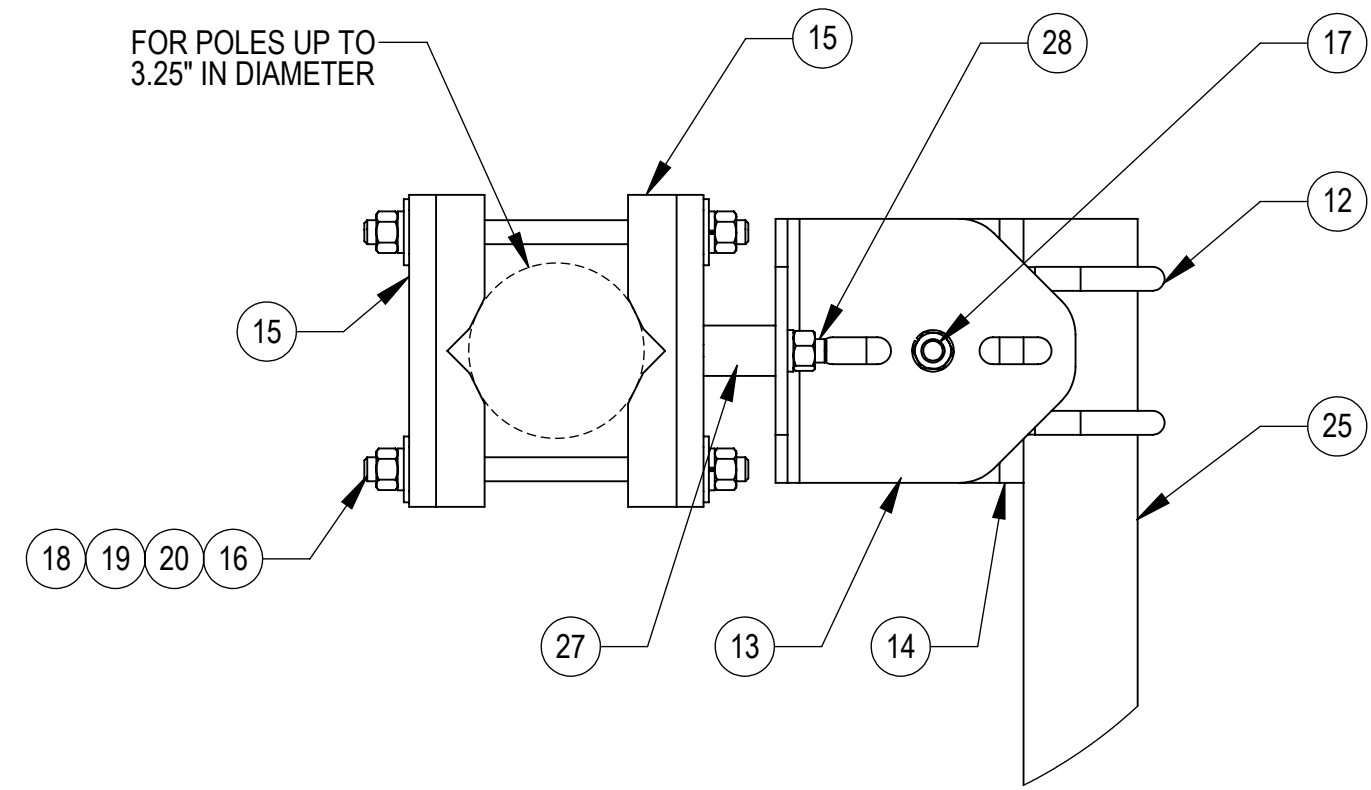
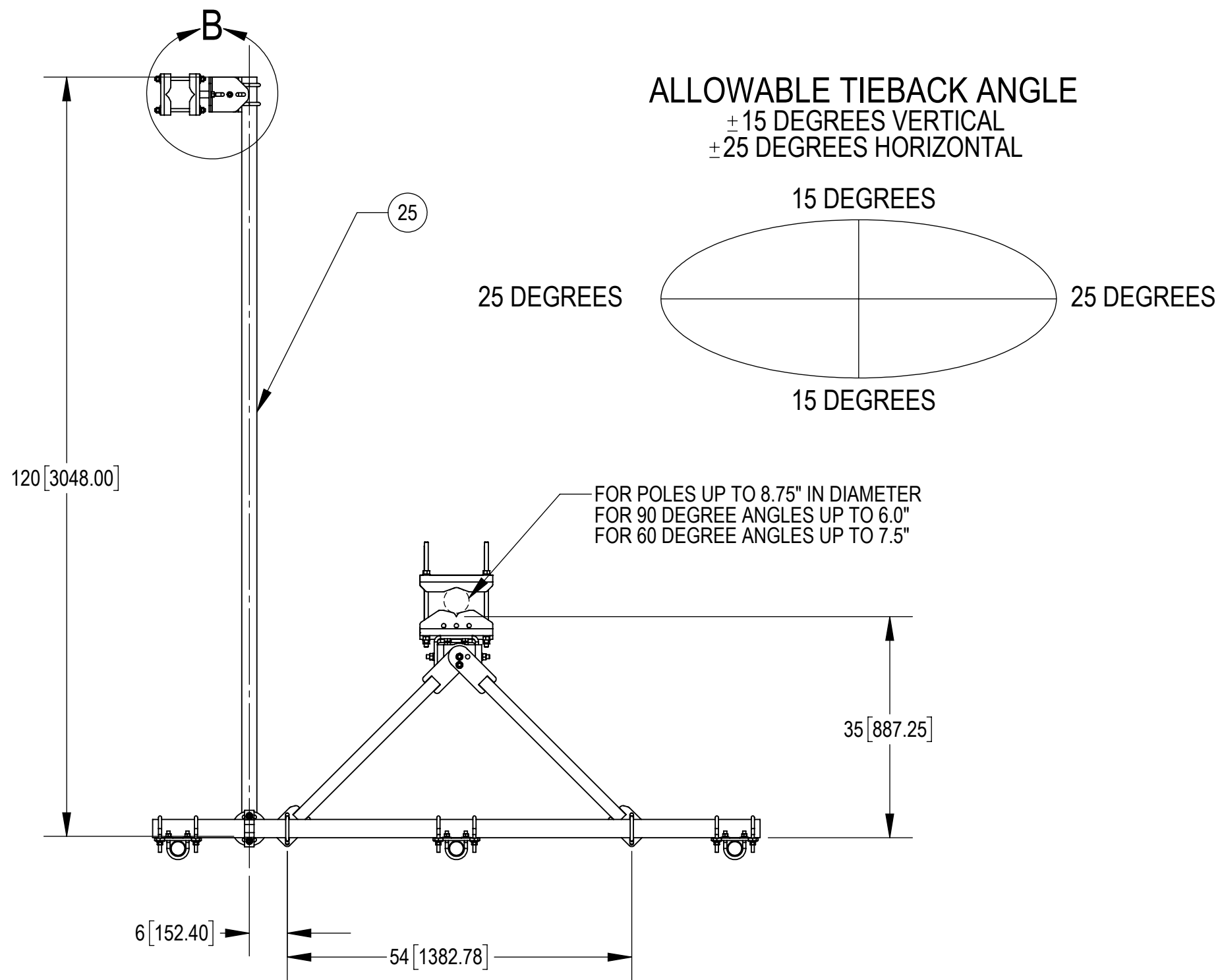
DETAIL A
SCALE 1 : 4



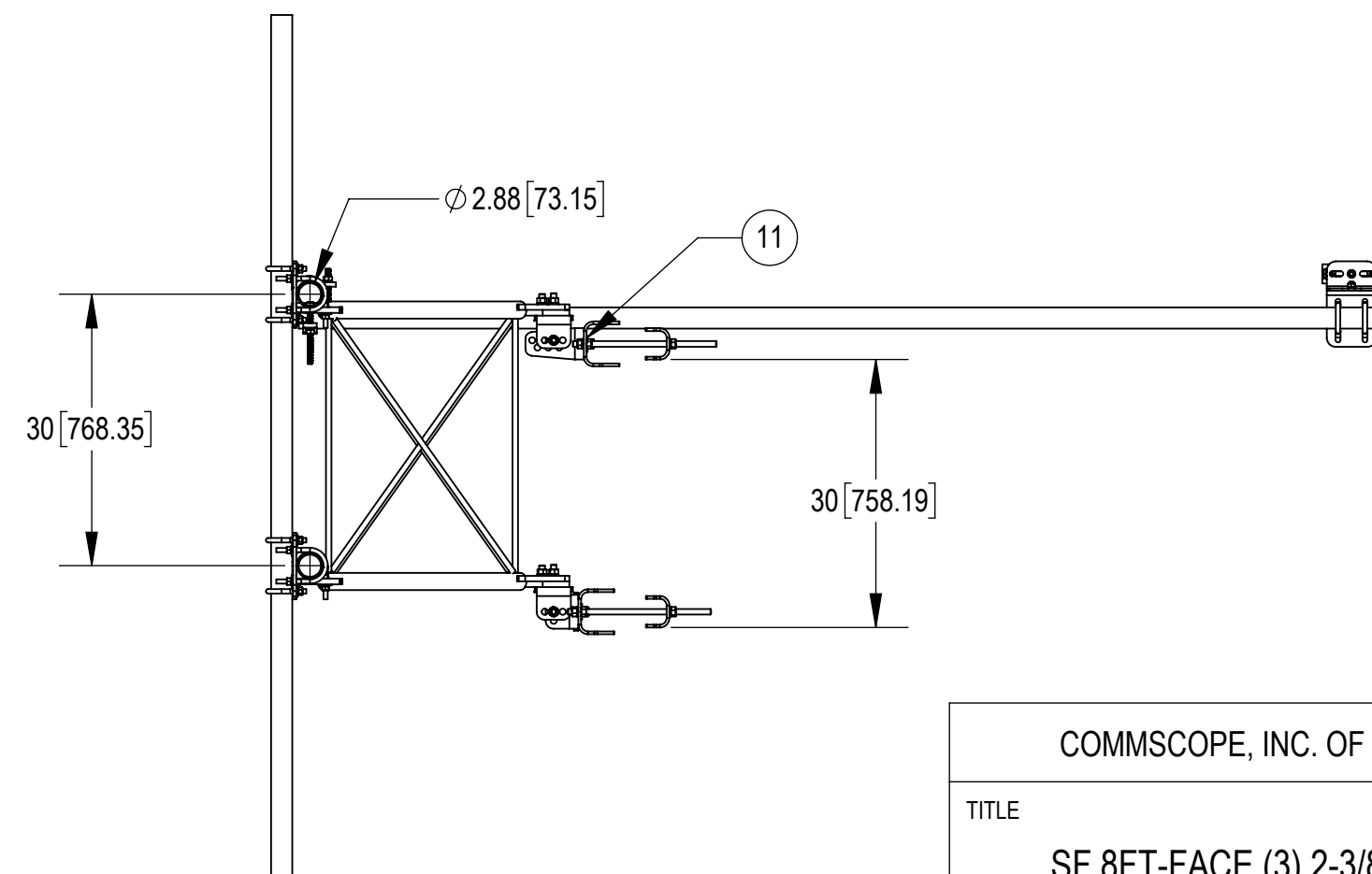
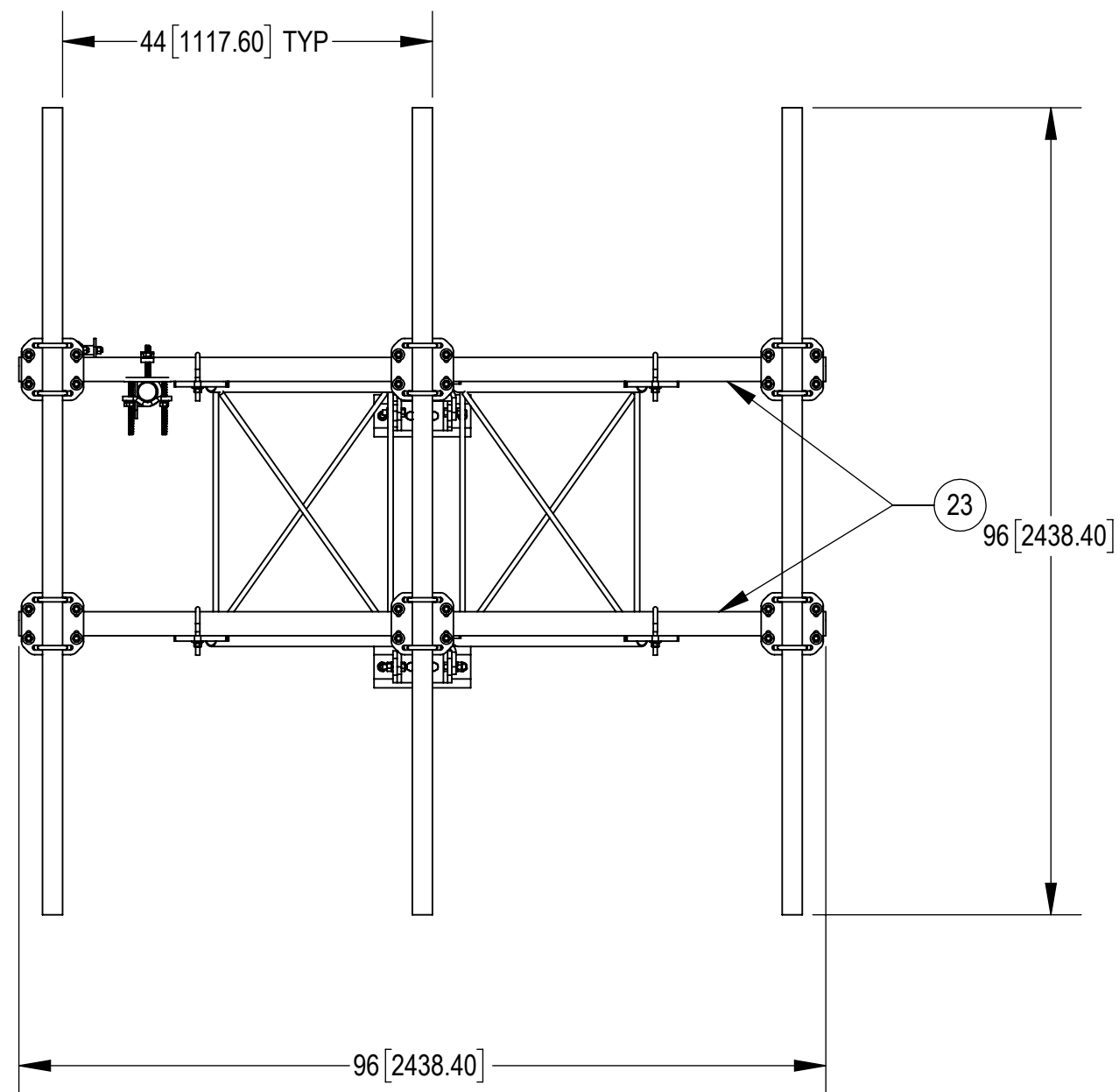
COMPONENT PART NUMBERS PROVIDED FOR ASSEMBLY PURPOSES;
INDIVIDUAL COMPONENTS MAY BE SHIPPED AS PARTS WITHIN AN INCLUDED KIT.

ITEM	PART NO.	DESCRIPTION	QTY.	WEIGHT	NOTE NO.
1	SFV01	WELDMENT, SF-V STANDOFF ARM	2	38.32 LBS	
2	MTC397522	CLAMP, FRONT MOUNTING	2	10.02 LBS	
3	SFV03	SFV TAPER BRACKET	1	7.49 LBS	
4	SFV02	SFV AZIMUTH BRACKET	3	5.91 LBS	
5	MTC397521	CLAMP, BACK	2	6.94 LBS	
6	GB-05225	5/8" X 2-1/4" GALV BOLT KIT	8	0.28 LBS	
7	GB-05305	5/8" X 3" GALV BOLT KIT	4	0.35 LBS	
8	GWL-05	5/8" GALV LOCK WASHER	8	0.03 LBS	
9	GN-05	5/8" GALV HEX NUT	12	0.08 LBS	
10	MT-382-16	5/8" X 16" GALV THREADED ROD	4	1.38 LBS	
11	GWF-05	5/8" GALV FLAT WASHER, 1.7OD	6	0.06 LBS	
12	GUB-4240	1/2" X 2-1/2" X 4" GALV U-BOLT	14	0.56 LBS	
13	XAU01	ANGLE, CROSSOVER, 1.9-3.5" X 1.9-3.5" OD	1	2.98 LBS	
14	SAB02-00	ANGLE, CROSSOVER, 1.9-3.5" X 1.9-3.5" OD	1	3.13 LBS	
15	SAB01	FORMED CLAMP	2	1.35 LBS	
16	MT-379-8	1/2" X 8" GALV THREADED ROD	2	0.44 LBS	
17	GB-04125	1/2" X 1-1/4" GALV BOLT KIT	1	0.12 LBS	
18	GWF-04	1/2" GALV FLAT WASHER	4	0.04 LBS	
19	GWL-04	1/2" GALV LOCK WASHER	4	0.01 LBS	
20	GN-04	1/2" GALV HEX NUT	4	0.04 LBS	
21	XPU01	PLATE, CROSSOVER, 1.9-3.5" X 1.9-3.5" OD	6	4.76 LBS	
22	GUB-4352	1/2" X 3" X 5-1/4" GALV U-BOLT	16	0.71 LBS	
23	MT54696	PIPE, 2.875"OD X 96"	2	45.96 LBS	
24	MT-651-96	2.375" OD X 96" PIPE	3	23.05 LBS	
25	MT-651-120	PIPE, 2.375"OD X 120"	1	29.07 LBS	
26	XP-R	CROSSOVER PLATE, ROUND, UP TO 3.5" OD	1	6.20 LBS	
27	OS15034	3/4" X 1-1/2" OFFSET COLLAR	1	0.14 LBS	
28	GB-04265	1/2" X 2-3/4" GALV BOLT KIT	1	0.20 LBS	

COMMSCOPE, INC. OF NORTH CAROLINA				
TITLE				
SF,8FT-FACE,(3) 2-3/8"X96"ANT-PIPES				
SIZE	SCALE	DOCUMENT NO.		
C	1:12	SFG21HD-8-3-96		
DRAWING		REVISION		SHEET
VERSION	STATUS	REVISION	2 OF 7	
00	IW	A		



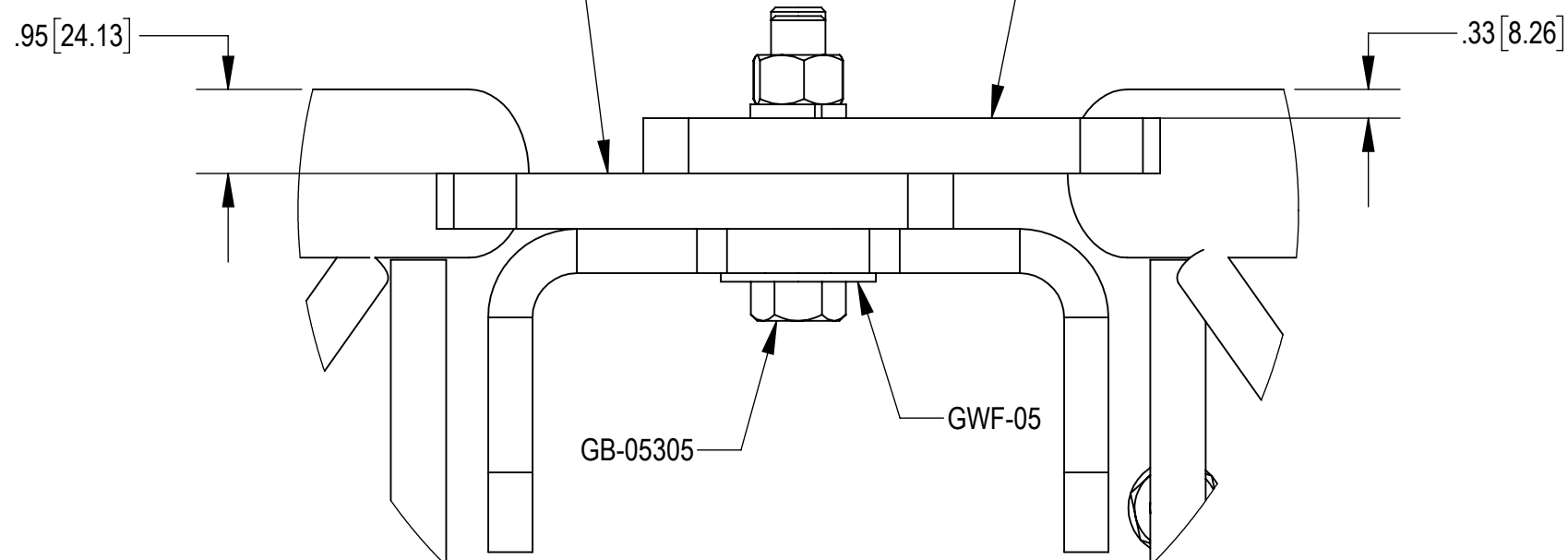
DETAIL B
 SCALE 1 : 4



COMMSCOPE, INC. OF NORTH CAROLINA				
TITLE SF,8FT-FACE,(3) 2-3/8"X96"ANT-PIPES				
SIZE C	SCALE 1:20	DOCUMENT NO. SFG21HD-8-3-96		
		DRAWING		SHEET
		VERSION	STATUS	REVISION
		00	IW	A
				3 OF 7

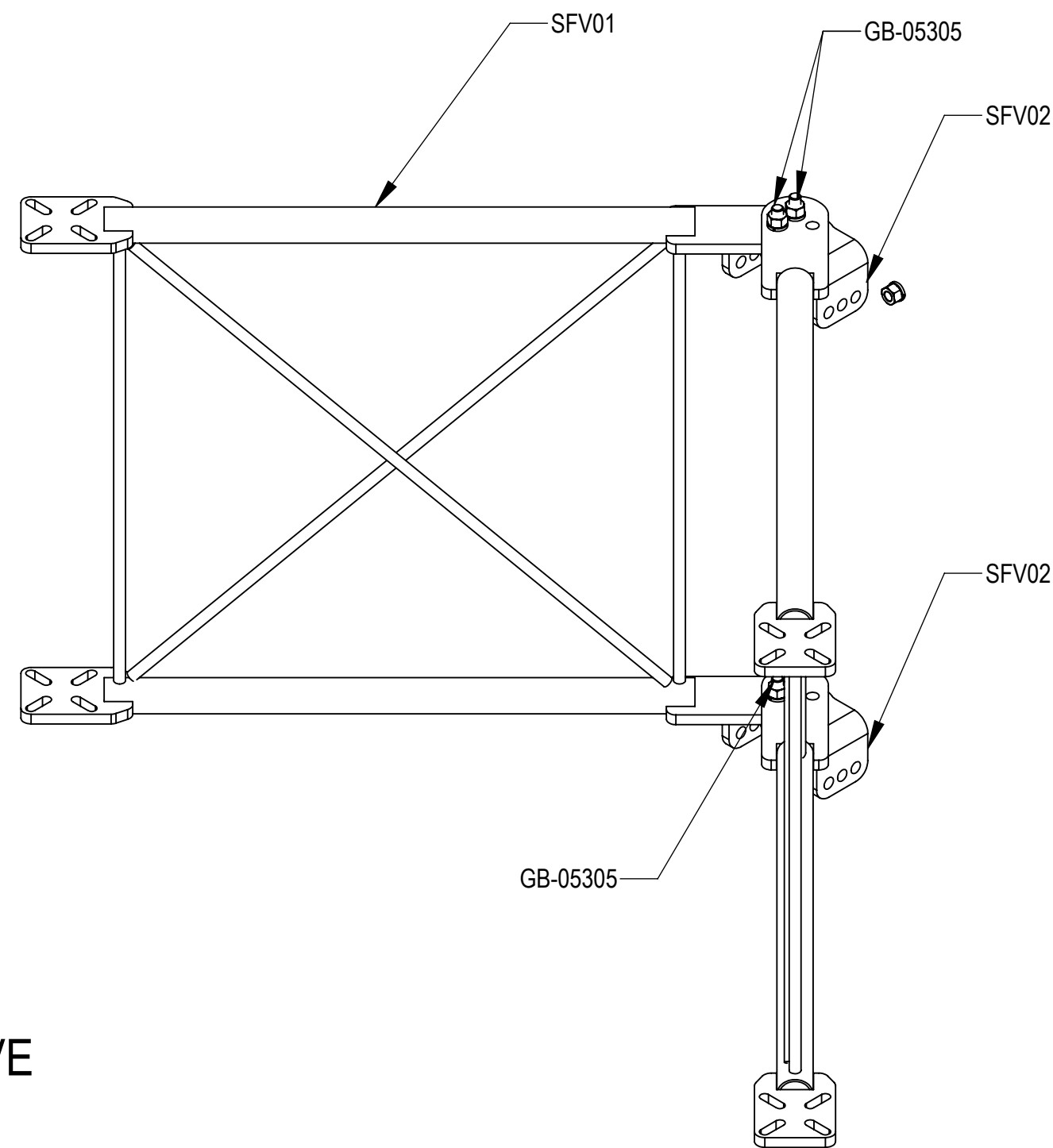
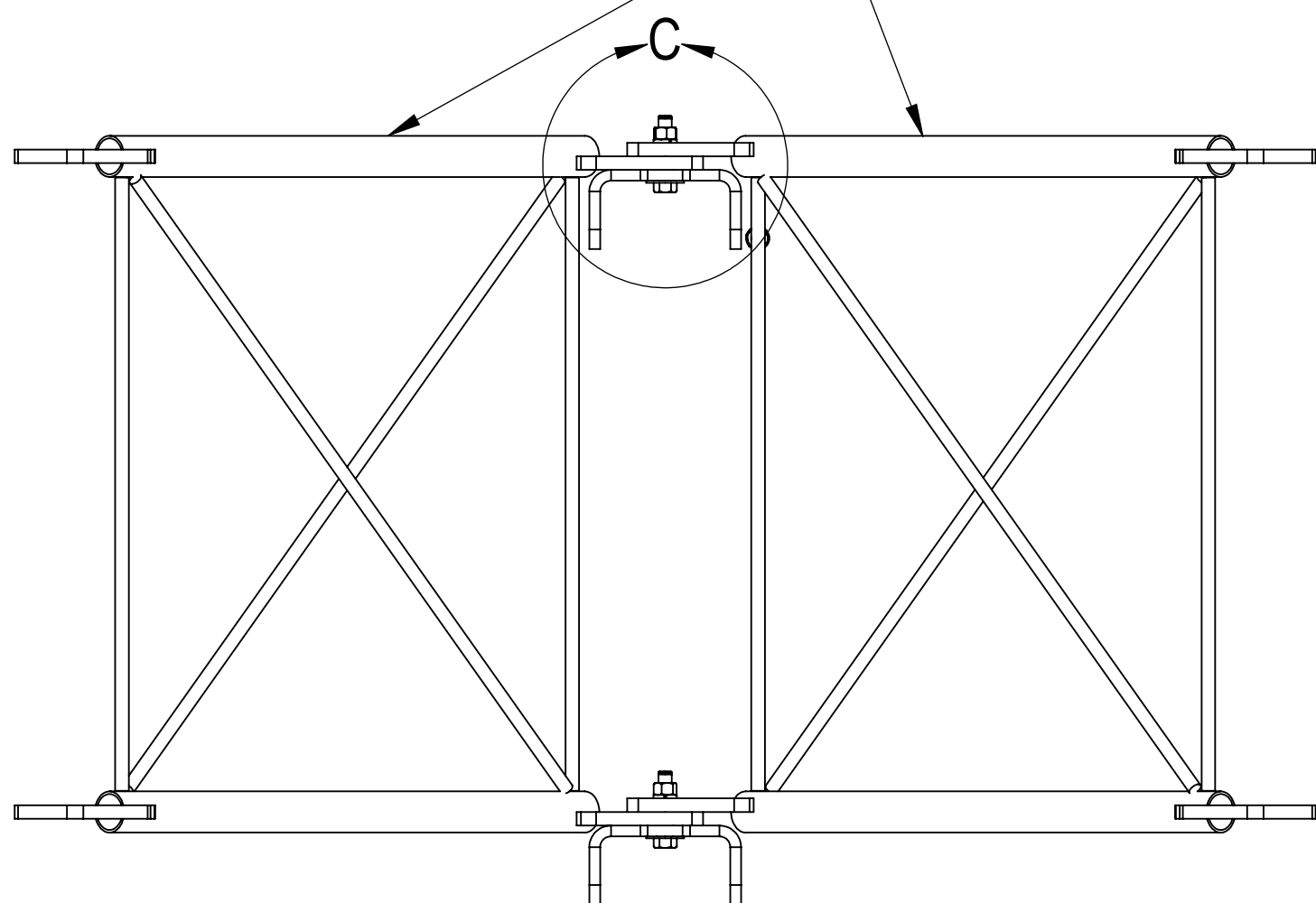
STEP1: ATTACH STANDOFF ARMS (SFV01) TO AZIMUTH BRACKETS (SFV02) USING BOLT KITS (GB-05305) AND FLAT WASHERS (GWF-05)


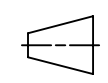
LOWER ARM "UPSIDE DOWN" UPPER ARM "RIGHT SIDE UP"



DETAIL C
SCALE 1 : 2

STANDOFF ARM ORIENTATION IS CRITICAL!
WHEN ASSEMBLED, ARMS SHOULD BE LEVEL
WITH EACH OTHER. ALSO SEE DETAIL C ABOVE



COMMSCOPE, INC. OF NORTH CAROLINA				
TITLE SF,8FT-FACE,(3) 2-3/8"X96"ANT-PIPES				
SIZE C	SCALE 1:8	DOCUMENT NO. SFG21HD-8-3-96		
 		DRAWING		SHEET 4 OF 7
		VERSION 00	STATUS IW	

4

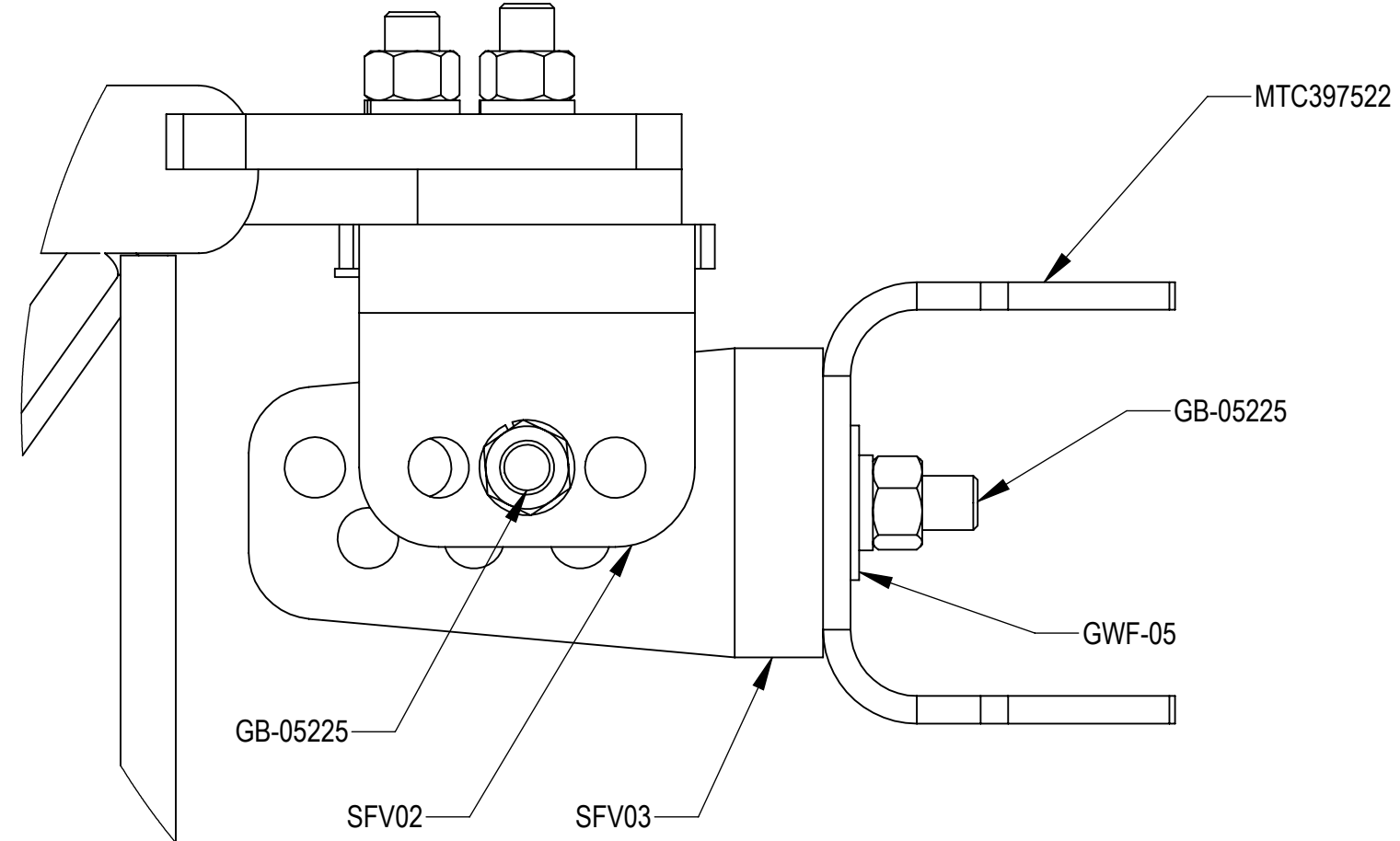
3

2

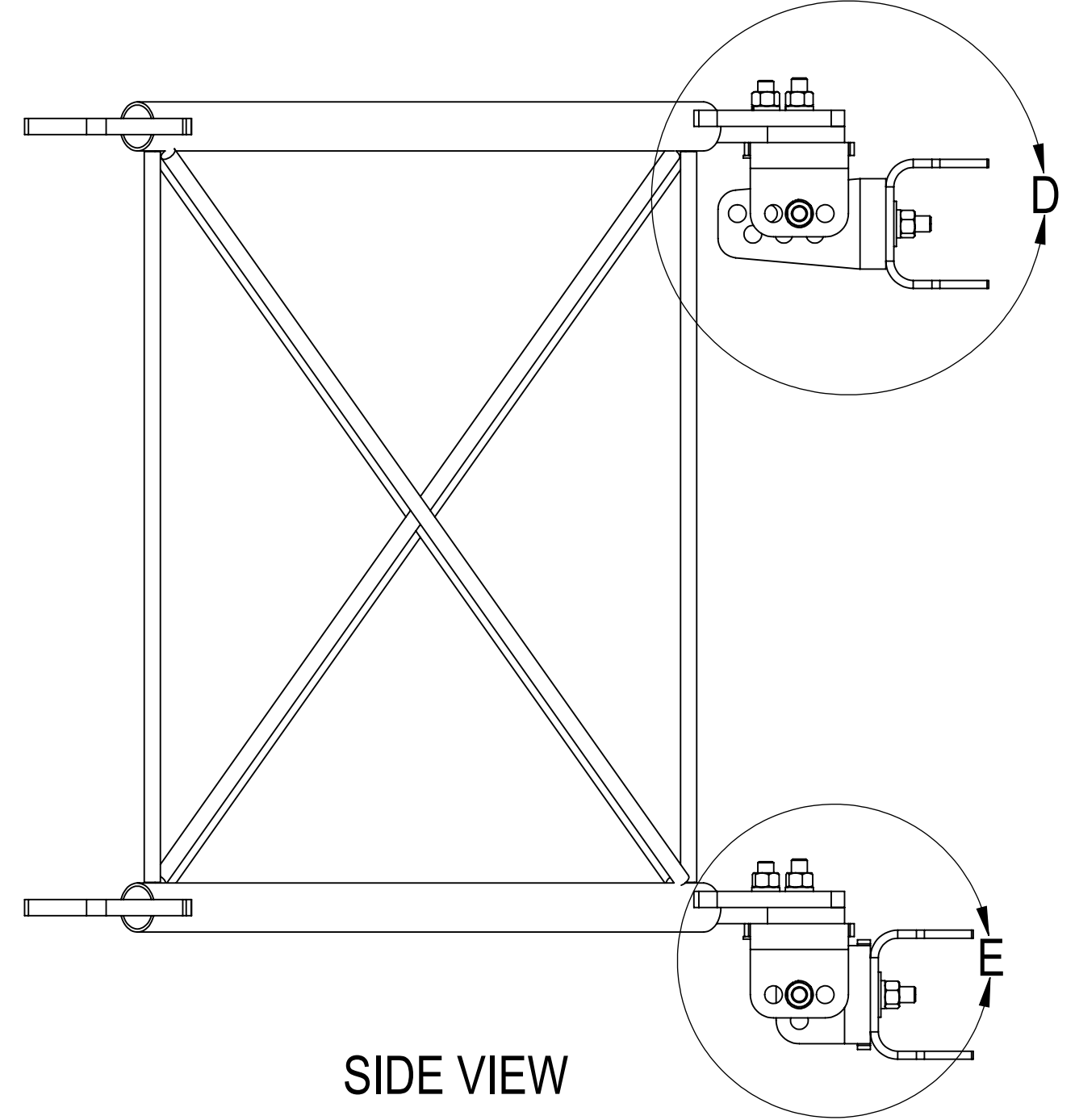
1

STEP 2A: ON TOP, ATTACH TAPER BRACKET (SFV03) TO AZIMUTH BRACKET (SFV02) USING BOLT KITS (GB-05225).
 SEE ISO ROTATED VIEW. ATTACH TAPER BRACKET (SFV03) TO CLAMP, FRONT MTG (MTC397522) USING BOLT KITS (GB-05225) AND
 FLAT WASHERS (GWF-05).

STEP 2B: ON BOTTOM, ATTACH AZIMUTH BRACKET (SFV02) TO AZIMUTH BRACKET (SFV02) USING BOLT KITS (GB-05225).
 ATTACH AZIMUTH BRACKET (SFV02) TO CLAMP, FRONT MTG (MTC397522) USING BOLT KITS(GB-05225)
 AND FLAT WASHERS (GWF-05).

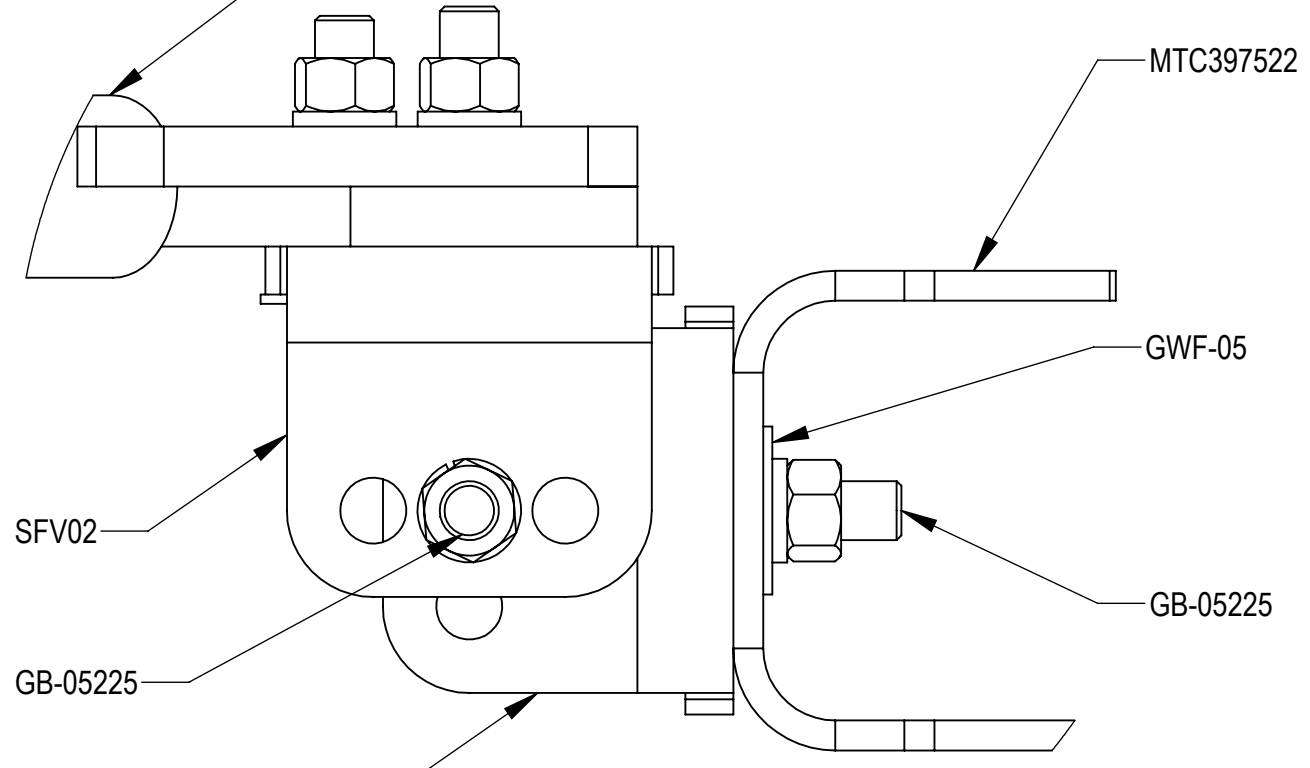


DETAIL D
 SCALE 1 : 2

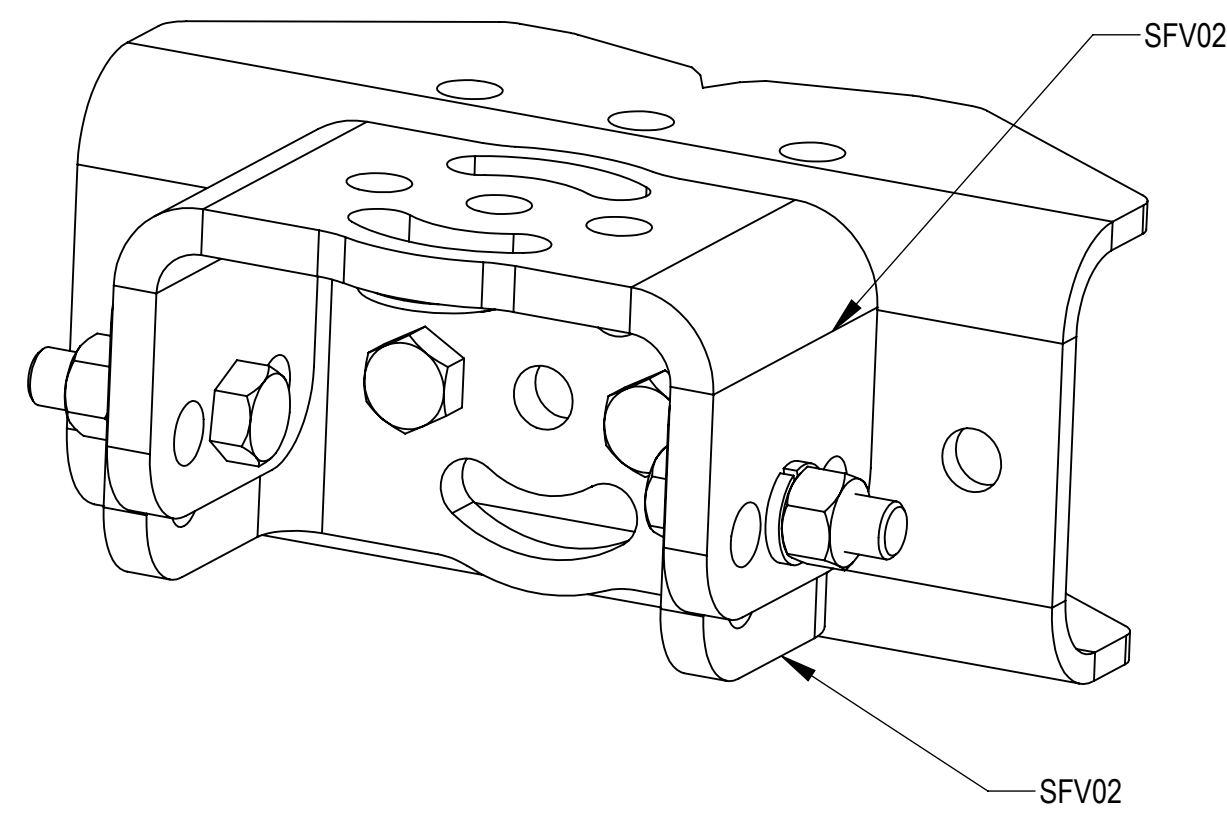


SIDE VIEW

STANDOFF ARM ORIENTATION
 IS CRITICAL! WHEN ASSEMBLED,
 PIPES SHOULD BE LEVEL



DETAIL E
 SCALE 1 : 2



ISO ROTATED VIEW

COMMSCOPE, INC. OF NORTH CAROLINA				
TITLE SF,8FT-FACE,(3) 2-3/8"X96"ANT-PIPES				
SIZE C	SCALE 1:4	DOCUMENT NO. SFG21HD-8-3-96		
		DRAWING		SHEET
		VERSION	STATUS	REVISION
		00	IW	A
				5 OF 7

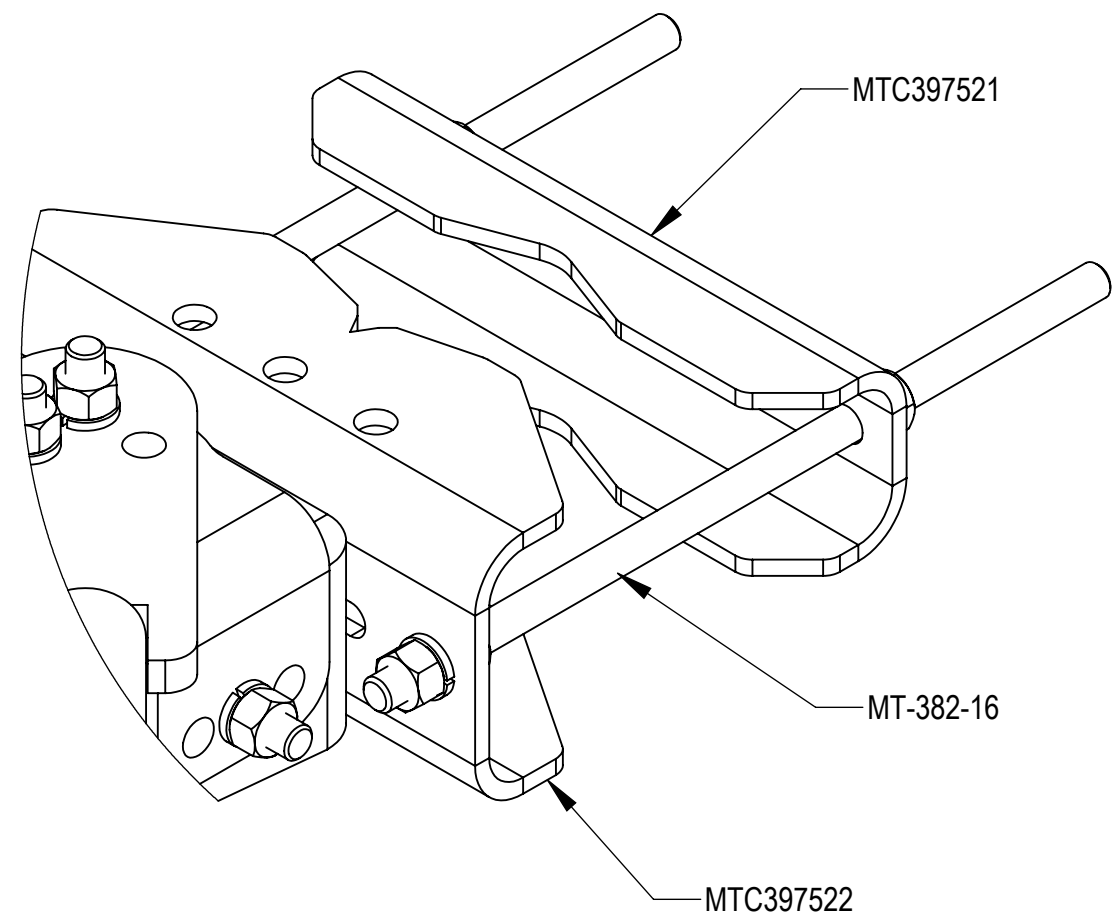
4

3

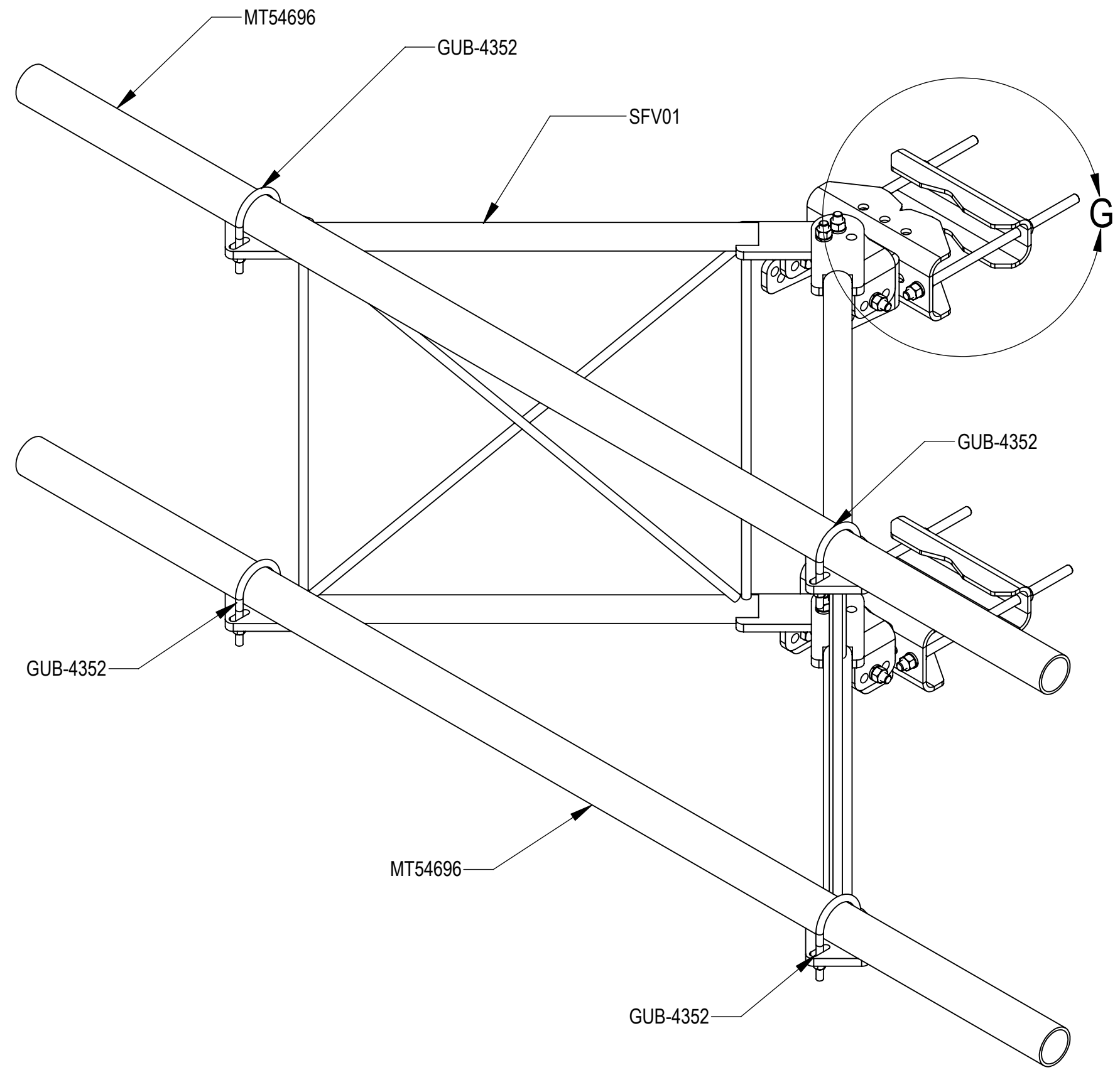
2

1

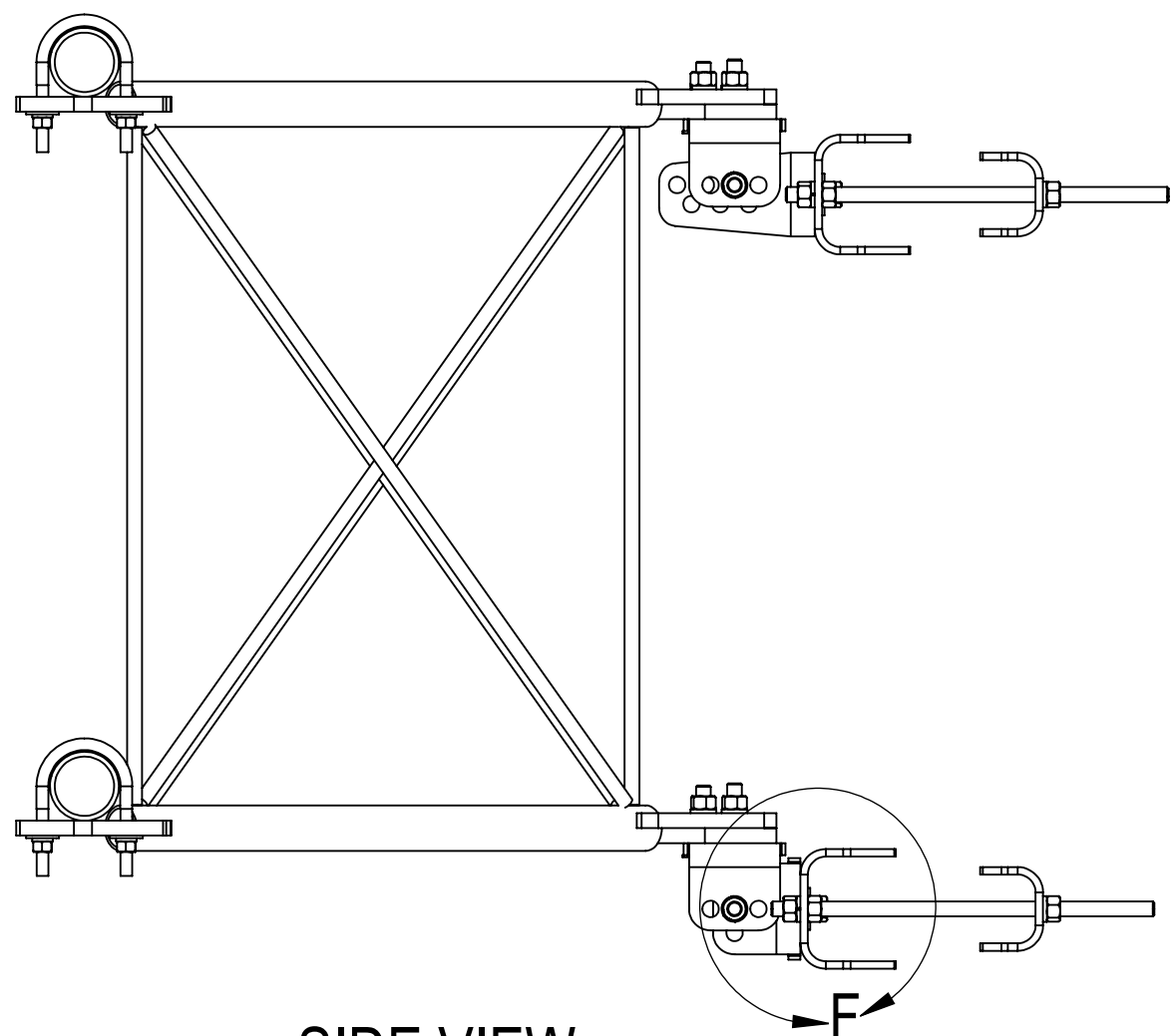
STEP 3: ATTACH FACE PIPES(MT54696) TO STANDOFF ARMS (SFV01) USING U-BOLTS (GUB-4352).



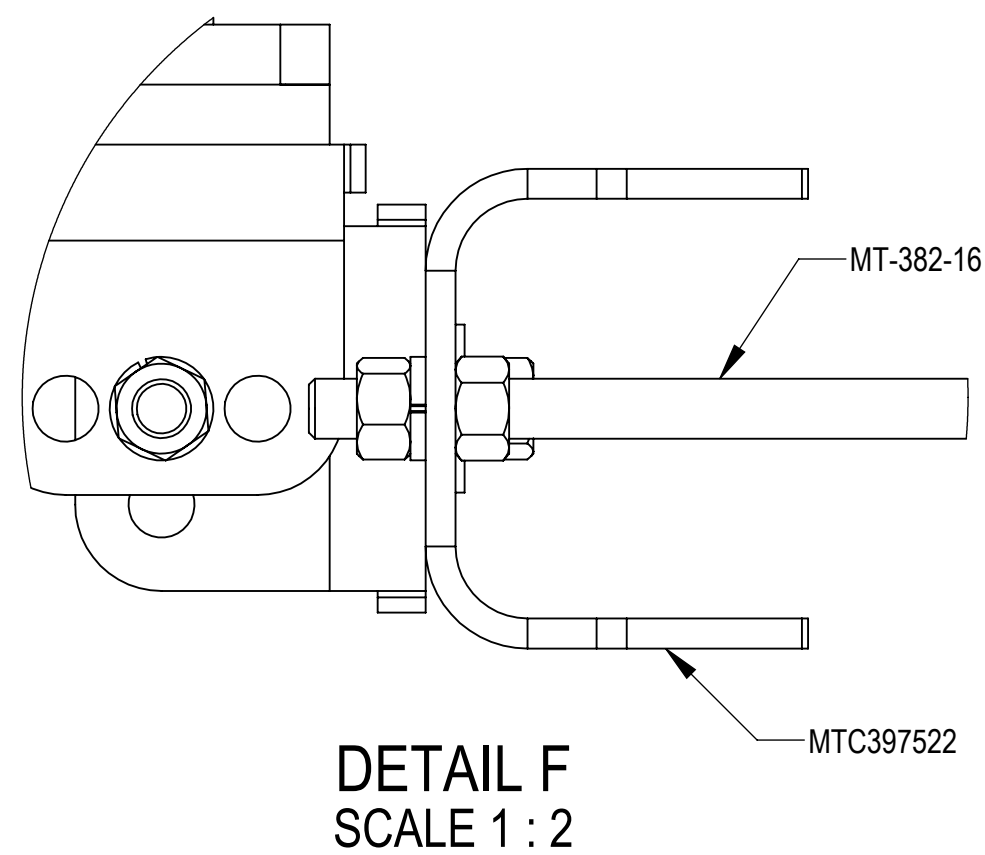
DETAIL G
SCALE 1 : 3



ISO VIEW



SIDE VIEW



DETAIL F
SCALE 1 : 2

COMMSCOPE, INC. OF NORTH CAROLINA					
TITLE SF,8FT-FACE,(3) 2-3/8"X96"ANT-PIPES					
SIZE C	SCALE 1:8	DOCUMENT NO. SFG21HD-8-3-96			
		DRAWING			SHEET 6 OF 7
		VERSION 00	STATUS IW	REVISION A	

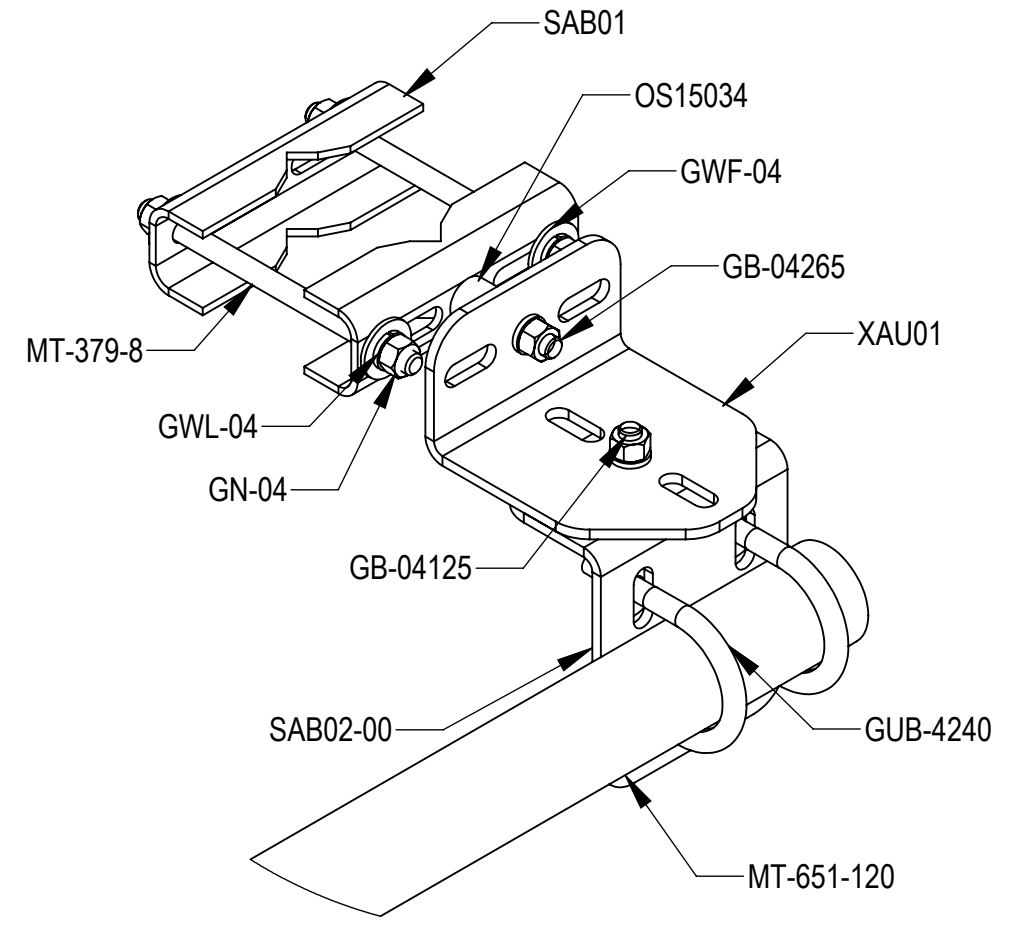
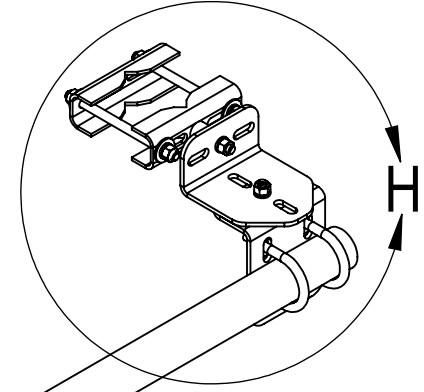
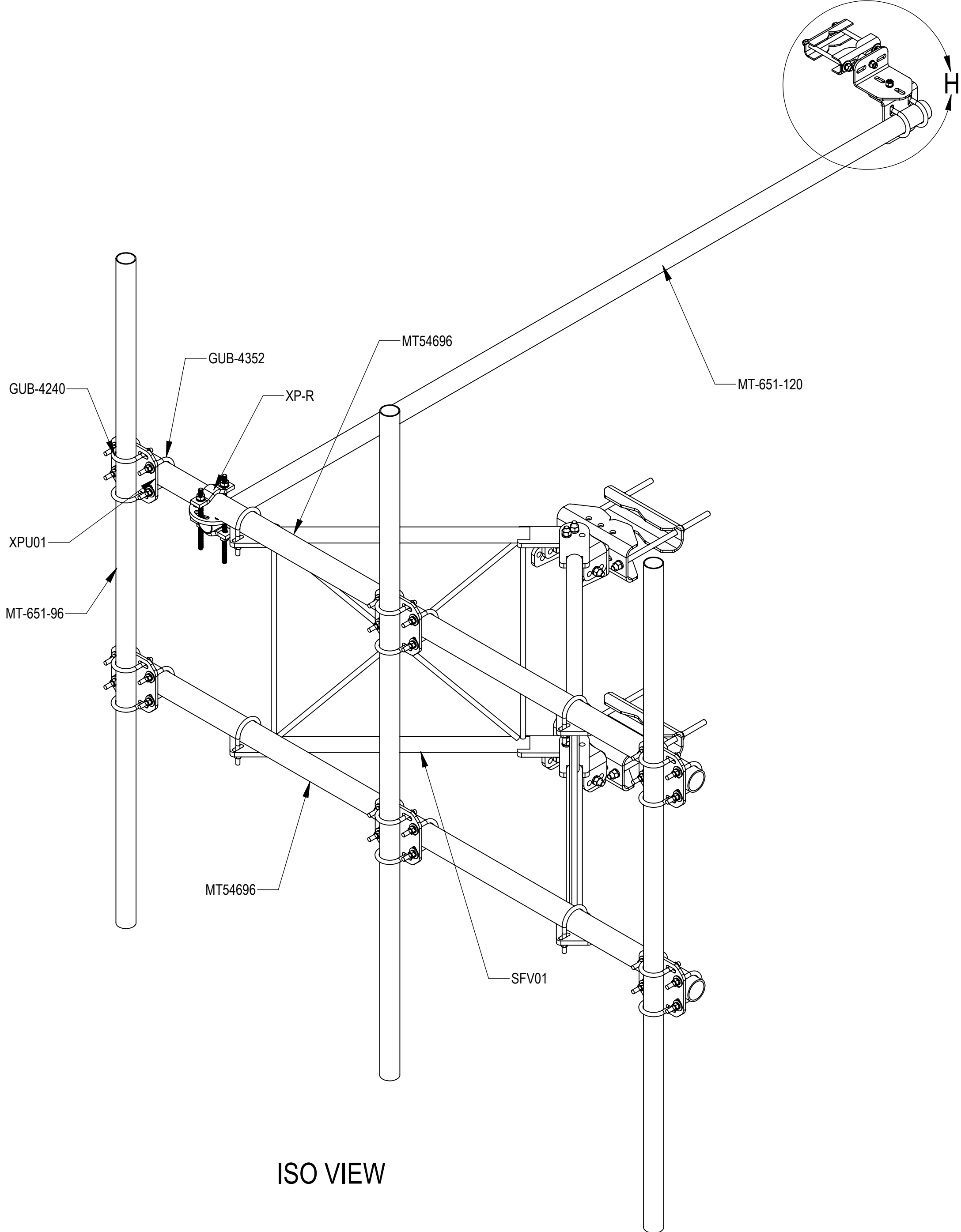
4

3

2

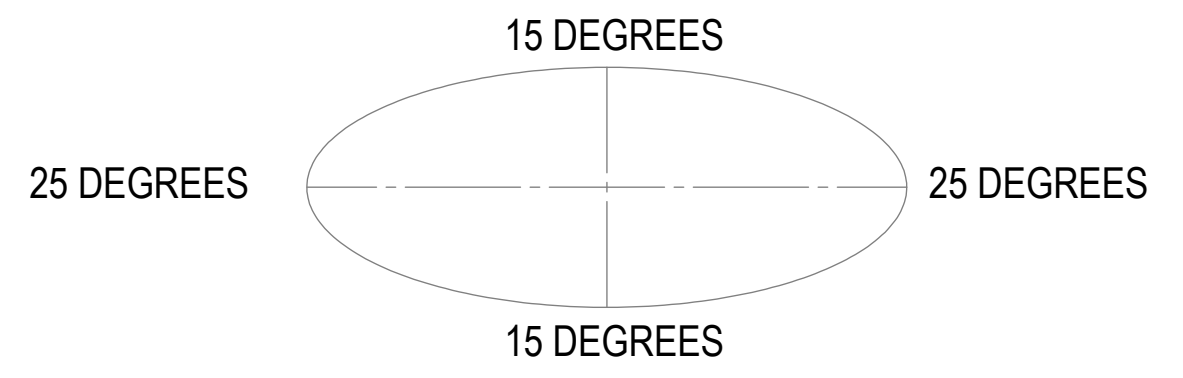
1

STEP 4: ATTACH ANTENNA PIPES(MT-651-96) TO FACE PIPES(MT54696) USING CROSSOVER PLATES (XPU01) AND U-BOLTS(GUB-4352 AND GUB4240)
ATTACH TIE BACK PIPE (MT-651-120) TO FACE PIPE (MT54696) USING ROUND CROSSOVER PLATE KIT(XP-R).



DETAIL H
SCALE 1 : 4

ALLOWABLE TIEBACK ANGLE
± 15 DEGREES VERTICAL
± 25 DEGREES HORIZONTAL



COMMSCOPE, INC. OF NORTH CAROLINA				
TITLE SF,8FT-FACE,(3) 2-3/8"X96"ANT-PIPES				
SIZE C	SCALE 1:10	DOCUMENT NO. SFG21HD-8-3-96		
		DRAWING		SHEET 7 OF 7
		VERSION 00	STATUS IW	

4

3

2

1