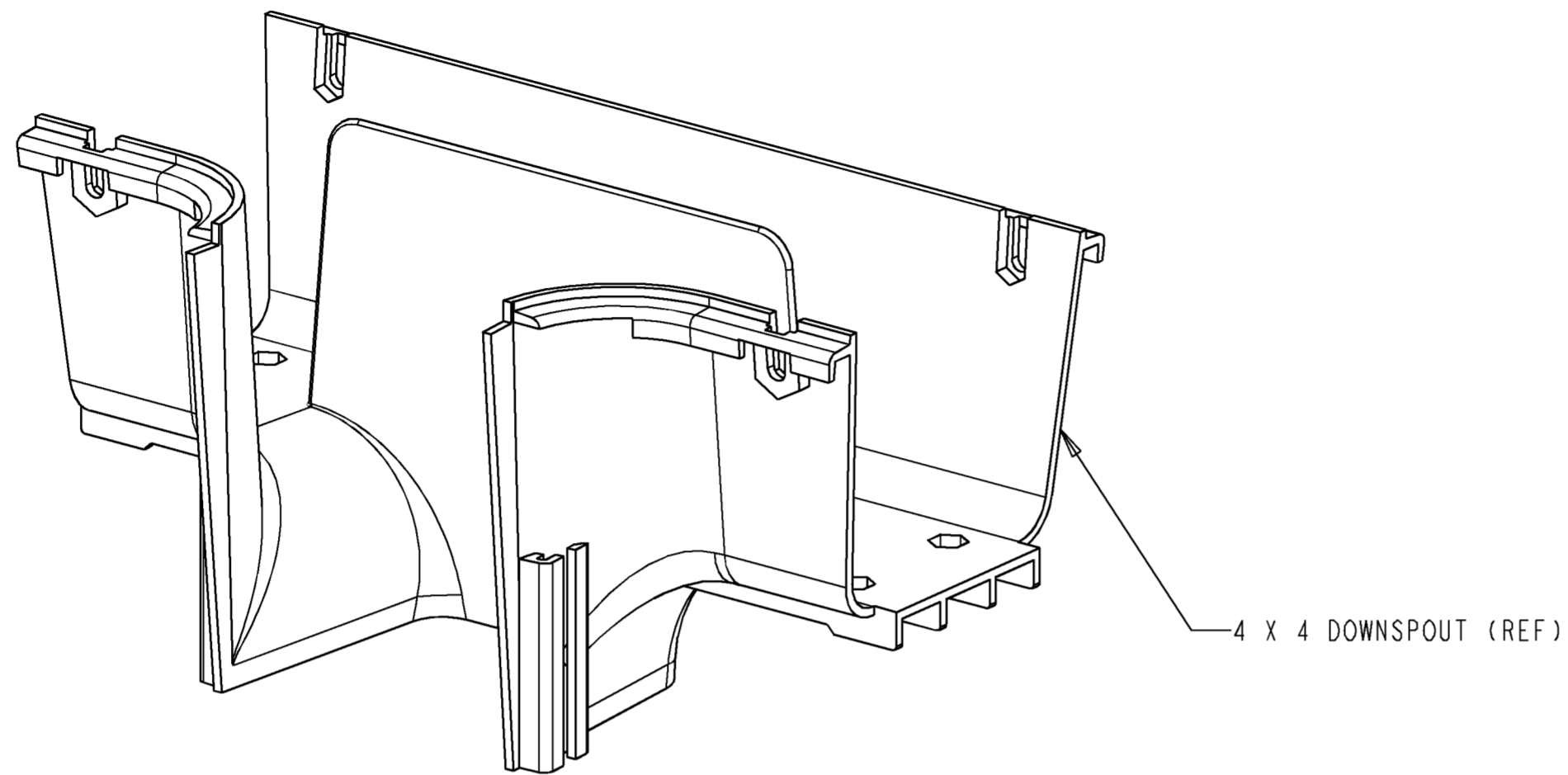
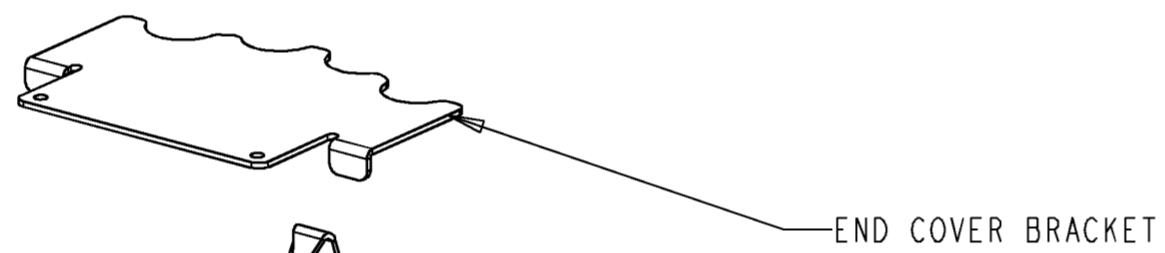


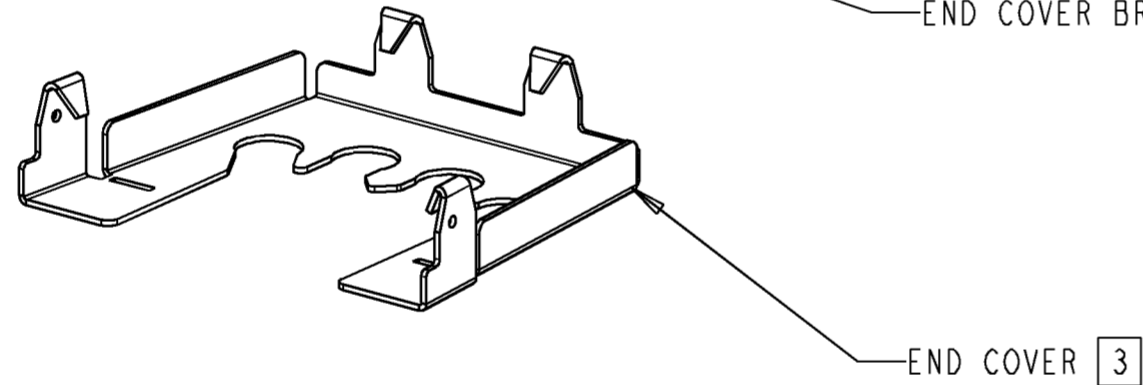
REV	MCO	DWN	DATE
F	20275532	GCC	22-OCT-09
G	20296097	EEG	04-NOV-10



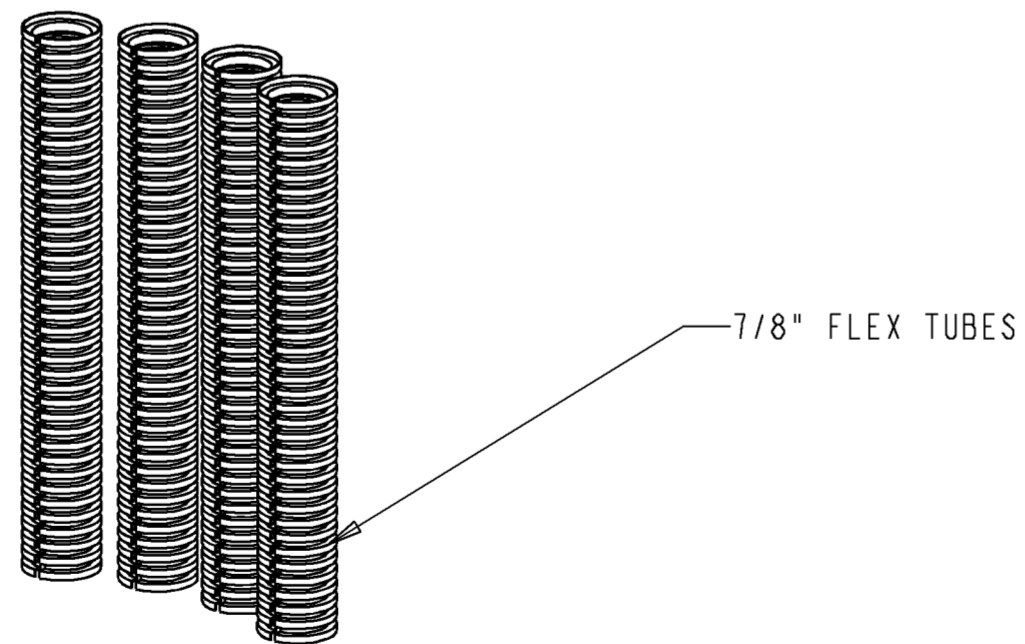
4 X 4 DOWNSPOUT (REF)



END COVER BRACKET



END COVER [3]



7/8" FLEX TUBES

**NOTES:**

- ITEMS INCLUDED IN KIT ARE:
  - (1) 4" X 4 7/8" END COVER
  - (4) (SEE TAB) FLEX HOSES
  - (4) FLEX HOSE CLAMPS
  - (8) 6-32 X 3/8 PH SCREWS
  - (8) 6-32 HEX NUTS
  - (8) STAR LOCK WASHERS
  - (1) END COVER BRACKET
- KIT MAY BE USED ON STRAIGHT SECTIONS OR FITTINGS.

<b>FGSB-KT07-A4-15F</b>	15 FT	BLACK
<b>FGSB-KT07-A4-10F</b>	10 FT	BLACK
<b>FGS-KT07-A4-10F</b>	10 FT	YELLOW
<b>FGS-KT07-A4-15F</b>	15 FT	YELLOW
<b>FGS0-KT07-A4-5F</b>	5 FT	ORANGE
<b>FGS-KT07-A4-5F</b>	5 FT	YELLOW
<b>FGSB-KT07-A4-5F</b>	5 FT	BLACK
<b>CATALOG NO.</b>	<b>HOSE LENGTH</b>	<b>COLOR</b>



INFORMATION ON THIS DOCUMENT IS PROPRIETARY TO ADC AND SHALL NOT BE USED, COPIED, REPRODUCED OR DISCLOSED IN WHOLE OR IN PART WITHOUT WRITTEN CONSENT OF ADC.

ALL DIMS AND TOLERANCES ARE INCHES UNLESS OTHERWISE SPECIFIED  
 .XX:±.02  
 .XXX:±.010  
 ANGULAR:±2

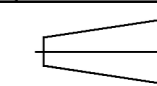
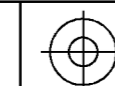
DO NOT SCALE DRAWING

TITLE  
 4x4 4 7/8" HOSE ADAPTER KIT

DRAWING NUMBER  
 1158701

ENGR: D. DERKS  
 DWN: P. KELTGEN

SHT. 1 OF 1



**DIMENSIONS IN INCHES  
 THIRD ANGLE PROJECTION**