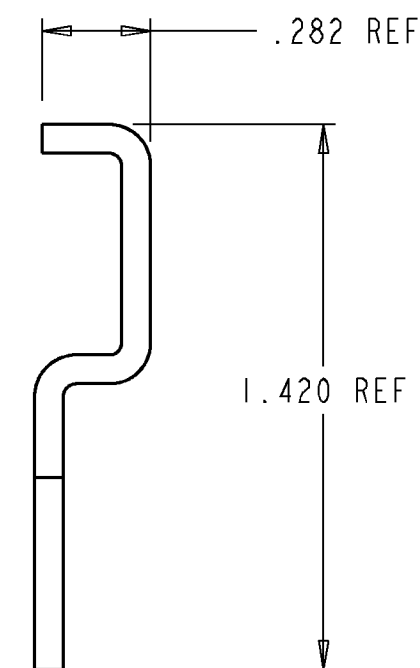
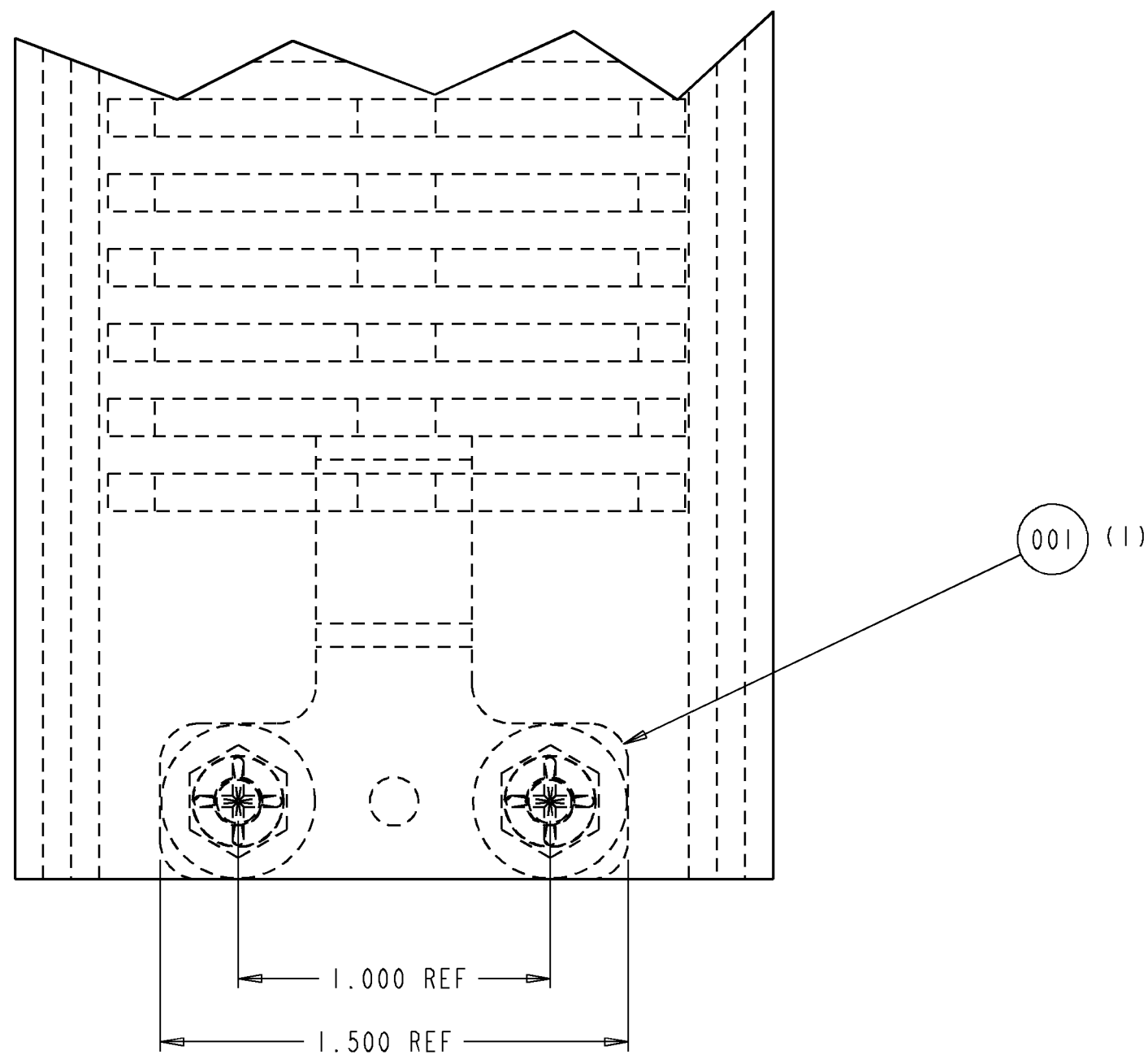
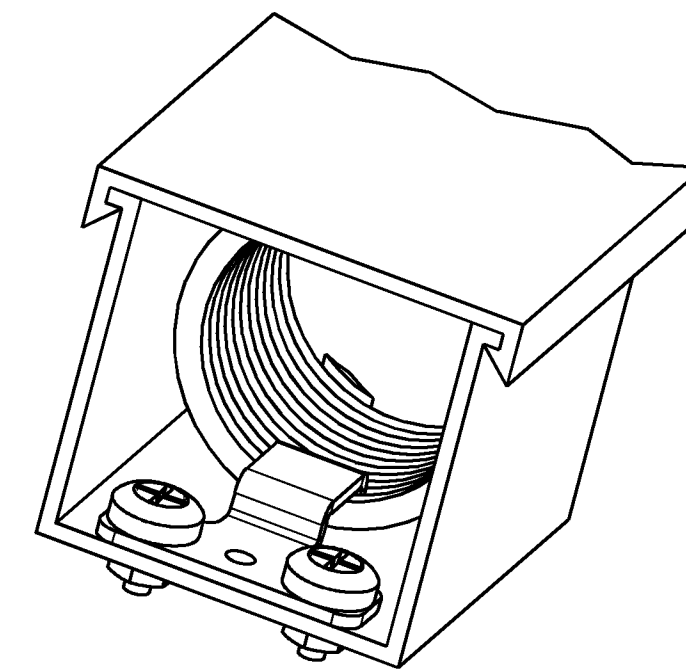
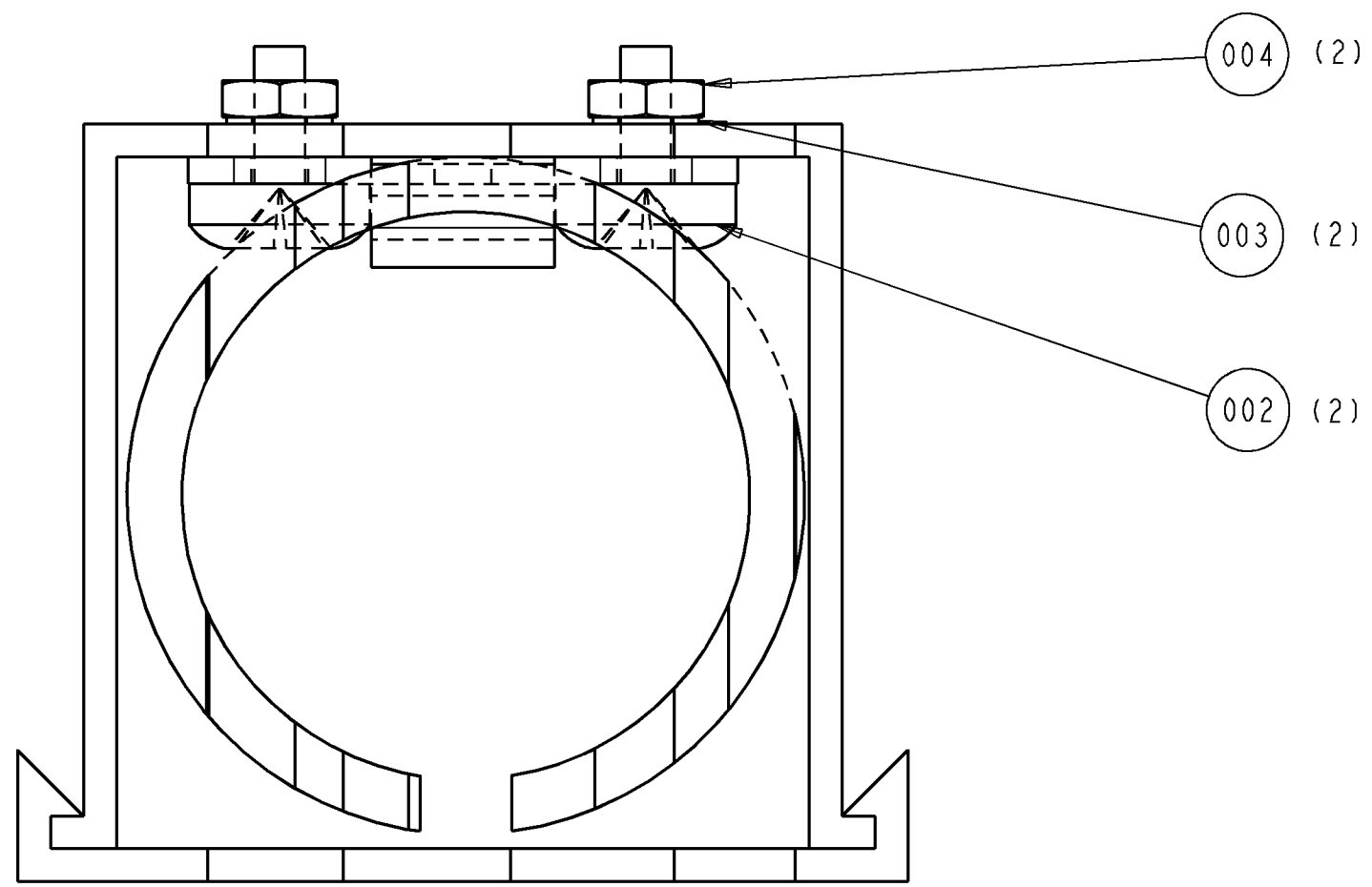


REV	MCO	DWN	DATE
A	20150551	DPL	14-MAY-04



NOTES:

- F/N'S 001, 002, 003 AND 004 ARE INCLUDED IN KIT, (4-29000-2220).



INFORMATION ON THIS DOCUMENT IS PROPRIETARY TO ADC AND SHALL NOT BE USED, COPIED, REPRODUCED OR DISCLOSED IN WHOLE OR IN PART WITHOUT WRITTEN CONSENT OF ADC.		TITLE FIBERGUIDES HOSE END CLAMP KIT INSTALLATION DRAWING	
ALL DIMS AND TOLERANCES ARE INCHES UNLESS OTHERWISE SPECIFIED	.XX:±N/A .XXX:±N/A ANGULAR:±N/A	C SIZE	DRAWING NUMBER 1293465
DO NOT SCALE DRAWING	ENGR: MATT FERRIS DWN: DAREN LUNDIN	SHT. 1 OF 1	

DIMENSIONS IN INCHES
THIRD ANGLE PROJECTION