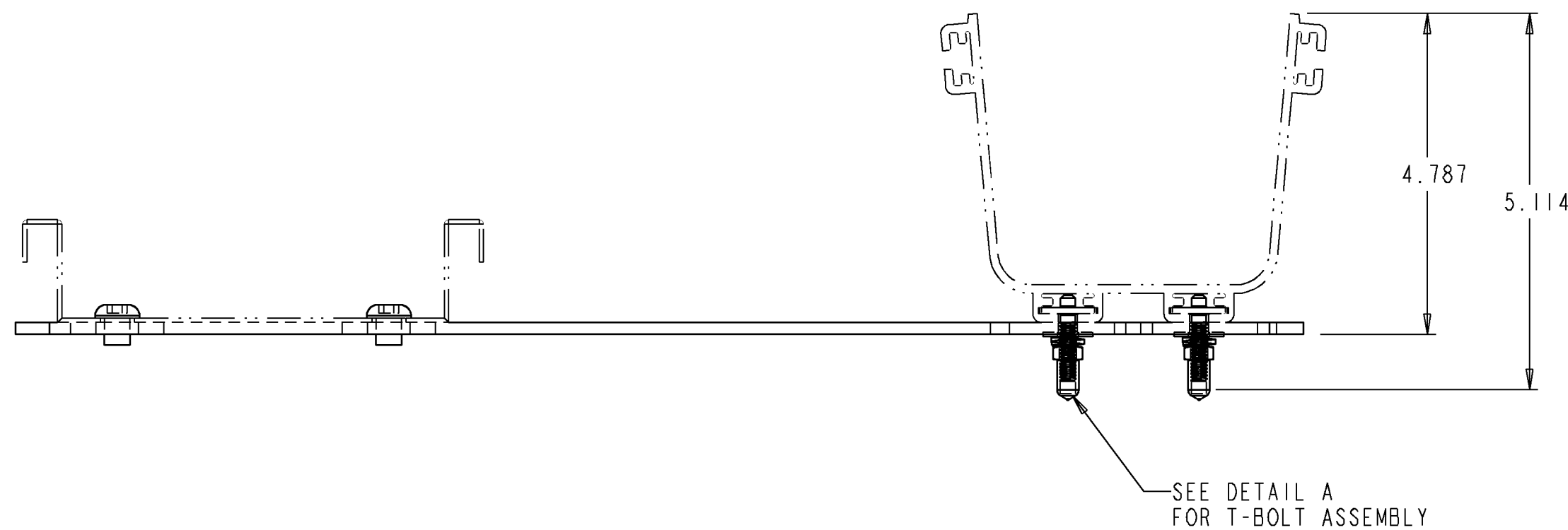
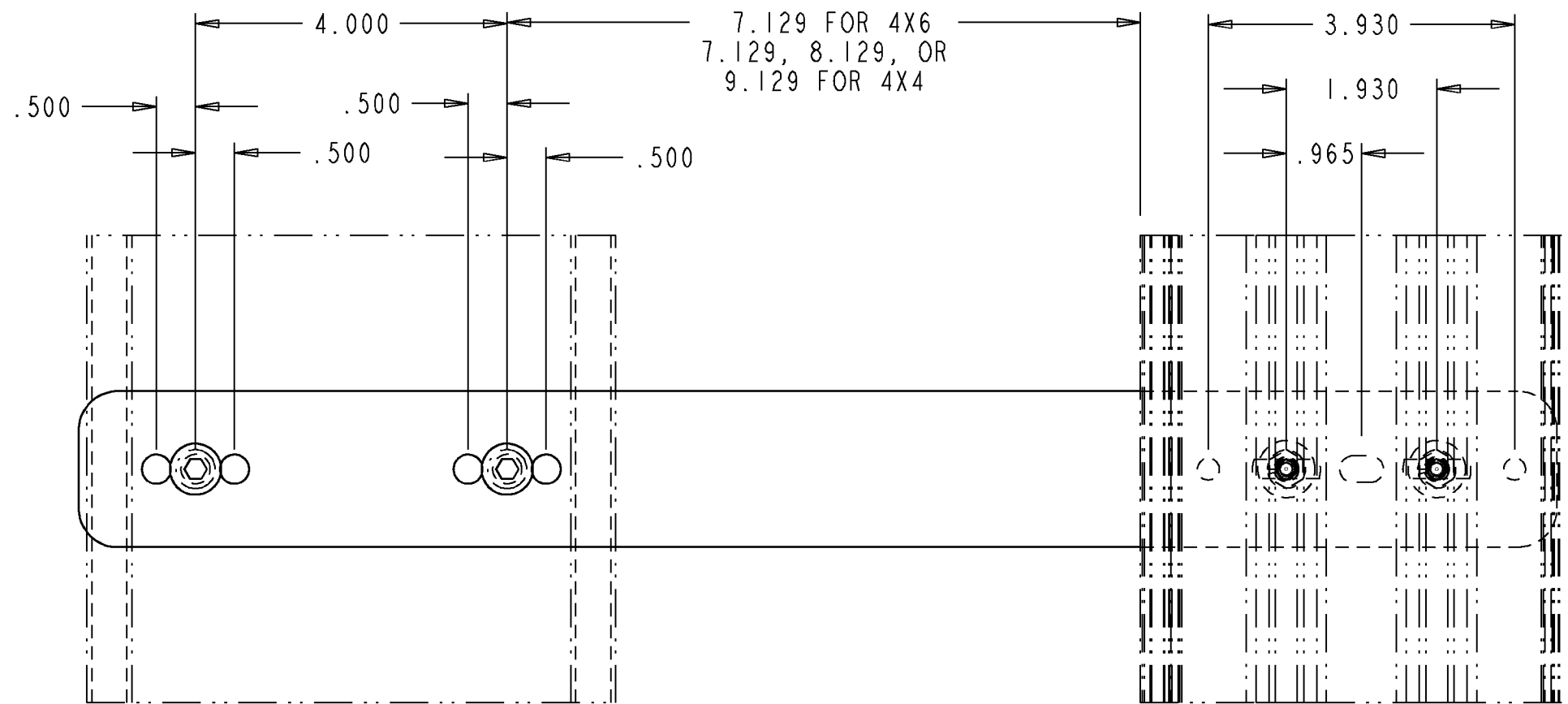


REV	MCO	DWN	DATE
A	20268205	JCR	02-JUL-09

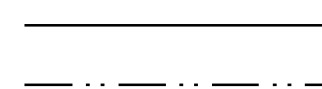


NOTE:

1. REMOVE THRED CAP, SECURE T-BOLT, REPLACE THRED CAP.
2. SEE DETAIL B FOR JUNCTION MOUNTING OPTION. USE 1/4 INCH SCREWS INCLUDED WITH KIT.

LIST OF PART IN KIT		
ITEM	DESCRIPTION	QTY
001	BRACKET, 15"	1
002	S10671-02 3/8-16, .375	2
003	HDW-101117: FGS RETAINING WASHER PASSIV	2
004	T-BOLT, 1/4-20X1.00	2
005	25P VINYL .225X.5 BLK	2
006	FGS-ACC052: *NUT, HEX .25-20 POU	2
007	FGS-ACC028: LOCKWASHER - EXTRUSION KIT	2
008	HDW-100899: WASHER FLAT 25 TYPE B RG	2
015	HDW-12020: SCREW, 1/4-20X.75, HEX/TORX	2

KEY

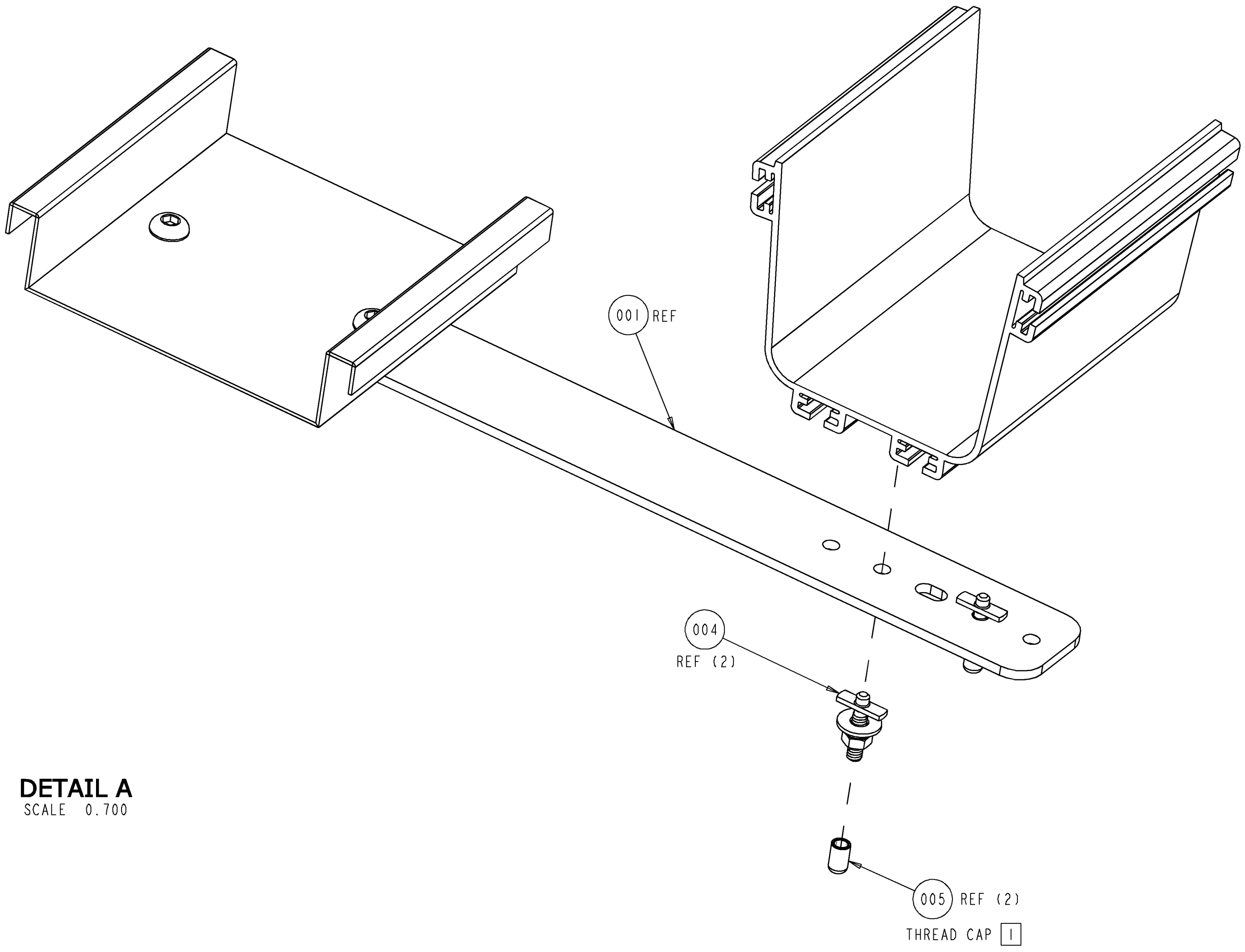


CATALOG NUMBER: FGS-HCBL-15



INFORMATION ON THIS DOCUMENT IS PROPRIETARY TO ADC AND SHALL NOT BE USED, COPIED, REPRODUCED OR DISCLOSED IN WHOLE OR IN PART WITHOUT WRITTEN CONSENT OF ADC.		TITLE CABLE WAY BRACKET	
ALL DIMS AND TOLERANCES ARE INCHES UNLESS OTHERWISE SPECIFIED	.XX:±N/A .XXX:±N/A ANGULAR:±N/A	C SIZE	DRAWING NUMBER 1662709
DO NOT SCALE DRAWING	ENGR: DEREK SAYRES DWN: JAVIER CALLEJA	SHT. 1 OF 3	

**DIMENSIONS IN INCHES
THIRD ANGLE PROJECTION**



DETAIL A
SCALE 0.700

CATALOG NUMBER: FGS-HCBL-15



INFORMATION ON THIS DOCUMENT IS PROPRIETARY TO ADC AND SHALL NOT BE USED, COPIED, REPRODUCED OR DISCLOSED IN WHOLE OR IN PART WITHOUT WRITTEN CONSENT OF ADC.

TITLE
CABLE WAY BRACKET

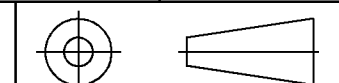
ALL DIMS AND TOLERANCES ARE INCHES UNLESS OTHERWISE SPECIFIED

SIZE	C	DRAWING NUMBER	1662709	A
REV				

DO NOT SCALE DRAWING

ENGR: DEREK SAYRES
DWN: JAVIER CALLEJA

SHT. 2 OF 3



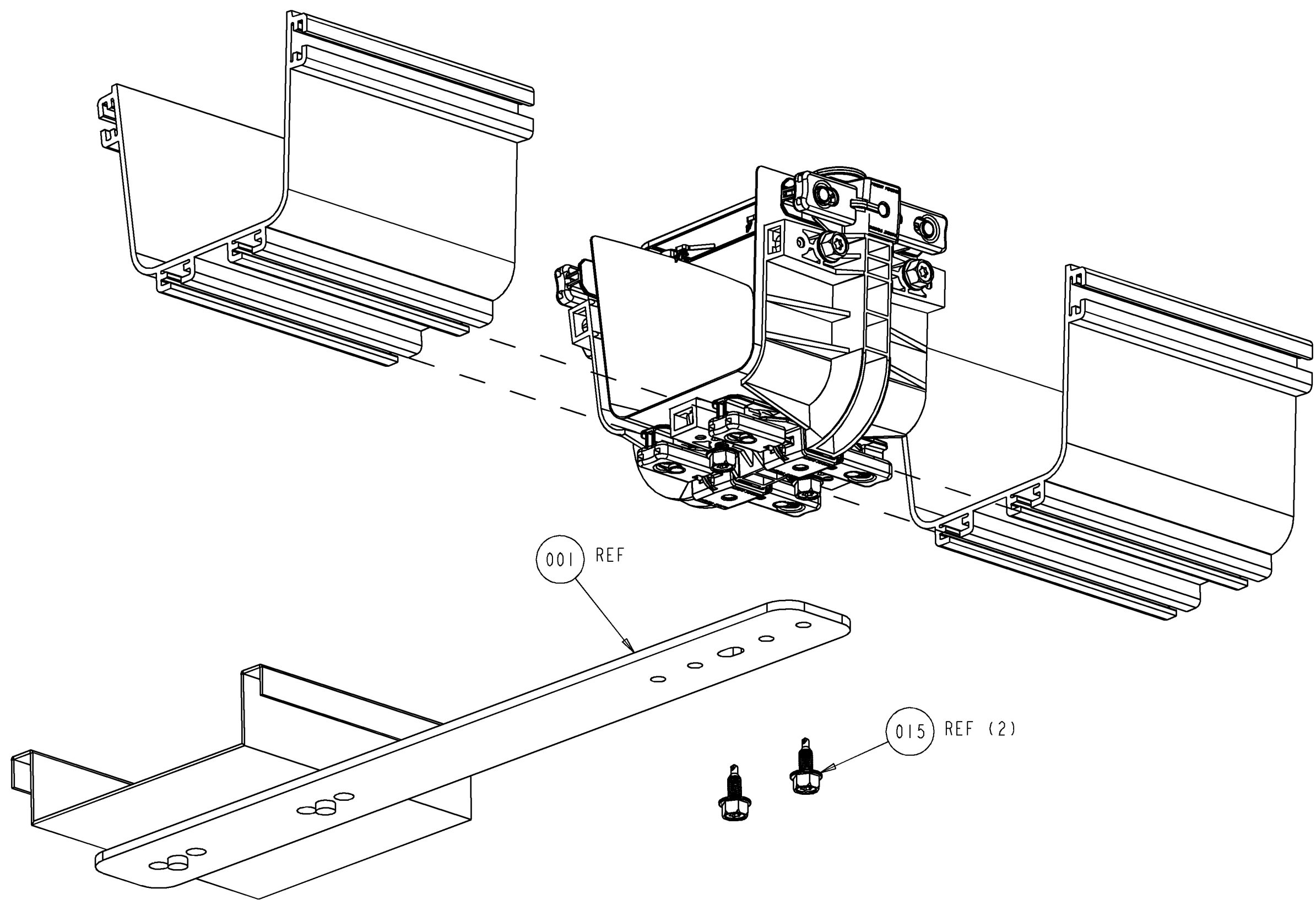
**DIMENSIONS IN INCHES
THIRD ANGLE PROJECTION**

A

B

C

D

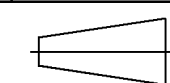


DETAIL B
JUNCTION MOUNT OPTION

CATALOG NUMBER: FGS-HCBL-15



INFORMATION ON THIS DOCUMENT IS PROPRIETARY TO ADC AND SHALL NOT BE USED, COPIED, REPRODUCED OR DISCLOSED IN WHOLE OR IN PART WITHOUT WRITTEN CONSENT OF ADC.		TITLE CABLE WAY BRACKET	
ALL DIMS AND TOLERANCES ARE INCHES UNLESS OTHERWISE SPECIFIED	.XX:±N/A .XXX:±N/A ANGULAR:±N/A	C SIZE	DRAWING NUMBER 1662709
DO NOT SCALE DRAWING	ENGR: DOUG HASSINGER DWN: JON SWANSON	SHT. 3 OF 3	



**DIMENSIONS IN INCHES
THIRD ANGLE PROJECTION**

A

B

C

1

2

3

4

1

2

3

4