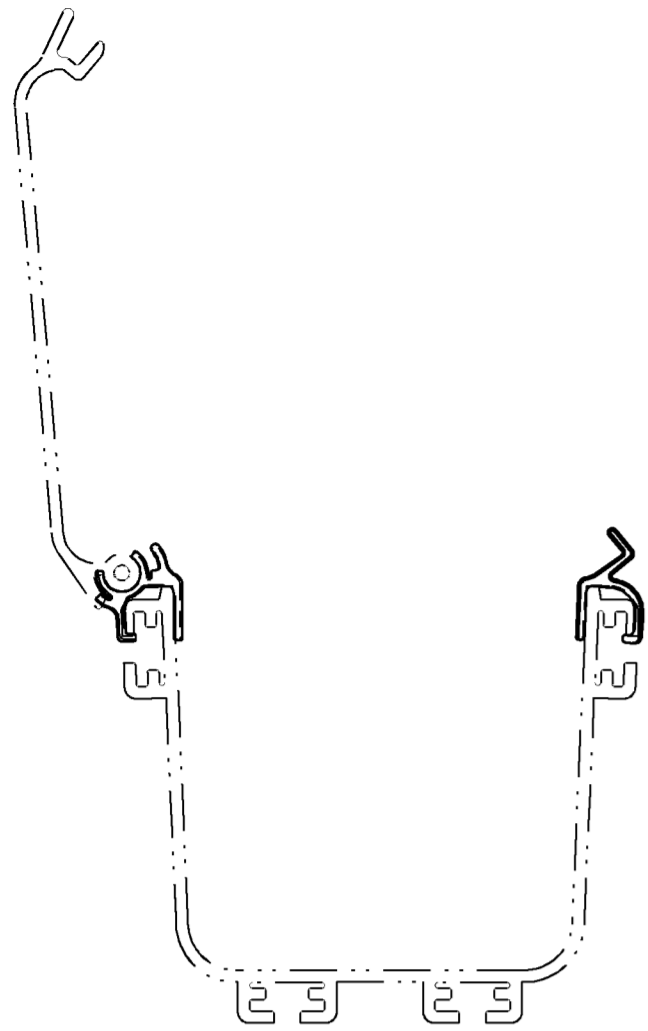
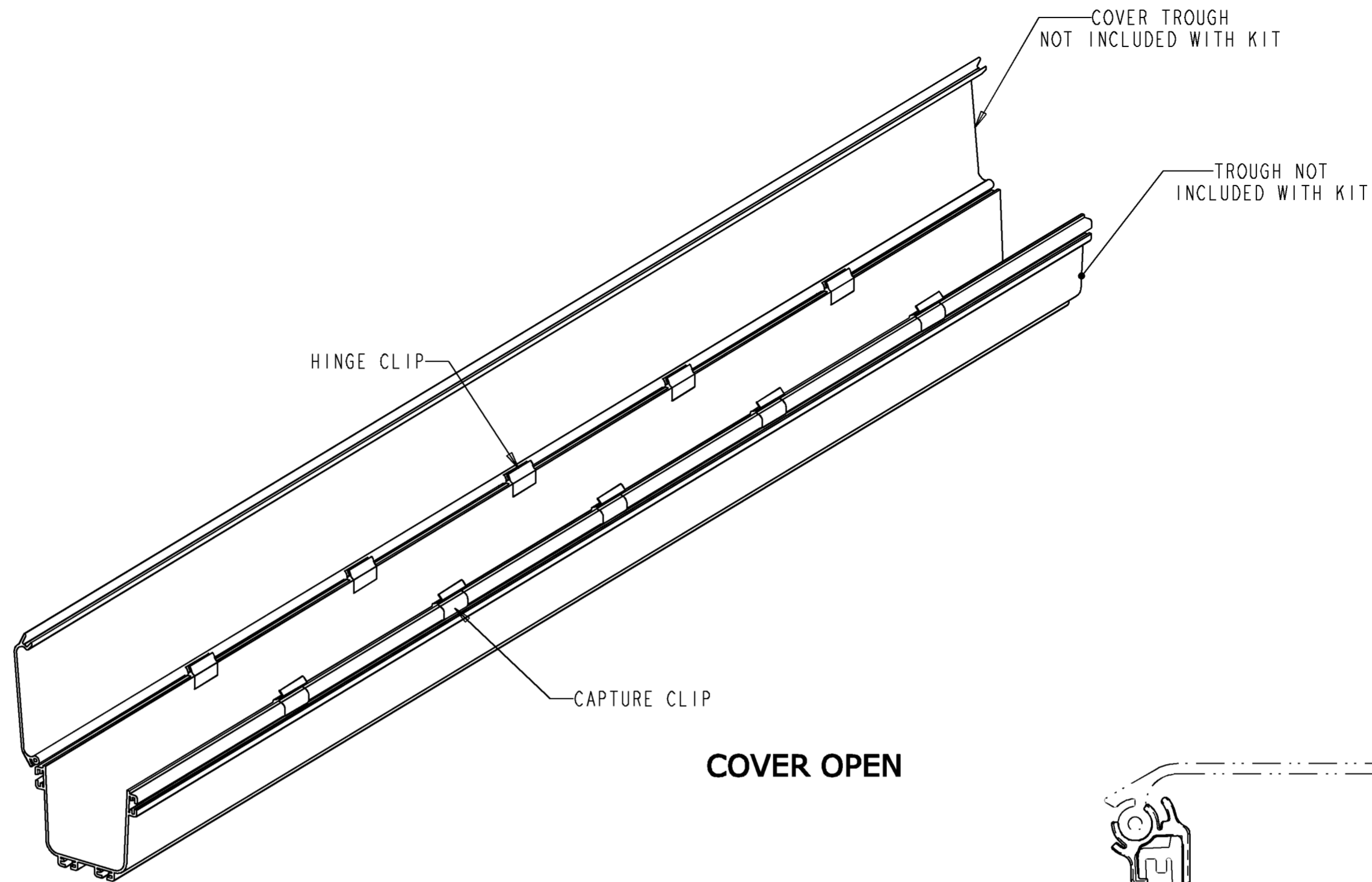


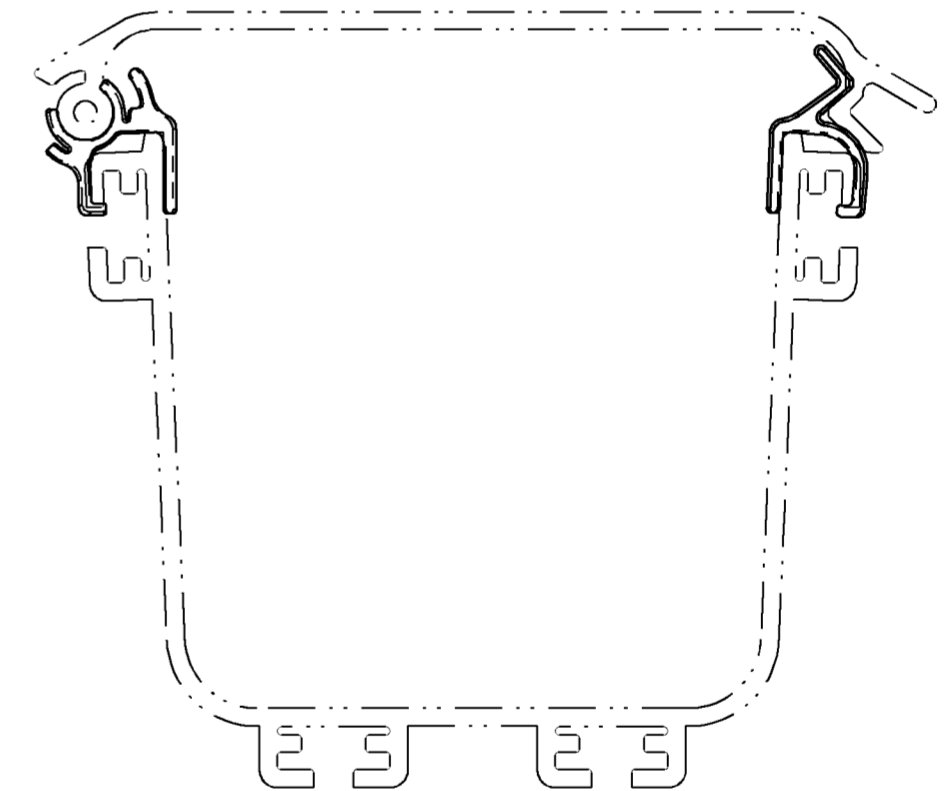
REV	MCO	DWN	DATE
A	20174789	GNM	12-AUG-05
B	20265718	GCC	16-JUN-09



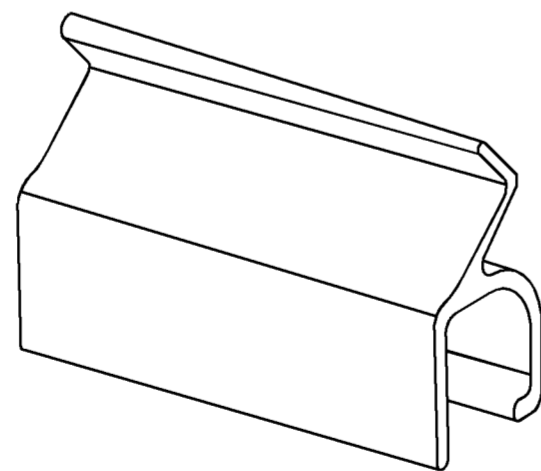
OPEN POSITION
 INSTALLATION TYPICAL ON
 4", 6", AND 12" TROUGHS
 SCALE 0.500



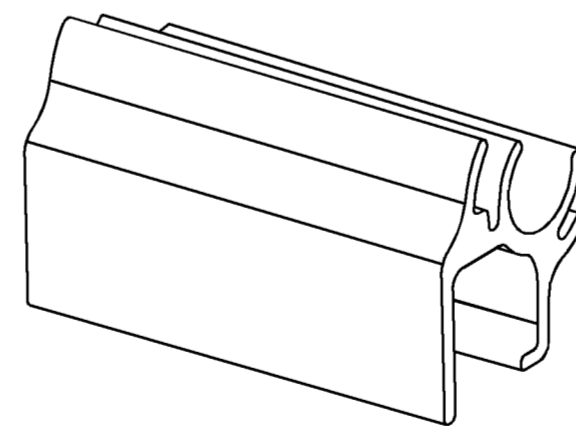
COVER OPEN



CLOSED POSITION
 INSTALLATION TYPICAL ON
 4", 6", AND 12" TROUGHS
 SCALE 0.750



CAPTURE CLIP DETAIL



HINGE CLIP DETAIL

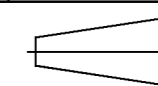
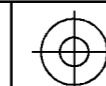
NOTES:

- KIT CONTAINS:
 (10) HINGE CLIPS
 (10) CAPTURE CLIPS.
-
- PLACE CLIPS APPROXIMATELY AS SHOWN.
 CLIPS WILL NEED TO BE SQUEEZED INWARD SLIGHTLY.

FGSB-DHHC
FGSO-DHHC
FGS-DHHC
CATALOG NUMBER



INFORMATION ON THIS DOCUMENT IS PROPRIETARY TO ADC AND SHALL NOT BE USED, COPIED, REPRODUCED OR DISCLOSED IN WHOLE OR IN PART WITHOUT WRITTEN CONSENT OF ADC.		TITLE KIT, HINGED, AND CAPTURE FOR FGS COVERS INSTALLATION DRAWING	
ALL DIMS AND TOLERANCES ARE INCHES UNLESS OTHERWISE SPECIFIED	.XX:±N/A .XXX:±N/A ANGULAR:±N/A	C SIZE	DRAWING NUMBER 1335877
DO NOT SCALE DRAWING		ENGR: J. GABRIEL NERI DWN: J. GABRIEL NERI	B REV
		SHT. 1 OF 1	



**DIMENSIONS IN INCHES
 THIRD ANGLE PROJECTION**