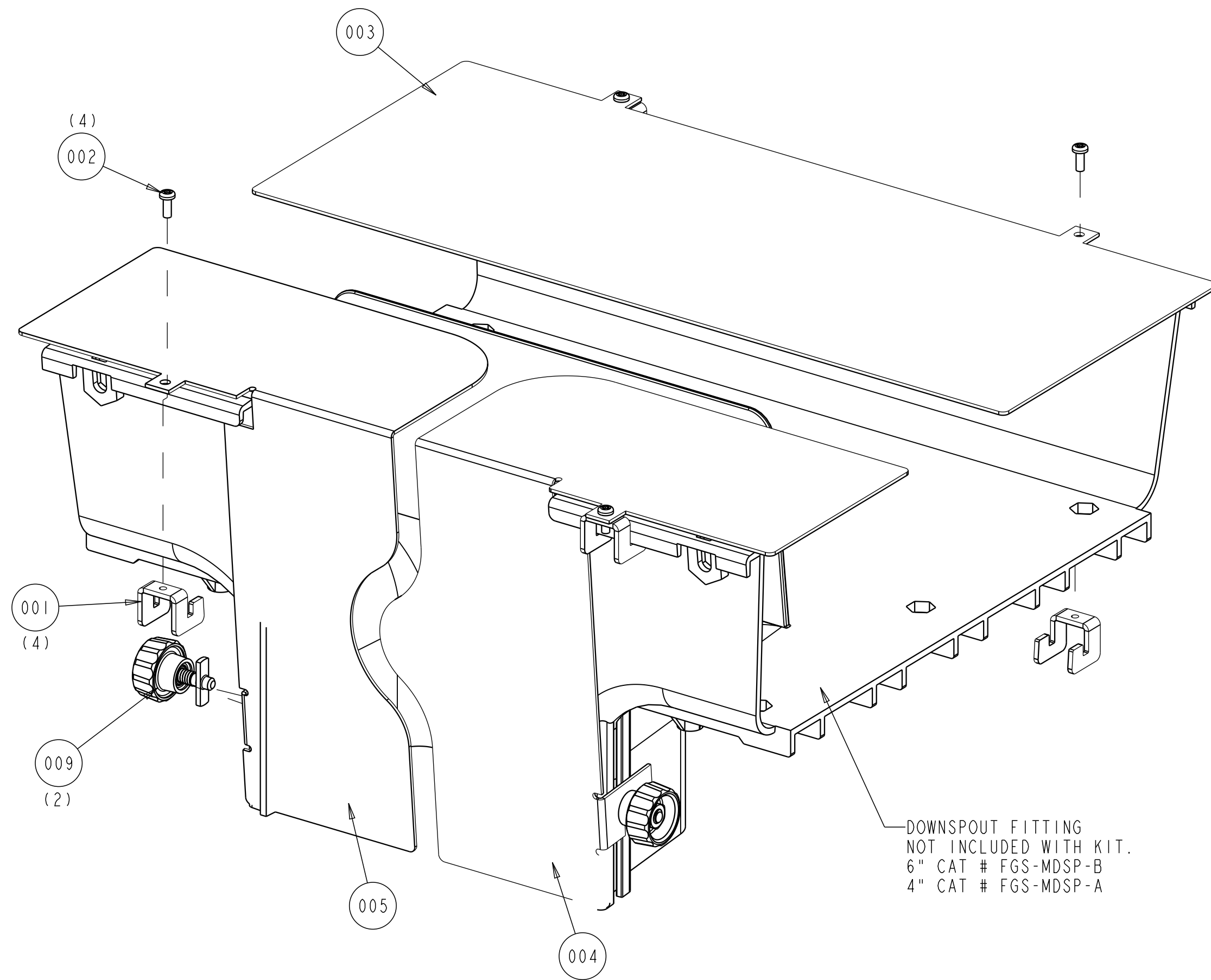


REV.	MCO	DWN	DATE
A	40015037MCO	OAVL	17-JUN-14
B	40032743MCO	ARL	05-AUG-16



NOTES:

1. INCLUDED WITH UNIT:
1. (4) COVER HOOK
2. (4) SCREW TF PAN PH 6-32
3. (1) STR. SEC. SPLIT COVER
4. (1) DWNSPUT CORNER SPLIT CVR RIGHT
5. (1) DWNSPUT CORNER SPLIT CVR LEFT
6. (2) QUICK KNOB WITH T-BOLT
7. (1) INSTALLATION DRAWING

DOWNSPOUT FITTING
NOT INCLUDED WITH KIT.
6" CAT # FGS-MDSP-B
4" CAT # FGS-MDSP-A

4 X 4	FGS-DDSP-A
4 X 6	FGS-DDSP-B
SIZE	CATALOG NUMBER

<small>© 2016 COMMSCOPE, INC. CONFIDENTIAL NOTICE: THESE DRAWINGS AND SPECIFICATIONS ARE THE PROPRIETARY PROPERTY OF COMMSCOPE, INC. AND MAY BE USED ONLY FOR THE SPECIFIC PURPOSE AUTHORIZED IN WRITING BY COMMSCOPE, INC.</small>	TITLE	FGS DOWNSPOUT SPLIT COVER KIT INSTALLATION DRAWING	
	<small>ALL DIMS AND TOLERANCES .XX:±N/A ARE INCHES UNLESS .XXX:±N/A OTHERWISE SPECIFIED ANGULAR:±N/A</small>	DRAWING NUMBER	300100103921
DO NOT SCALE DRAWING	ENGR: RYAN LINDQUIST DWN: RYAN LINDQUIST	SHT. 1 OF 1	B REV

COMMSCOPE, INC.

DIMENSIONS IN INCHES
THIRD ANGLE PROJECTION