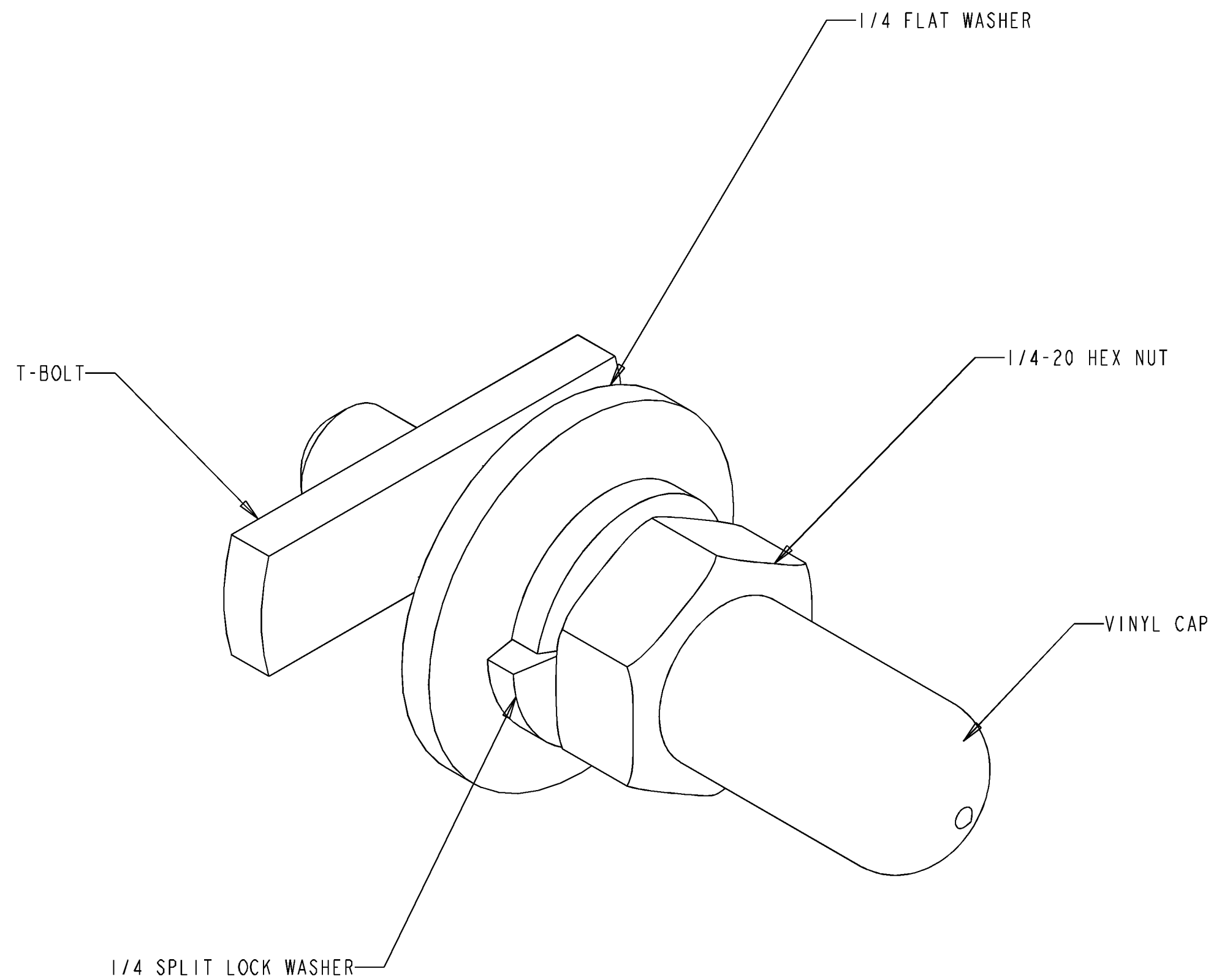


REV	ECO	DWN	DATE
A	20068746	CDZ	07-SEP-00
-	-----	---	-----



NOTES:

- KIT INCLUDES THE FOLLOWING:  
 (100) 1/4-20 T-BOLT  
 (100) 1/4 FLAT WASHER  
 (100) 1/4 SPLIT LOCK WASHER  
 (100) 1/4-20 HEX NUT  
 (100) VINYL CAP
- ASSEMBLE THE T-BOLTS, EXCEPT FOR THE VINYL CAP, AS SHOWN.
- INSERT THE T-BOLTS AS THE APPLICATION DEMANDS. TIGHTEN COMPLETELY, AND ASSEMBLE VINYL CAP AS SHOWN. SEE INCLUDED REFERENCE DRAWING FOR T-BOLT INSTALLATION.

CATALOG #: FGS-ACC120



INFORMATION ON THIS DOCUMENT IS PROPRIETARY TO ADC AND SHALL NOT BE USED, COPIED, REPRODUCED OR DISCLOSED IN WHOLE OR IN PART WITHOUT WRITTEN CONSENT OF ADC.		TITLE KIT, FGS, T-BOLT COMPONENTS, QTY 100	
TOLERANCE UNLESS OTHERWISE SPECIFIED .XX:±.02 .XXX:±.010 ANGULAR:±2°	C SIZE	DRAWING NUMBER 1128887	A REV
THIRD ANGLE PROJECTION DO NOT SCALE DRAWING	ENGR: KEVIN HRUBY DWN: CRAIG ZELASKO	SHT. 1 OF 1	