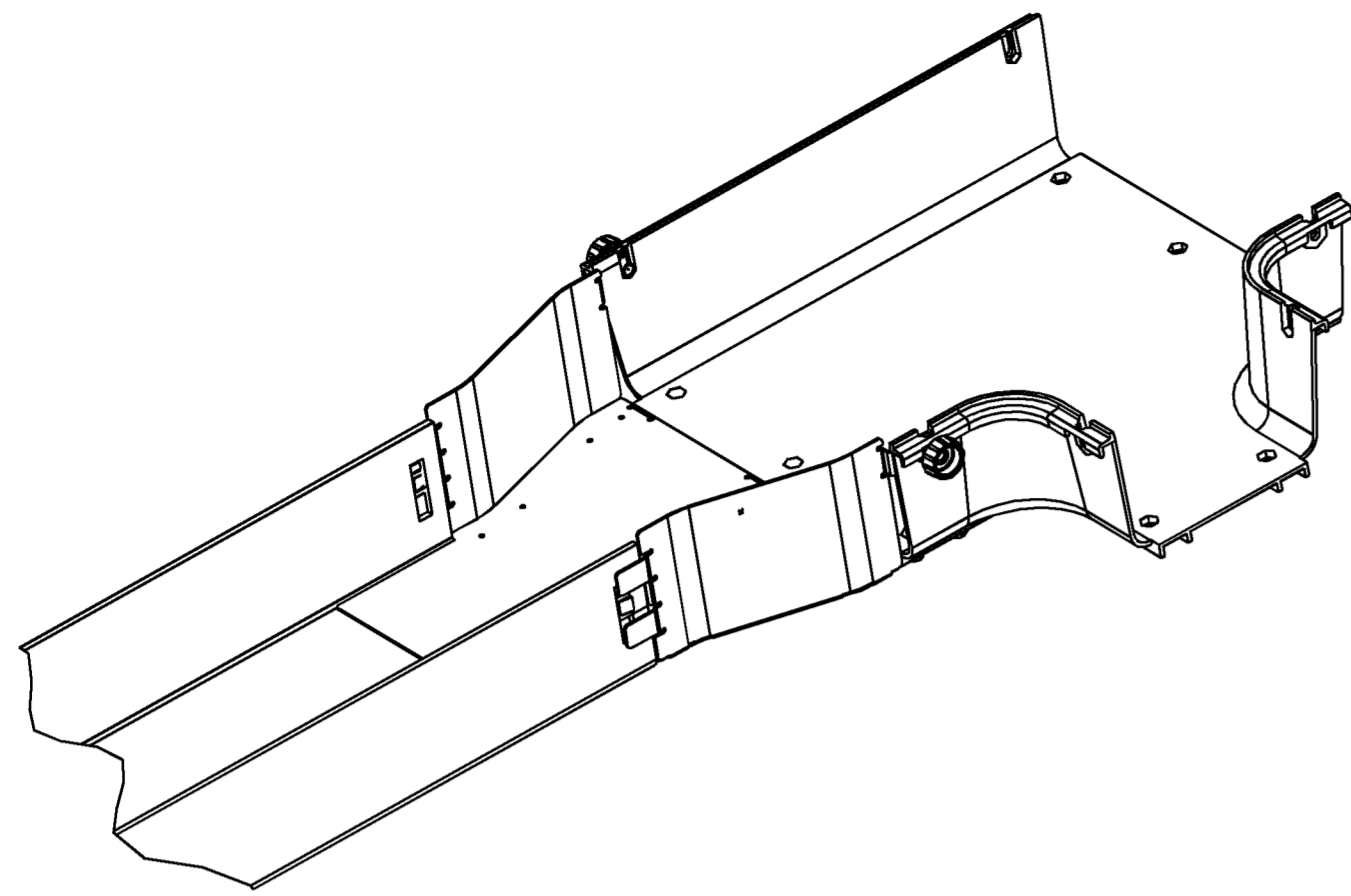


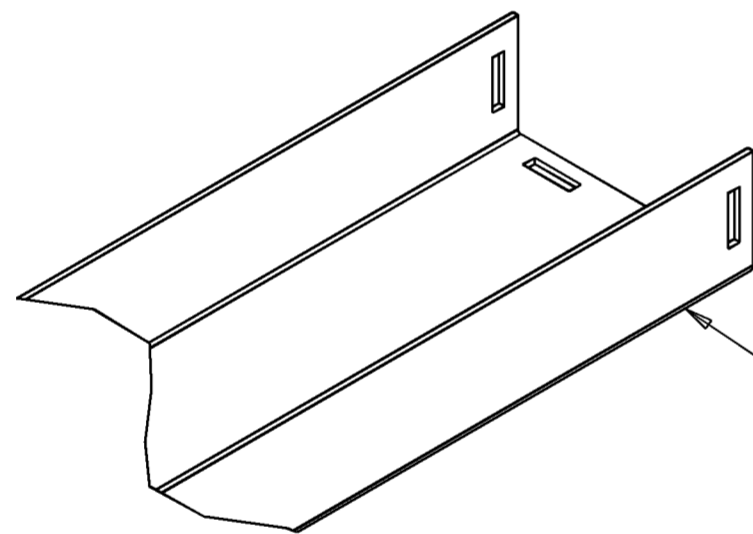
REV	MCO	DWN	DATE
A	20220594	JBC	22-JUL-07
B	20260030	GRL	11-MAR-09



TONGUE

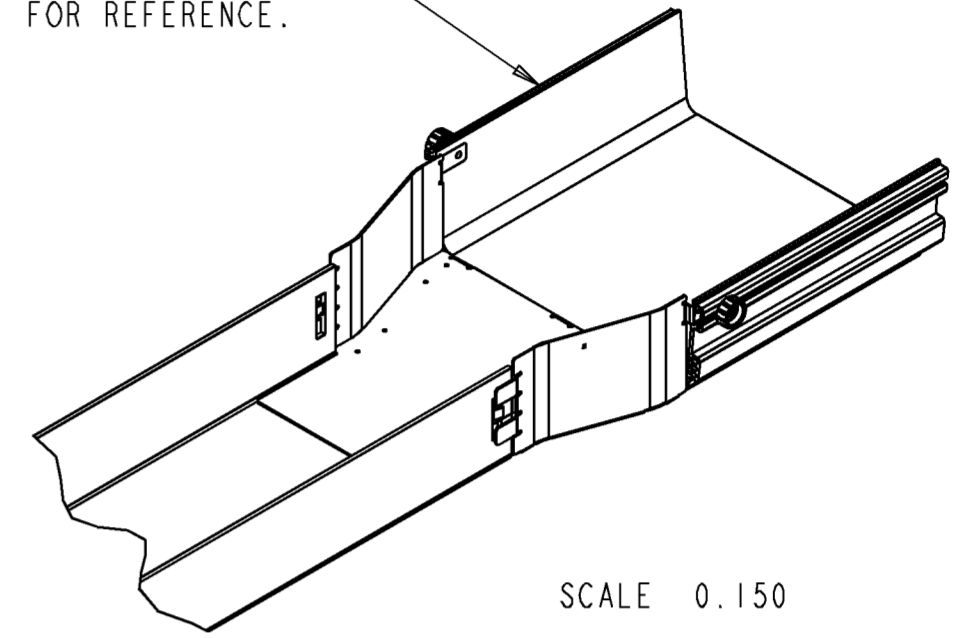
8.26"
(210 MM)

ADAPTER



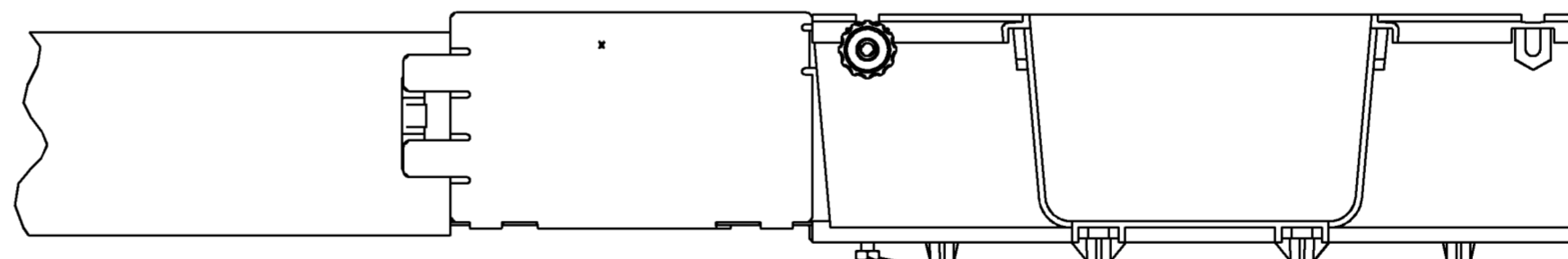
WARREN & BROWN 8" FITTING
SECTION FOR REFERENCE

4X12 STRIGHT SECTION
SHOWN ONLY
FOR REFERENCE.



SCALE 0.150

ADC HORIZONTAL T WITH
4X12 SHOWN ONLY FOR
REFERENCE.



1/4-20 NUT (QUICK KNOB CAN BE USED AS PREFERENCE)

1/4-20 SCREW

NOTES:

1. PARTS INCLUDED WITH KIT ARE AS FOLLOW:

- (1) ADAPTER
- (3) 1/4-20 HEX SCREW
- (3) 1/4-20 NUT
- (5) KNOB PLASTIC

NOTE: EXTRA PARTS CAN BE INCLUDED.

ATTACHING THE ADAPTER TO THE WARREN & BROWN LINK:

2. MATE THE ADAPTER TO THE WARREN & BROWN COMPONENT AS SHOWN. SIDES OF THE ADAPTER WILL NEED TO BE SQUEEZED INWARD SLIGHTLY.
3. MATE THE ADAPTER TO THE ADC GUIDE WITH KNOBS AND 1/4-20 SREW AND NUT.
4. CUT AND APPLY TAPE ALONG SEAMS WHERE THE ADAPTER MEETS THE TROUGH IF IT IS REQUIRED,

CATALOG#: FGS-ACC088



INFORMATION ON THIS DOCUMENT IS PROPRIETARY TO ADC AND SHALL NOT BE USED, COPIED, REPRODUCED OR DISCLOSED IN WHOLE OR IN PART WITHOUT WRITTEN CONSENT OF ADC.		TITLE	KIT 12" FGS TO 8" WARREN ADAPTER INSTALLATION DRAWING	
ALL DIMS AND TOLERANCES ARE INCHES UNLESS OTHERWISE SPECIFIED	.XX:±REF .XXX:±REF ANGULAR:±N/A	C SIZE	DRAWING NUMBER	B REV
DO NOT SCALE DRAWING	ENGR: J. BARRAZA DWN: J. BARRAZA		1414898	SHT. 1 OF 1

**DIMENSIONS IN INCHES
THIRD ANGLE PROJECTION**