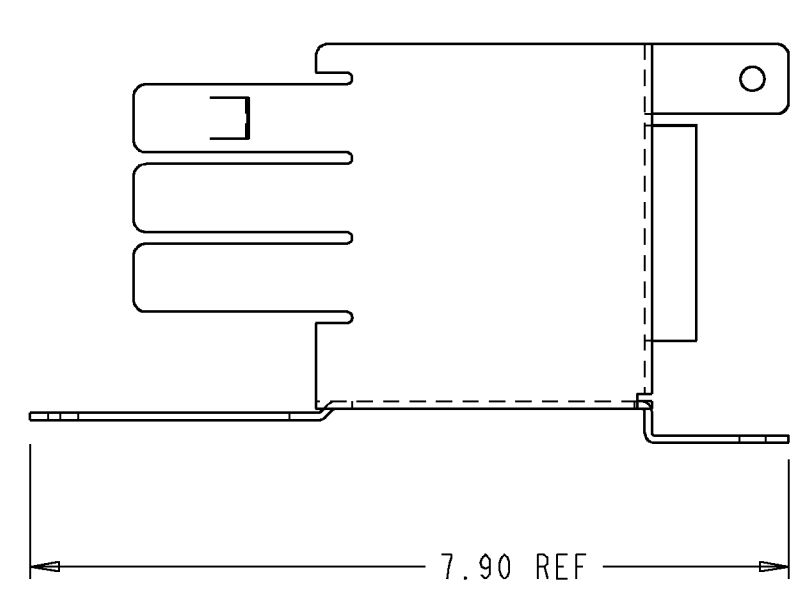
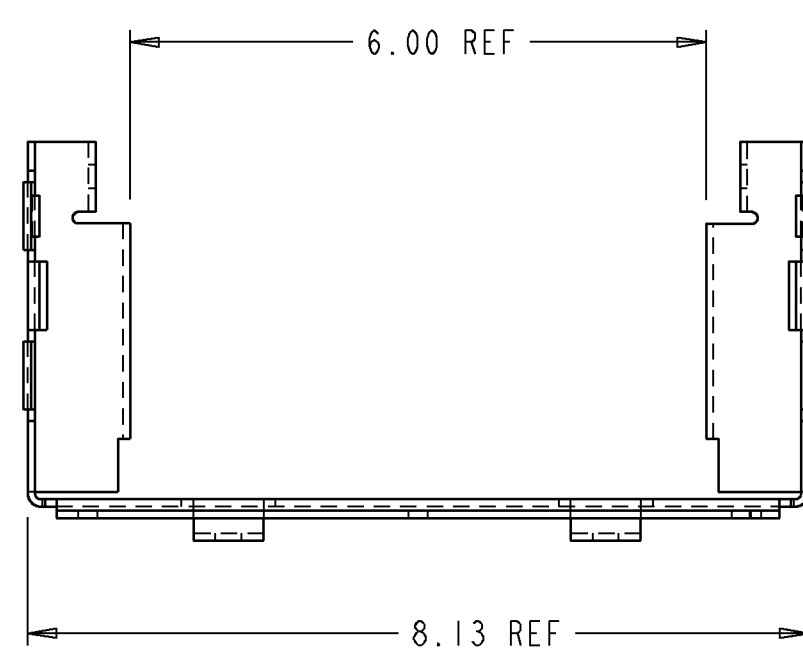
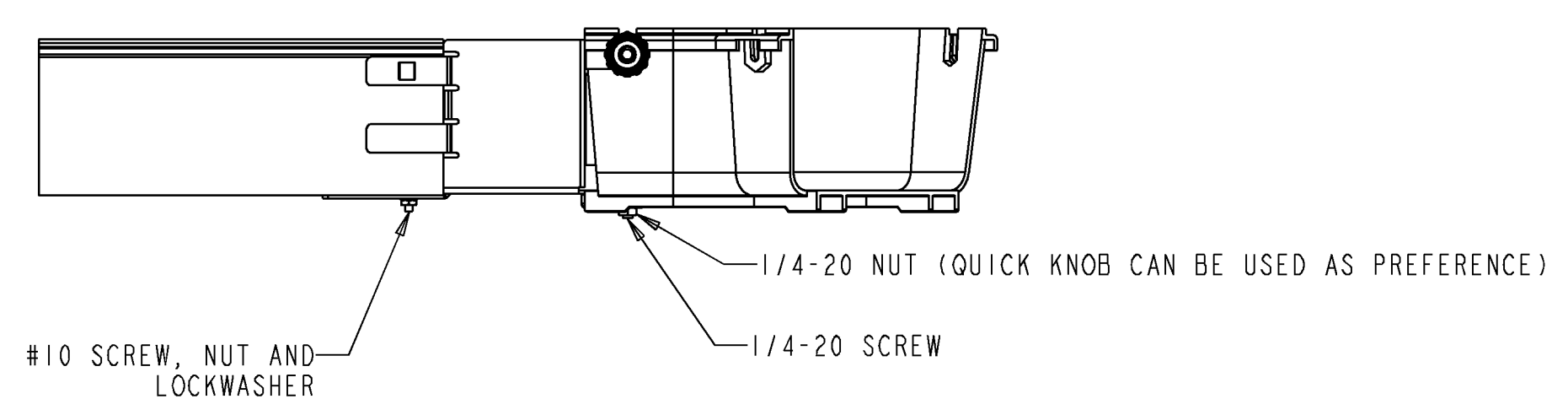
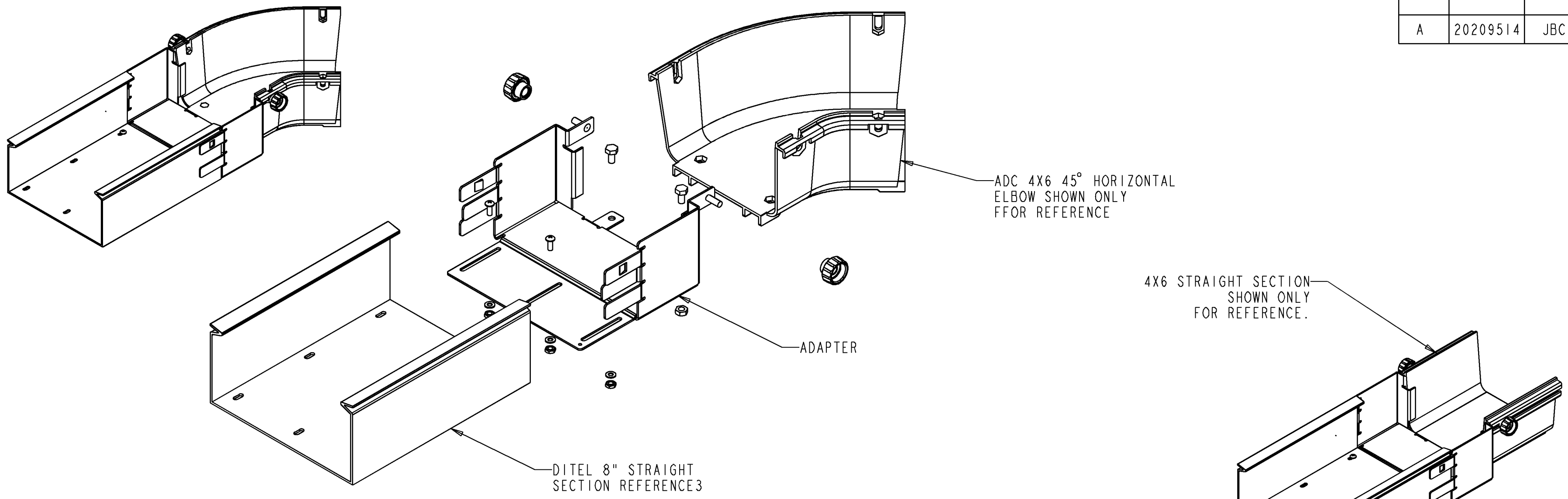


REV	MCO	DWN	DATE
A	20209514	JBC	06-FEB-07



NOTES:

1. PARTS INCLUDED WITH KIT ARE AS FOLLOWS:
 - (1) ADAPTER
 - (2) 1/4-20 HEX SCREW
 - (2) 1/4-20 NUT
 - (3) SCREW 10-32
 - (3) WASHER #10
 - (3) NUT 10-32
 - (4) KNOB PLASTIC
- NOTE: EXTRA PARTS CAN BE INCLUDED

ATTACHING THE ADAPTER TO THE DITEL LINK:

2. MATE THE ADAPTER TO THE DITEL COMPONENT AS SHOWN. SIDES OF THE ADAPTER WILL NEED TO BE SQUEEZED INWARD SLIGHTLY. USE THE 10-32 SCREW, NUT AND WASHER.
3. MATE THE ADAPTER TO THE ADC GUIDE WITH KNOBS AND 1/4-20 SREW AND NUT.
4. CUT AND APPLY TAPE ALONG SEAMS WHERE THE ADATER MEETS THE TROUGH.

CATALOG#: FGS-ACC047



INFORMATION ON THIS DOCUMENT IS PROPRIETARY TO ADC AND SHALL NOT BE USED, COPIED, REPRODUCED OR DISCLOSED IN WHOLE OR IN PART WITHOUT WRITTEN CONSENT OF ADC.		TITLE KIT 6" FGS TO 8" DITEL ADAPTER INST DRAWING	
ALL DIMS AND TOLERANCES ARE INCHES UNLESS OTHERWISE SPECIFIED	.XX:±REF .XXX:±REF ANGULAR:±N/A	C SIZE	DRAWING NUMBER 1398260
DO NOT SCALE DRAWING	ENGR: J. BARRAZA DWN: J. BARRAZA	SHT. 1 OF 1	

**DIMENSIONS IN INCHES
THIRD ANGLE PROJECTION**