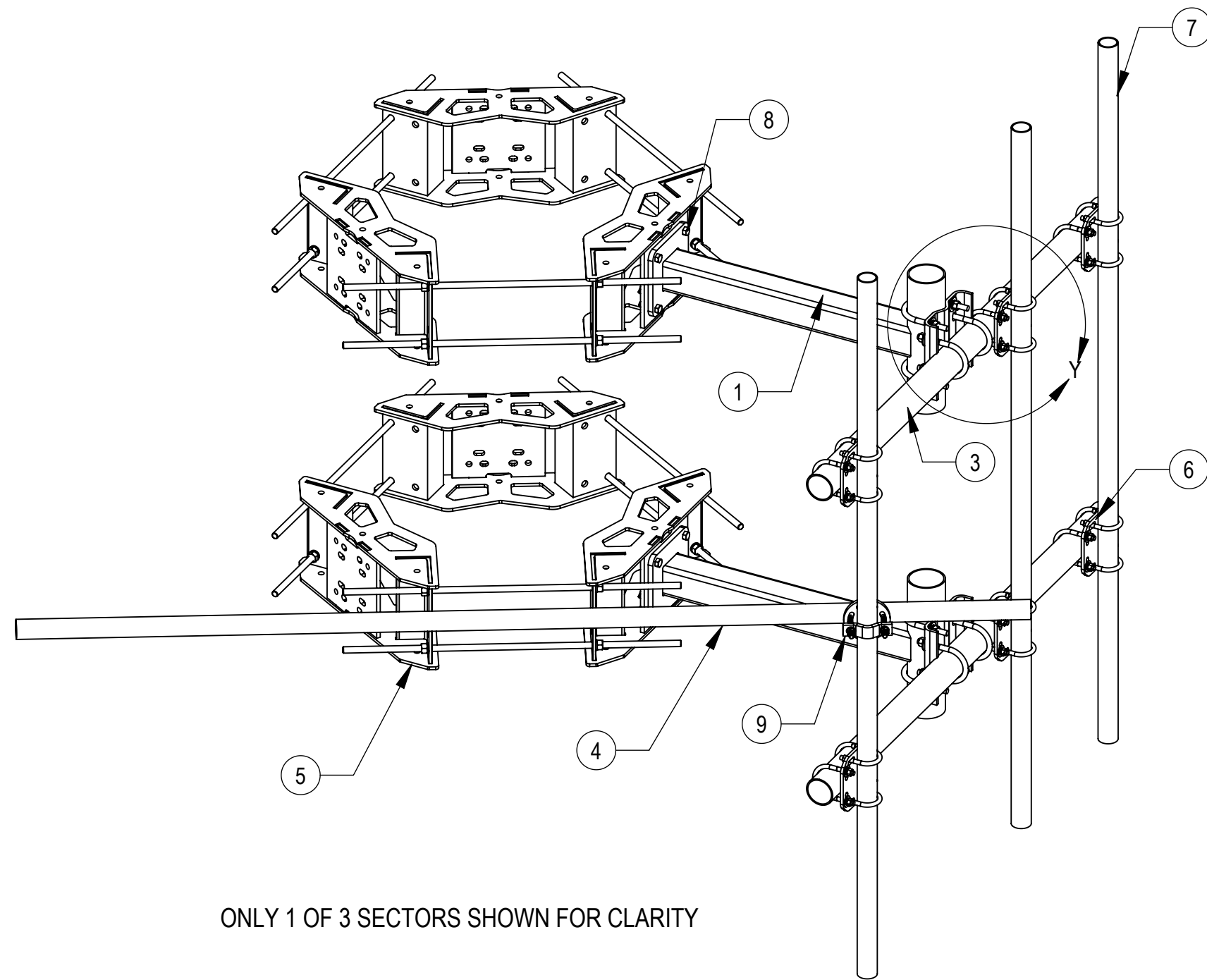


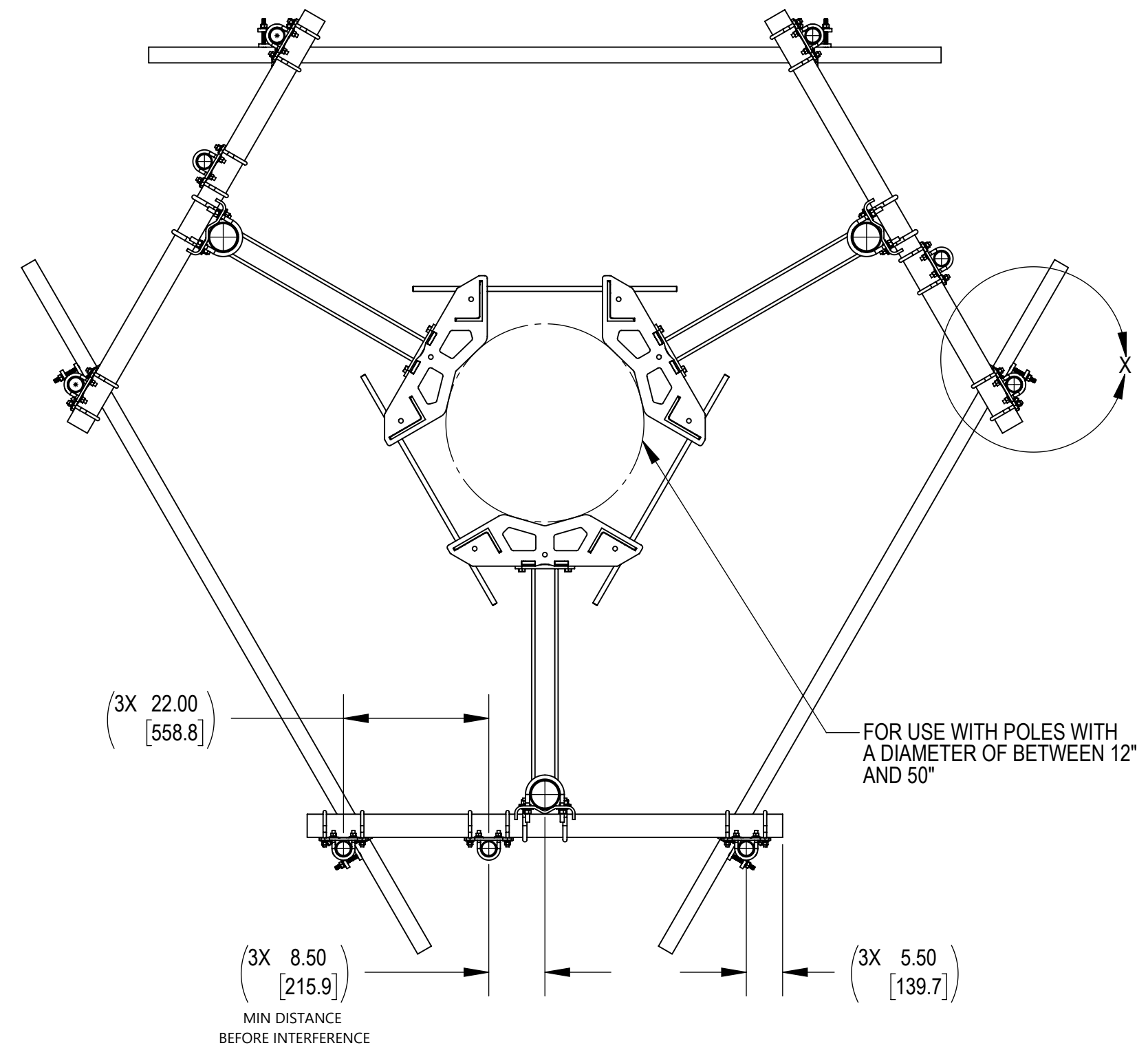
NOTES:

- 1.0 GENERAL
 - 1.1 ALL METRIC DIMENSIONS ARE IN BRACKETS
 - 1.2 FOR PATENTS, SEE WWW.CS-PAT.COM
- 2.0 DESIGN NOTES
- 3.0 MANUFACTURING/SPECIAL REQUIRMENTS
- 4.0 TEST
- 5.0 PACKAGING

REVISIONS				
REV.	ECN	DESCRIPTION	BY	DATE
A	8000036044	INITIAL RELEASE	ES	7/19/2019
B	40149314CMO	ADD TIE BACK AND CONNECTION	CB1094	5/31/2022

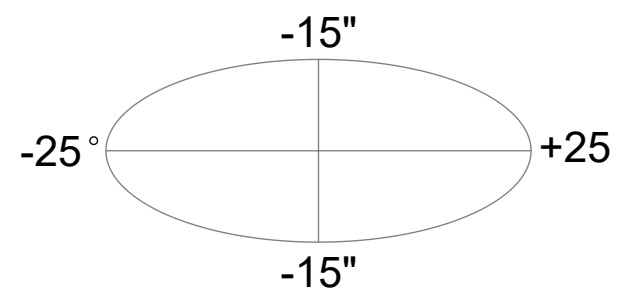


ONLY 1 OF 3 SECTORS SHOWN FOR CLARITY



TIEBACK ANGLE RANGE DETAIL

+/- 15" VERTICAL TRAVEL FROM CENTER
+/- 25 DEGREES HORIZONTAL PIVOT



COMPONENT PART NUMBERS PROVIDED FOR ASSEMBLY PURPOSES;
INDIVIDUAL COMPONENTS MAY BE SHIPPED AS PARTS WITHIN AN INCLUDED KIT.

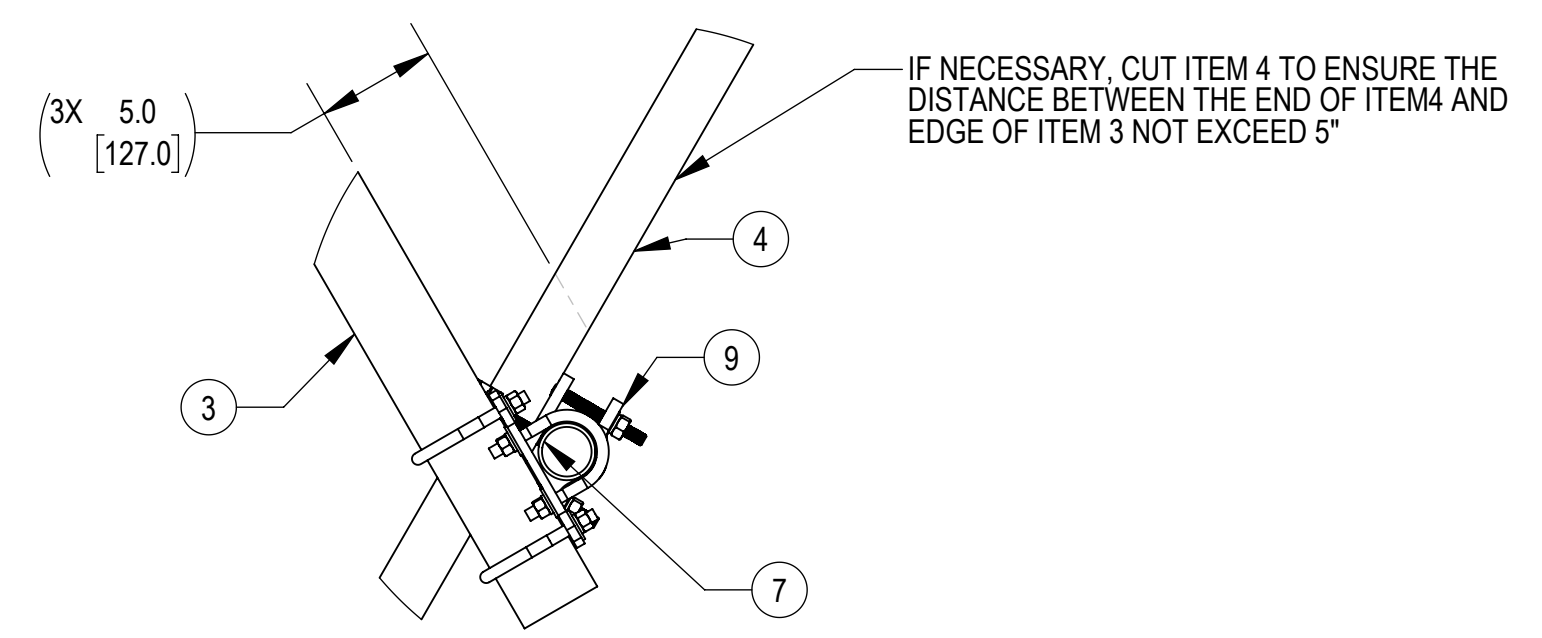
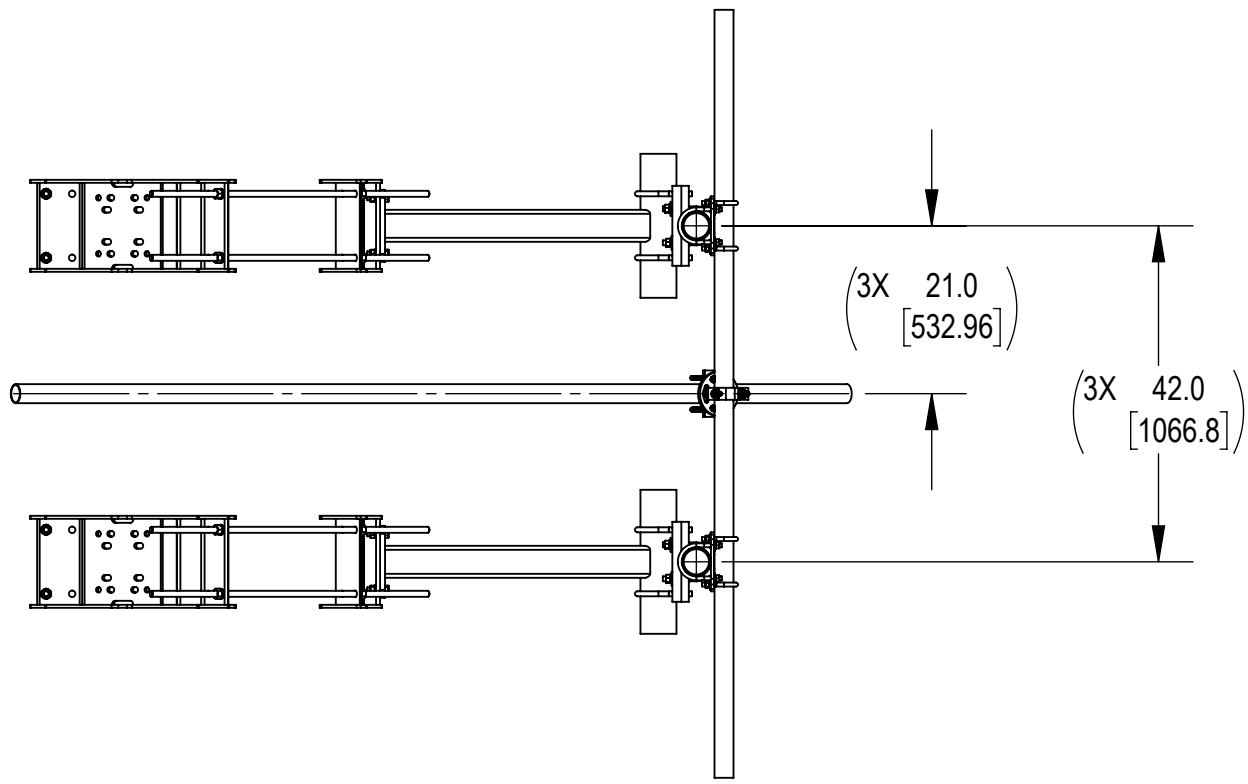
ITEM	PART NO.	DESCRIPTION	3 SECTORS/QTY.	WEIGHT
1	MT19701	36" SINGLE SUPPORT ARM	6	57.29 LBS
2	MT216NSH	12" CENTER BRACKET	6	18.57 LBS
3	MT54772	Ø 3.50" O.D X 72" PIPE	6	36.41 LBS
4	MT-651-120	2.375" OD X .120" WALL X 120" PIPE	3	29.07 LBS
5	MC-RM1550-3	15" - 50" OD RINGMOUNT	2	230.13 LBS
6	XP-2030	CROSSOVER PLATE KIT, 2-3/8" OD X 3-1/2" OD	18	7.77 LBS
7	MT-651-96	PLAIN END PIPE 2-3/8" OD X 96"	9	29.07 LBS
8	GB-05225	5/8" X 2-1/4" GALV BOLT KIT	24	0.28 LBS
9	XP-R	CROSSOVER PLATE, ROUND, UP TO 3.5" OD	6	6.20 LBS

DENSITY	1674.29	lbs/in ³
MASS	15195.01	lbs
VOLUME	91184.96	in ³
SURFACE AREA		in ²
HEIGHT	96"	
LENGTH	152.5"	
WIDTH	137.8"	

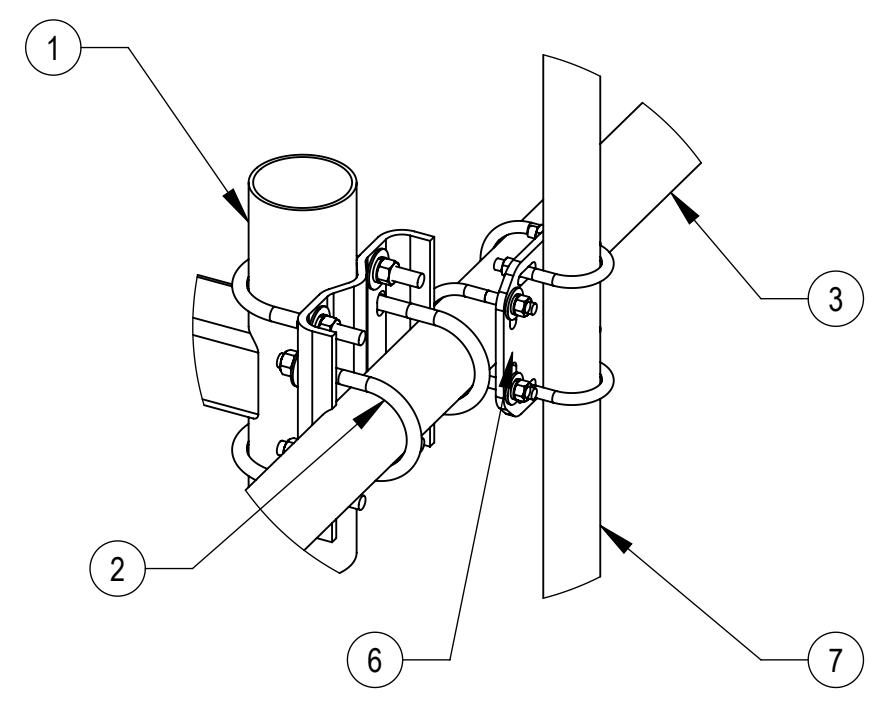
© 2022 CommScope, Inc. Confidential

COMMSCOPE, INC. OF NORTH CAROLINA


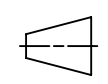
TOLERANCES				SAP MATERIAL MASTER				
1 PLACE .X ± .25	3 PLACE .XXX ± 0.06			MTC4074M6996				
2 PLACE .XX ± 0.12	ANGLES ± 2°			MATERIAL SEE BOM				
FINISH GALV A123				MATERIAL SEE BOM				
UNLESS OTHERWISE SPECIFIED DIMENSIONS ARE IN INCHES INTERPRET PER ANSI Y 14.5M-1994	NAME	DATE	TITLE					
	CE CB1094	05/31/22	DOUBLE T-ARM 6'					
	RW LS1146	06/22/2022						
	RV CB1094	06/24/2022						
	RE YMENG	07/15/2022						
ECN 40149314CMO			SCALE	DOCUMENT NO.				
			1:24	MTC4074M6996				
SIZE	WORK AREA	INSL	MODEL			DRAWING		SHEET 1 OF 2
C			VERSION	STATUS	REVISION	VERSION	STATUS	
			02	RE	B	02	RE	B



DETAIL X
SCALE 1 : 8



DETAIL Y
SCALE 1 : 8

COMMSCOPE, INC. OF NORTH CAROLINA				
TITLE DOUBLE T-ARM 6'				
SIZE C	SCALE 1:24	DOCUMENT NO. MTC4074M6996		
 		DRAWING		SHEET
		VERSION 02	STATUS RE	REVISION B