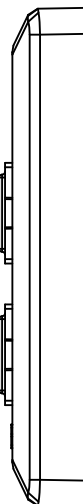
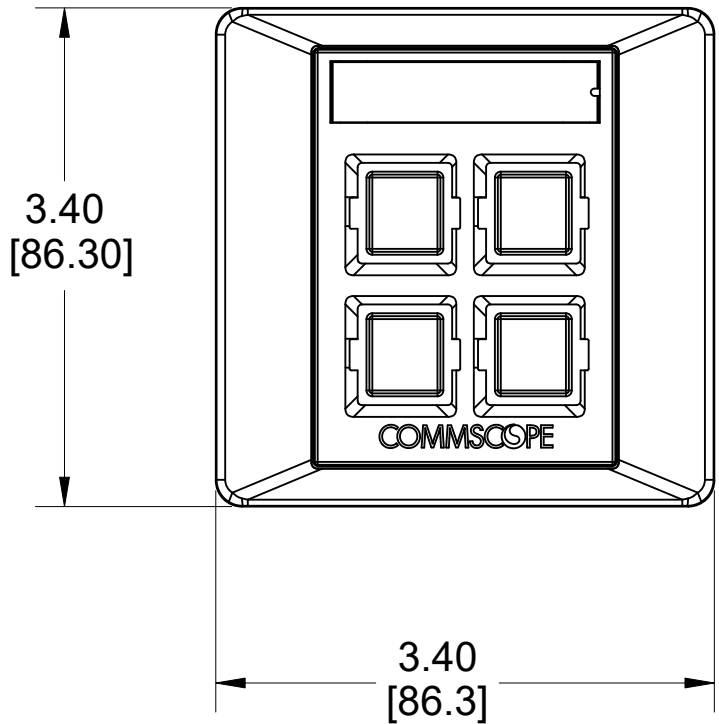
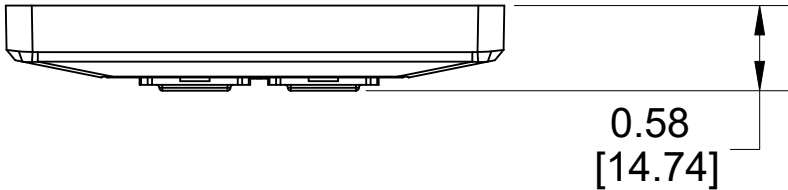


MATERIAL ID	DESCRIPTION
760254616	FPUS-BS-4P-B

NOTES:

- SEE COMMSCOPE CATALOG FOR PART NUMBER SUFFIXES TO INDICATE COLOR/PKG.
- SEE COMMSCOPE CATALOG FOR COMPLETE LIST OF PARTS RELATED TO THE USE OF THIS PRODUCT.
- DIMENSIONS IN PARENTHESES ARE IN METRIC[MM].
- PART INCLUDES:
 - (1) FACEPLATE FUS, 2 PORT COVER BLACK
 - (1) FACEPLATE FUS, 4 PORT FRAME BLACK
 - (2) SCREW, M4-0.7X25 PHILLIPS PH NICKEL PIT
 - (4) DUST COVER, BLACK
 - (1) RETAINER, CARD
 - (1) LABEL CARD



FPUS-BS-4P-B	
COMMSCOPE, INC OF NORTH CAROLINA	
DRAWN BY JW	DWG NO 760254616
DATE 12/13/2022	

REV	DATE	ECR	DESCRIPTION	APPROVED BY
1	12/13/22		INITIAL ISSUE	FW