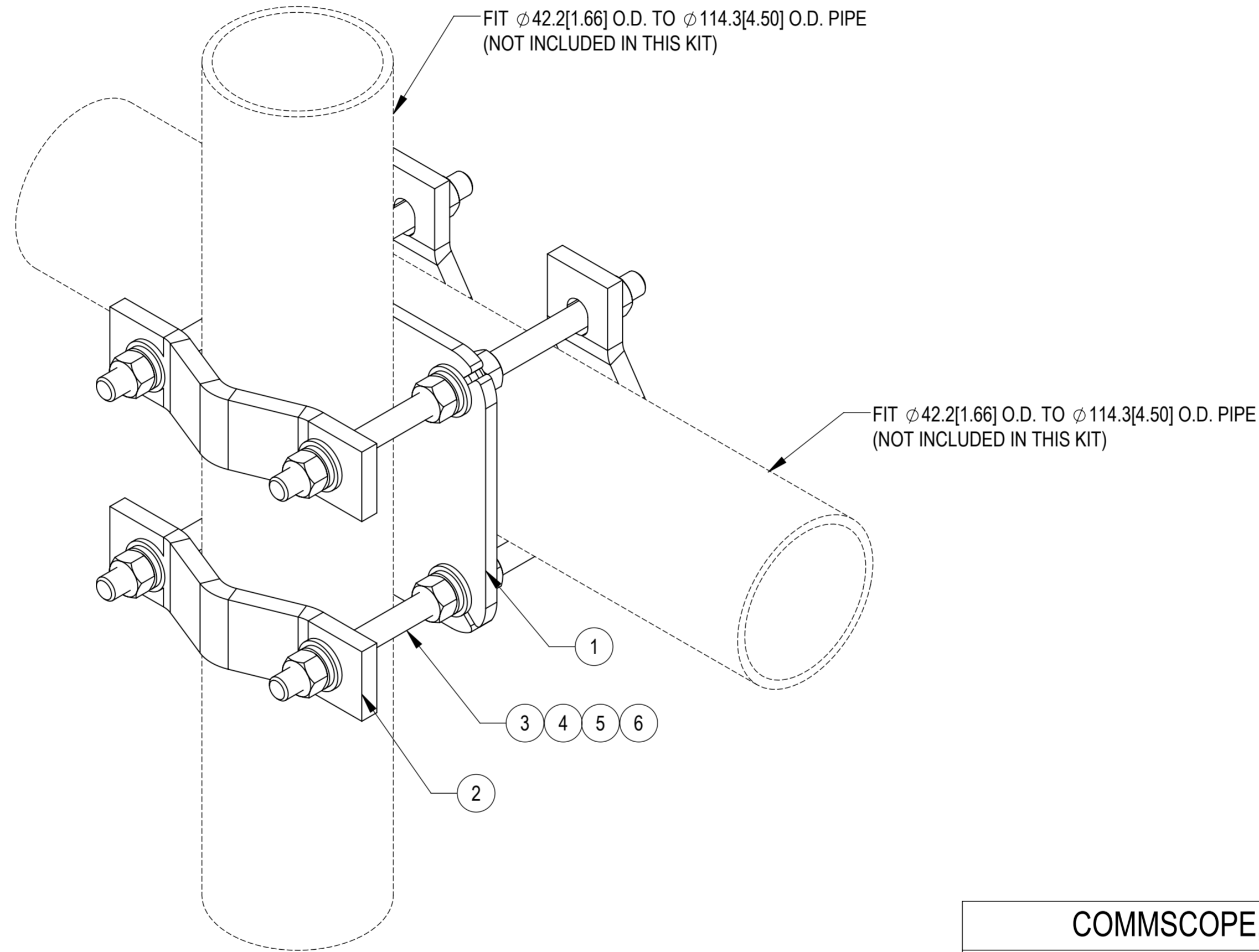


- 1.0 GENERAL NOTES  
 1.1 ALL IMPERIAL DIMENSIONS ARE IN BRACKETS [X.XX]  
 1.2 MARK PART WITH IDENTIFICATION NUMBER  
 2.0 DESIGN NOTES  
 3.0 MANUFACTURING/SPECIAL REQUIREMENTS  
 3.1 TIGHTEN ALL BOLTS SECURING FLAT PLATES BY THE TURN-OF-NUT METHOD. TIGHTEN ALL U-BOLTS USING TURN-OF-NUT METHOD WITH ATTENTION TO LEAVE EQUAL DISTANCE AND EQUAL FORCE ON EACH LEG OF THE U-BOLT.  
 4.0 TEST  
 5.0 PACKAGING  
 5.1 PACKAGING SHALL MEET COMMSCOPE REQUIREMENTS PER DOCUMENT IS-PL-3005  
 5.2 PRINTED DOCUMENT TO BE PLACED INSIDE POLYBAG AND THEN IN SHIPPING CONTAINER  
 5.3 EXTRA HARDWARE MAYBE SUPPLIED, BAGGED AND SHIPPED

REVISIONS			
REV.	DESCRIPTION	DATE	APPROVED
A	INITIAL RELEASE	JL1183 16MAR23	JAHAINES 40168212CMO



COMPONENT PART NUMBERS PROVIDED FOR ASSEMBLY PURPOSES;  
 INDIVIDUAL COMPONENTS MAY BE SHIPPED AS PARTS WITHIN AN INCLUDED KIT.

ITEM NO.	PART NO.	DESCRIPTION	QTY.
1	P574-030-01	PLATE, CROSSOVER MOUNTING	1
2	VCP	CLAMP, MOUNTING	4
3	MT-381	5/8" X 12" GALV THREADED ROD	4
4	GWL-05	5/8" GALV LOCK WASHER	16
5	GWFO5A	GALV FLAT WASHER HARDENED 5/8", 1.3OD	16
6	GN-05	5/8" GALV HEX NUT	16

DENSITY	22.11	lbs/in <sup>3</sup>
MASS	78.14	lbs
VOLUME	554.26	in <sup>3</sup>
SURFACE AREA		in <sup>2</sup>
DENSITY	10051.5854	g/mm <sup>3</sup>
MASS	1280569.1641	grams
VOLUME	357586.2367	mm <sup>3</sup>
SURFACE AREA		mm <sup>2</sup>
HEIGHT	213[8.4]	
LENGTH	305[12.0]	
WIDTH	213[8.4]	

**COMMSCOPE, INC. OF NORTH CAROLINA**

TOLERANCES		SAP MATERIAL MASTER							
0 PLACE	X[.X] ± 6[0.25]	2 PLACE	.XX[.XXX] ± 1.50[0.06]						
1 PLACE	.X[.XX] ± 3.0[0.12]	ANGLES	± 2°						
FINISH		MATERIAL							
		<b>MUK-MSK12</b>							
UNLESS OTHERWISE SPECIFIED DIMENSIONS ARE IN MILLIMETERS INTERPRET PER ANSI Y 14.5M-1994	NAME	DATE	TITLE						
	CE JL1183	16MAR23	<b>UNIVERSAL CROSSOVER PLATE</b>						
	RW JL1183	03/21/2023							
	AD YW1045	03/23/2023							
	RE YMENG	03/24/2023							
ECN 40168212CMO			SCALE: <b>1:1</b>						
SIZE	Auth Group	INSL	MODEL						
<b>A2</b>			VERSION	STATUS	REVISION	VERSION	STATUS	REVISION	SHEET
			00	RE	A	00	RE	A	1 OF 1