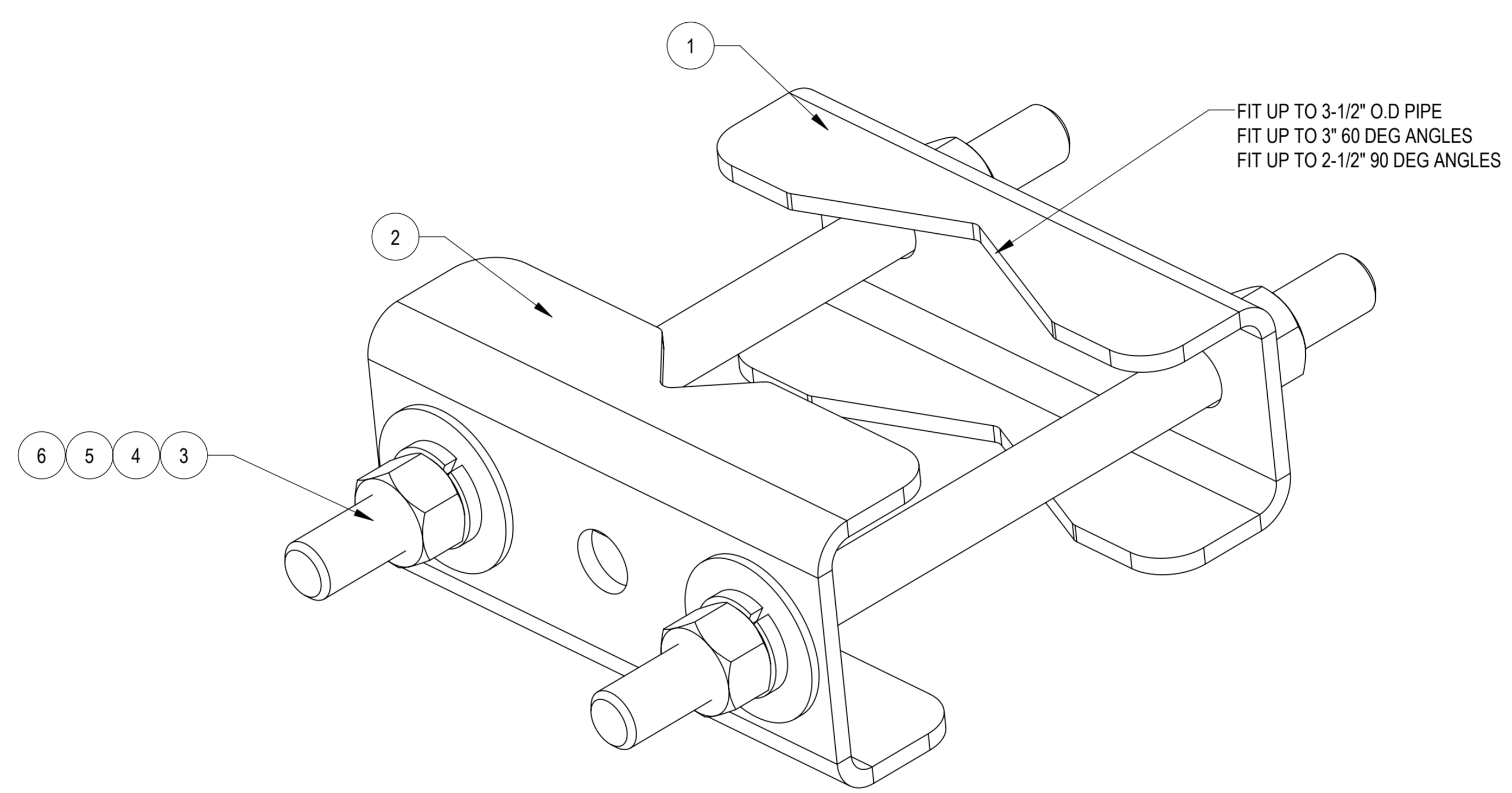


- 1.0 GENERAL NOTES
 1.1 ALL IMPERIAL DIMENSIONS ARE IN BRACKETS [X.XX]
 1.2 MARK PART WITH IDENTIFICATION NUMBER
- 2.0 DESIGN NOTES
- 3.0 MANUFACTURING/SPECIAL REQUIREMENTS
 3.1 TIGHTEN ALL BOLTS SECURING FLAT PLATES BY THE TURN-OF-NUT METHOD. TIGHTEN ALL U-BOLTS USING TURN-OF-NUT METHOD WITH ATTENTION TO LEAVE EQUAL DISTANCE AND EQUAL FORCE ON EACH LEG OF THE U-BOLT.
- 4.0 TEST
- 5.0 PACKAGING
 5.1 PACKAGING SHALL MEET COMMSCOPE REQUIREMENTS PER DOCUMENT IS-PL-3005
 5.2 PRINTED DOCUMENT TO BE PLACED INSIDE POLYBAG AND THEN IN SHIPPING CONTAINER
 5.3 EXTRA HARDWARE MAYBE SUPPLIED, BAGGED AND SHIPPED

REVISIONS			
REV.	DESCRIPTION	DATE	APPROVED
A	INITIAL RELEASE	JL1183 16MAR23	JAHAINES 40168212CMO



COMPONENT PART NUMBERS PROVIDED FOR ASSEMBLY PURPOSES;
 INDIVIDUAL COMPONENTS MAY BE SHIPPED AS PARTS WITHIN AN INCLUDED KIT.

ITEM NO.	PART NUMBER	DESCRIPTION	QTY.
1	BP51875-625	CLAMP, UNIVERSAL BACK	1
2	BP56875-625	CLAMP, UNIVERSAL FRONT	1
3	MT-381-10	5/8" X 10" GALV THREADED ROD	2
4	GWF-05	5/8" GALV FLAT WASHER, 1.7OD	4
5	GWL-05	5/8" GALV LOCK WASHER	4
6	GN-05	5/8" GALV HEX NUT	4

DENSITY	5.68	lbs/in ³
MASS	20.09	lbs
VOLUME	217.36	in ³
SURFACE AREA		in ²
DENSITY	2580.82	g/mm ³
MASS	329164.39	grams
VOLUME	140230.19	mm ³
SURFACE AREA		mm ²
HEIGHT	158.8[6.3]	
LENGTH	254.0[10.0]	
WIDTH	76.2[3.0]	

COMMSCOPE, INC. OF NORTH CAROLINA

TOLERANCES		SAP MATERIAL MASTER							
0 PLACE	X[.X] ± 6[0.25]	2 PLACE	.XX[.XXX] ± 1.50[0.06]						
1 PLACE	.X[.XX] ± 3.0[0.12]	ANGLES	± 2°						
FINISH		MATERIAL							
		MUK-MSK9							
UNLESS OTHERWISE SPECIFIED DIMENSIONS ARE IN MILLIMETERS INTERPRET PER ANSI Y 14.5M-1994	NAME	DATE	TITLE						
	CE JL1183	16MAR23	UNIVERSAL LEG CLAMP						
	RW JL1183	03/21/2023							
	AD YW1045	03/23/2023	MUK-MSK9						
	RE YMENG	03/24/2023							
ECN 40168212CMO		SCALE	DOCUMENT NO.						
		1:2	MUK-MSK9						
SIZE	Auth Group	INSL	MODEL						
A2			VERSION	STATUS	REVISION	VERSION	STATUS	REVISION	SHEET
			00	RE	A	00	RE	A	1 OF 1