

4

3

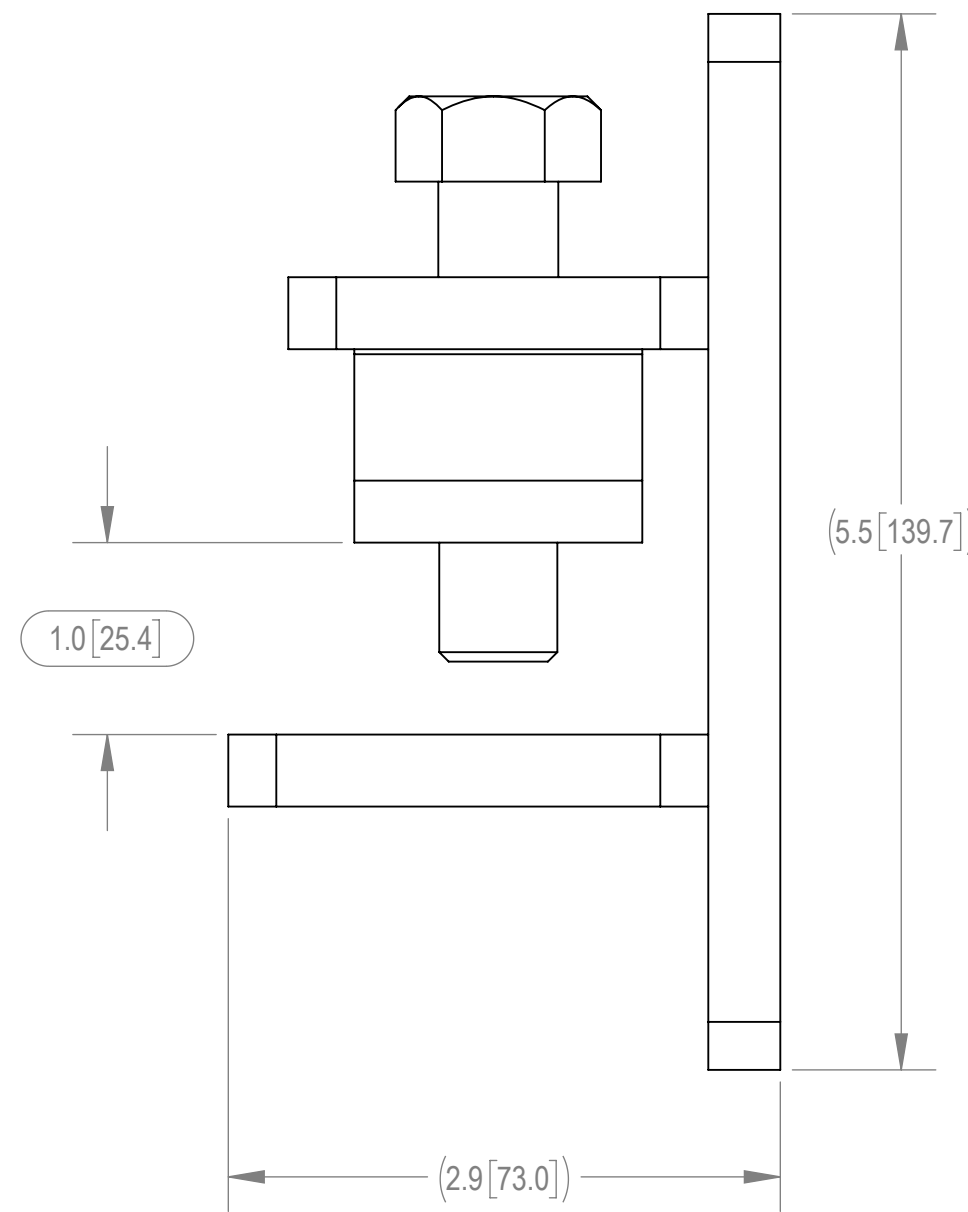
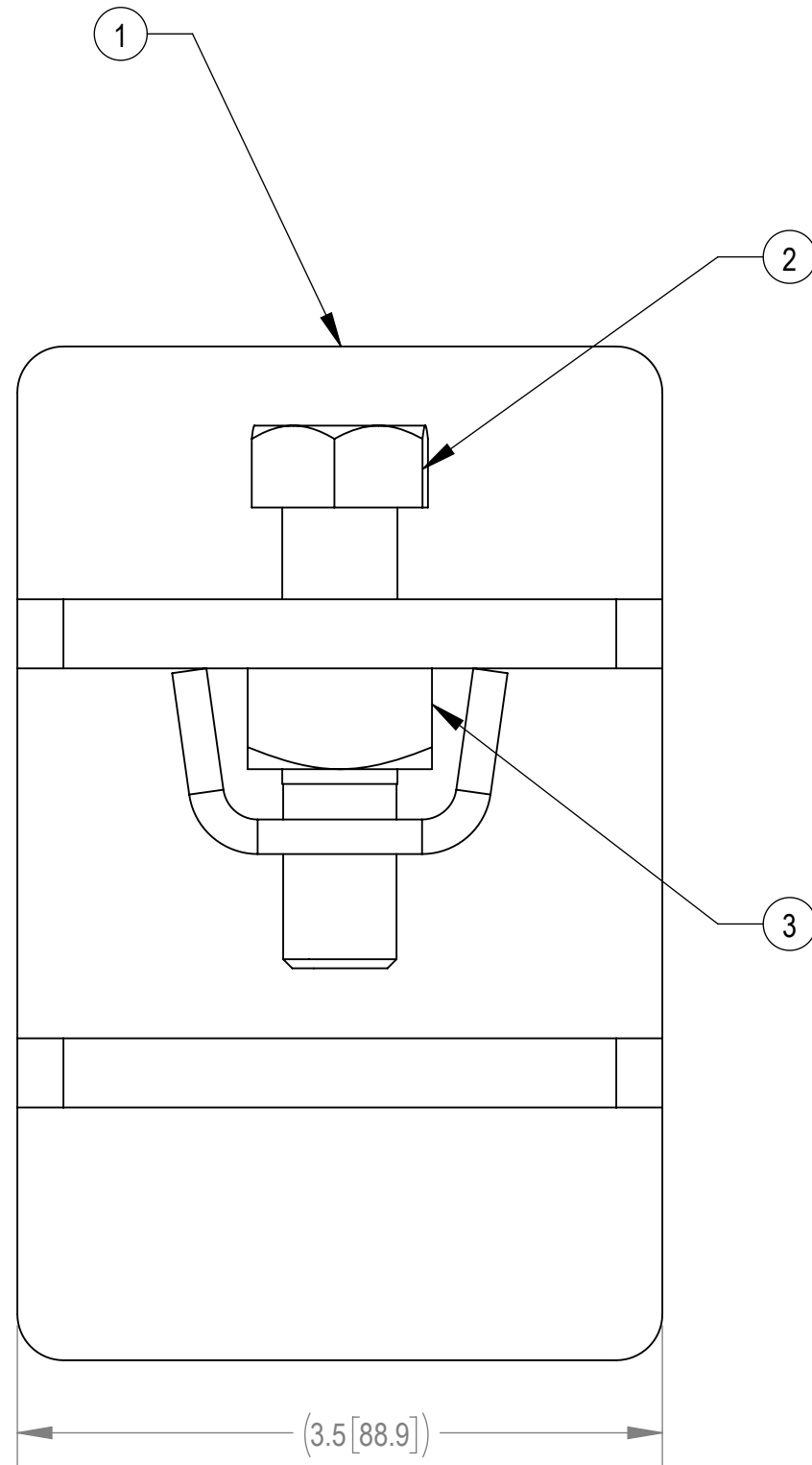
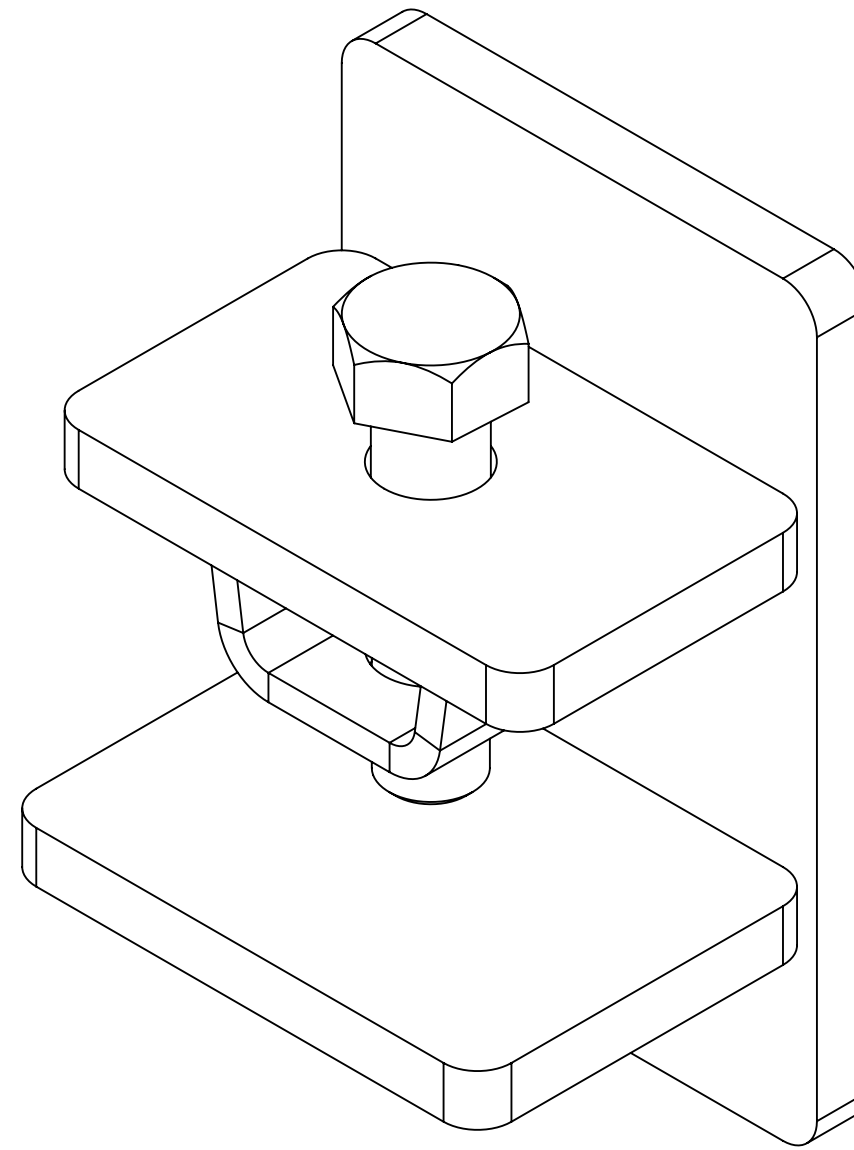
2

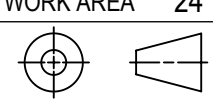
1

NOTES:

- 1.0 GENERAL
  - 1.1 ALL METRIC DIMENSIONS ARE IN BRACKETS
  - 1.2 FOR PATENT INFO :<https://www.cs-pat.com>
- 2.0 DESIGN NOTES
- 3.0 MANUFACTURING/SPECIAL REQUIREMENTS
- 4.0 TEST
- 5.0 PACKAGING

REVISIONS				
REV.	ECN	DESCRIPTION	BY	DATE
A	8000037093	INITIAL RELEASE	RJC	09/18/2019



<b>COMMSCOPE, INC. OF NORTH CAROLINA</b>									
TOLERANCES					SAP MATERIAL MASTER				
0 PLACE X ± .25		2 PLACE .XX ± 0.06			<b>RMPP-2001</b>				
1 PLACE .X ± 0.12		ANGLES ± 2°							
FINISH GALV A123					MATERIAL A529, A1011/A1018				
UNLESS OTHERWISE SPECIFIED DIMENSIONS ARE IN INCHES INTERPRET PER ANSI Y 14.5M-1994	CE	RJC	08/21/19	<b>RINGMOUNT PRESSURE PLATE BRACKET</b>					
	RW	BCAMPBELLCON	09/23/2019						
	RV								
	AD	MC1107	09/23/2019						
	RE	FA1024	10/02/2019						
ECN 008000037093				SCALE <b>1:1</b>	DOCUMENT NO. <b>RMPP-2001</b>				
SIZE	WORK AREA	24	MODEL			DRAWING			
C		VERSION	STATUS	REVISION	VERSION	STATUS	REVISION	SHEET	
		00	RE	A	01	RE	A	1 OF 1	

ITEM	PART NO.	DESCRIPTION	QTY.	NOTE NO.
1	RMPP-1001	WELDMENT, RINGMOUNT PRESSURE PL BRACKET	1	
2	MTC9402	5/8" X 2-1/2" FULL THREAD BOLT	1	
3	GNJ-05	5/8" GALV SQUARE NUT	1	

DENSITY		lbs/in <sup>3</sup>
MASS	3.56	lbs
VOLUME	15.44	in <sup>3</sup>
SURFACE AREA	105.21	in <sup>2</sup>
HEIGHT	2.90	
LENGTH	5.50	
WIDTH	3.50	

4

3

2

1