

4

3

2

1

1.0 GENERAL NOTES

- 1.1 ALL METRIC DIMENSIONS ARE IN BRACKETS [X.X]
- 1.2 FOR PATENT INFO: <https://www.cs-pat.com>

2.0 DESIGN NOTES

3.0 MANUFACTURING/SPECIAL REQUIREMENTS

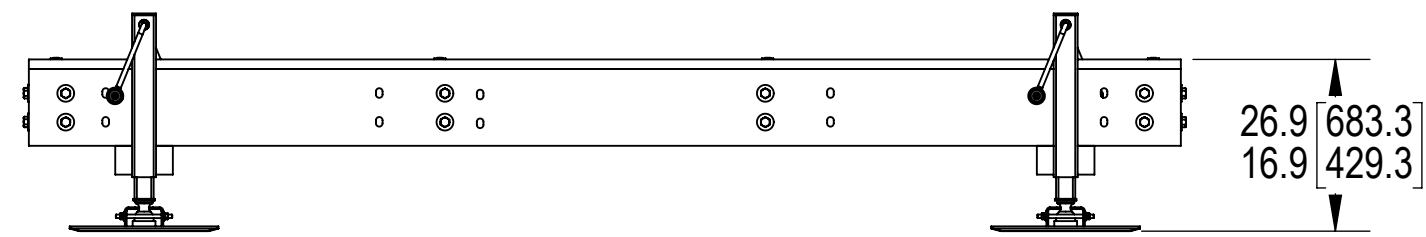
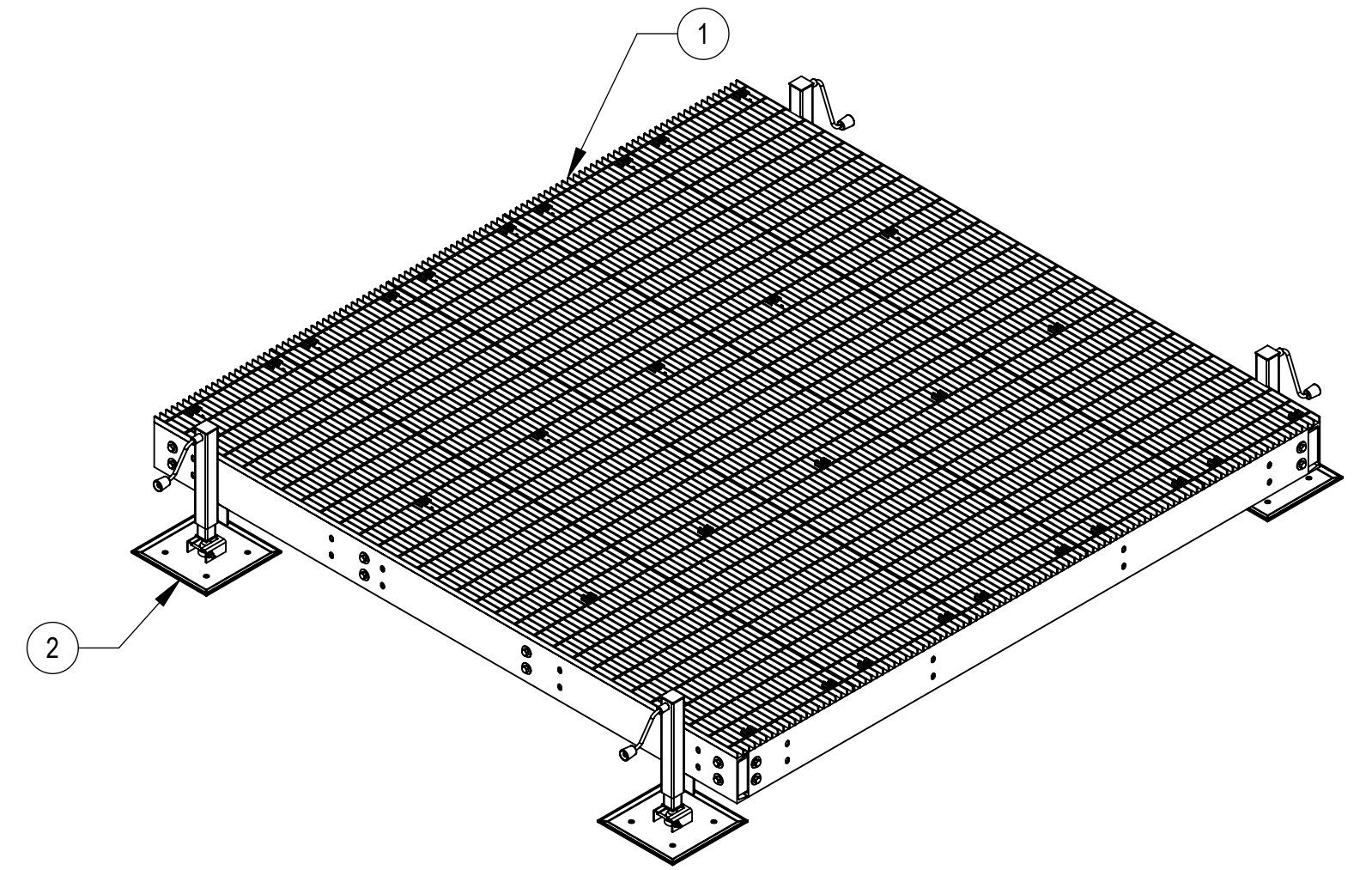
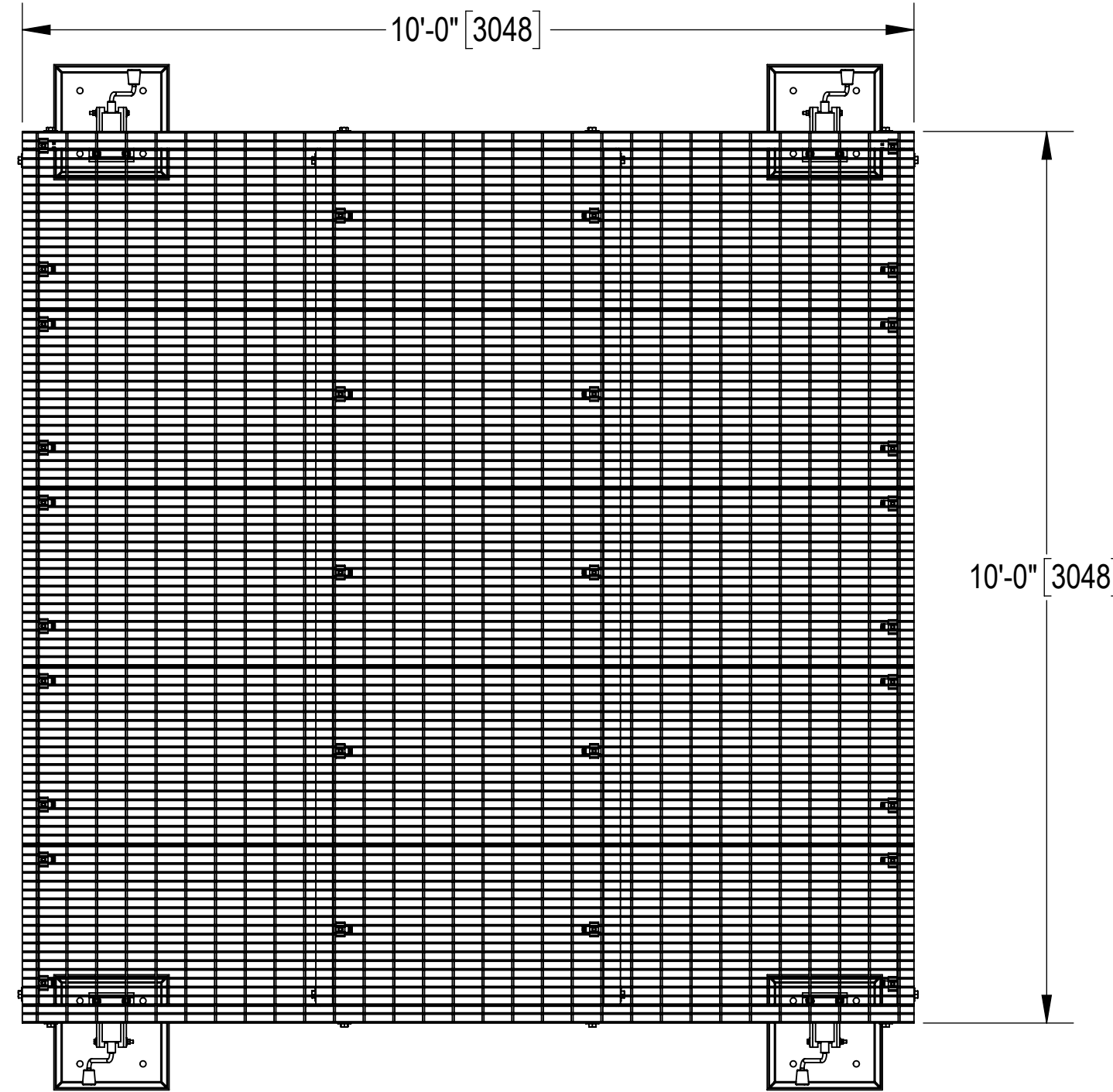
- 3.1 TIGHTEN ALL BOLTS SECURING FLAT PLATES BY THE TURN-OF-NUT METHOD. TIGHTEN ALL U-BOLTS USING TURN-OF-NUT METHOD WITH ATTENTION TO LEAVE EQUAL DISTANCE AND EQUAL FORCE ON EACH LEG OF THE U-BOLT.

4.0 TEST

5.0 PACKAGING

- 5.1 PACKAGING SHALL MEET COMMSCOPE REQUIREMENTS PER DOCUMENT IS-PL-3005
- 5.2 PRINTED DOCUMENT TO BE PLACED INSIDE POLYBAG AND THEN IN SHIPPING CONTAINER
- 5.3 EXTRA HARDWARE MAYBE SUPPLIED, BAGGED AND SHIPPED

REVISIONS			
REV.	DESCRIPTION	DATE	APPROVED
C	UPDATE BASE PLATFORM WEIGHT	ACG 06FEB07	
D	REDRAWN IN SOLIDWORKS	YMENG 15FEB23	BA1025 40166141CMO



COMMSCOPE, INC. OF NORTH CAROLINA

TOLERANCES		SAP MATERIAL MASTER	
1 PLACE .X[X] ± .06[1.5]	3 PLACE XXX[X] ± .010[0.25]	EQ-P1010-AL	
2 PLACE .XX[X] ± .03[0.76]	ANGLES ± 2°		
FINISH		MATERIAL	
UNLESS OTHERWISE SPECIFIED DIMENSIONS ARE IN INCHES INTERPRET PER ANSI Y 14.5M-1994	NAME	DATE	TITLE
	CE YMENG	15FEB23	EQUIPMENT PLATFORM, 10' X 10', 4 AL LEGS
	RW YMENG	02/16/2023	
	AD BA1025	02/17/2023	
	RE YMENG	02/17/2023	
ECN 40166141CMO			
SCALE	DOCUMENT NO.	EQ-P1010-AL	
1:24			
SIZE	Auth Group	INSL	MODEL
C			
VERSION	STATUS	REVISION	DRAWING
00	RE	D	VERSION STATUS REVISION
			00 RE D
			SHEET
			1 OF 1

COMPONENT PART NUMBERS PROVIDED FOR ASSEMBLY PURPOSES;  
INDIVIDUAL COMPONENTS MAY BE SHIPPED AS PARTS WITHIN AN INCLUDED KIT.

ITEM	PART NO.	DESCRIPTION	QTY.	WEIGHT	NOTE NO.
1	EQ-P1010-B	10' X 10' EQUIPMENT PLATFORM BASE	1	1456.24 LBS	
2	EQ-P-AL	ADJ. LEG FOR EQUIPMENT PLATFORMS	4	56 LBS	

4

3

2

1