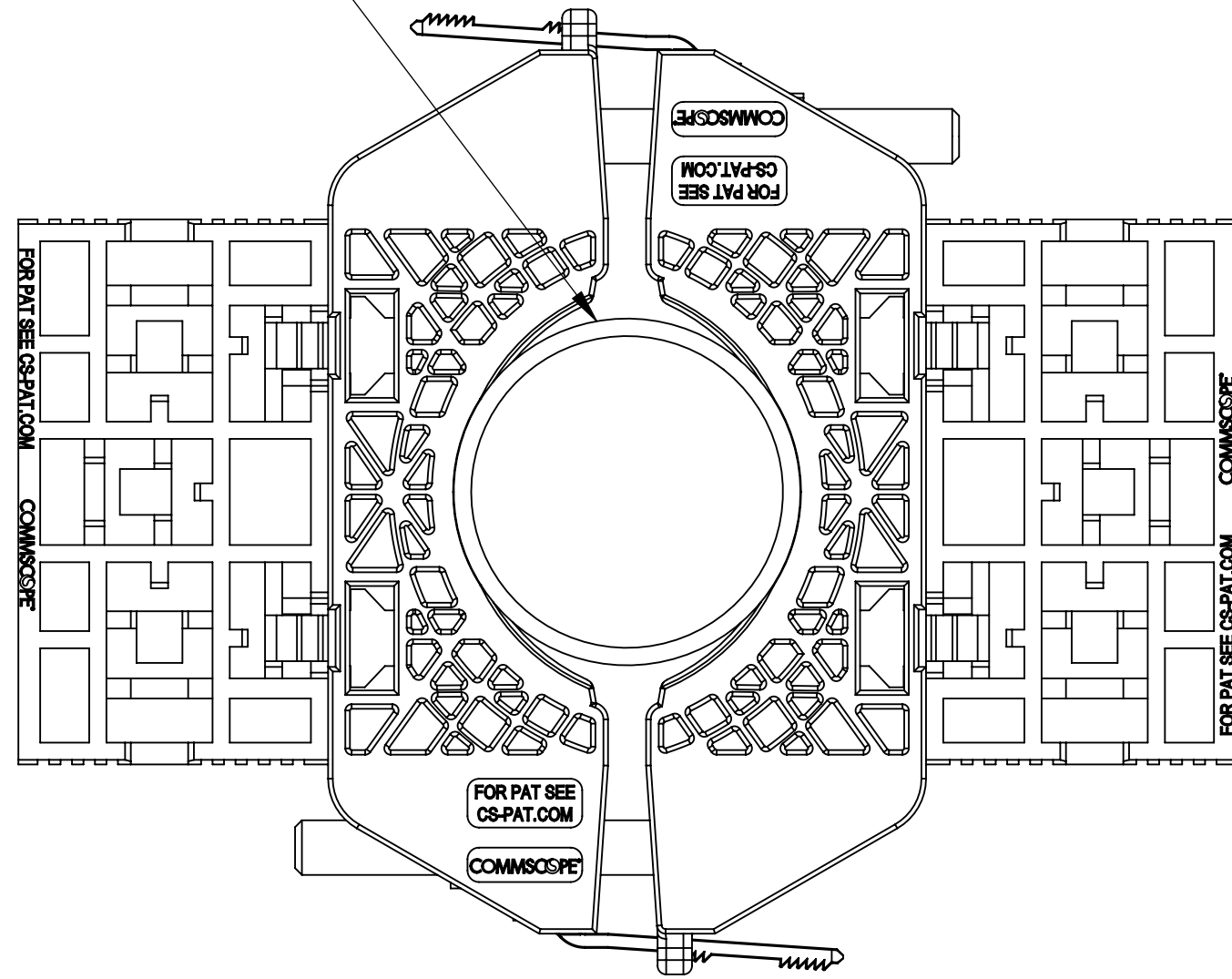


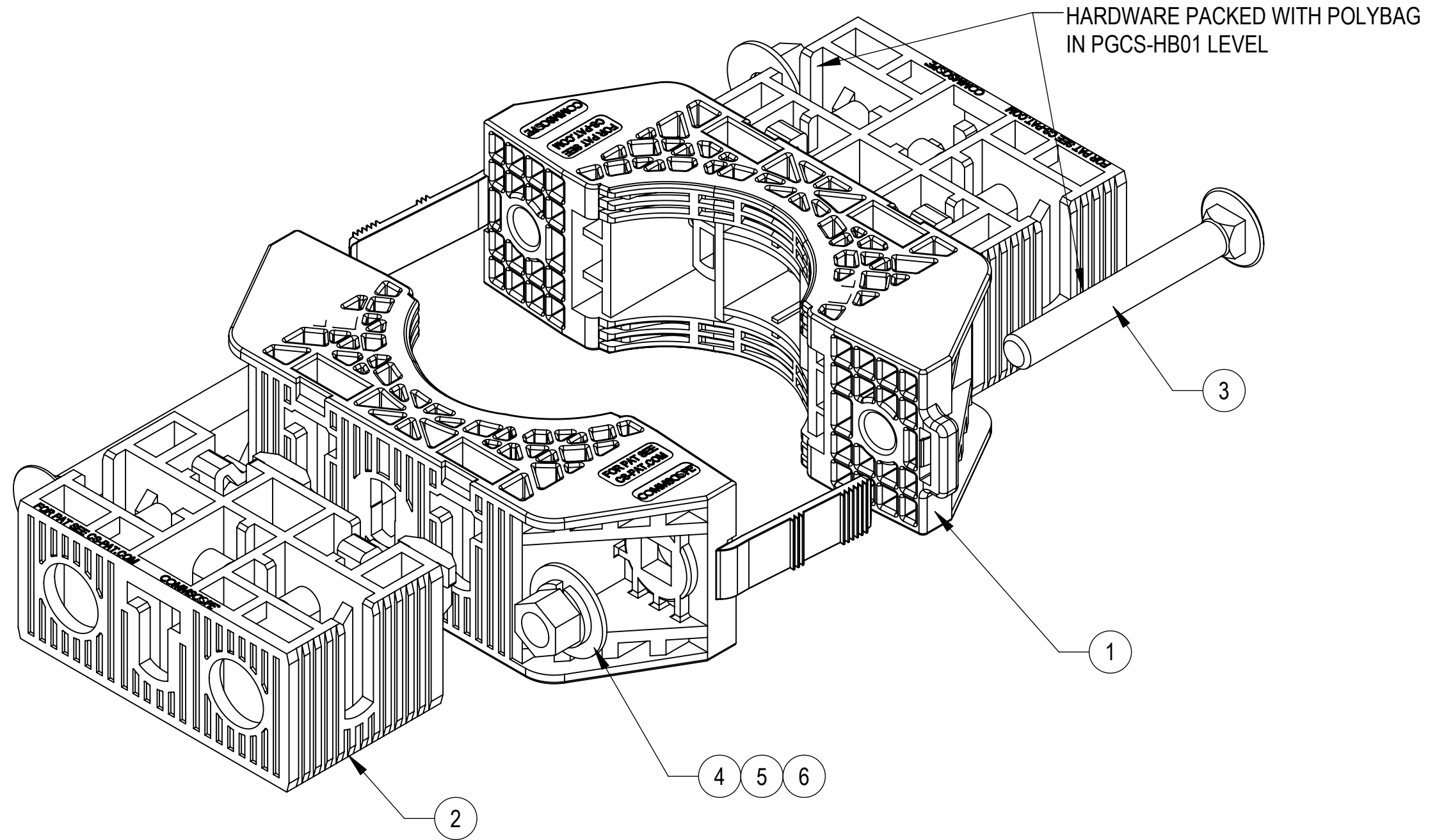
- 1.0 GENERAL NOTES
 - 1.1 ALL METRIC DIMENSIONS ARE IN BRACKETS [X.X]
 - 1.2 FEATURES CRITICAL TO QUALITY ARE INDICATED IN ROUNDED BOX (X.X)
- 2.0 DESIGN NOTES
- 3.0 MANUFACTURING/SPECIAL REQUIREMENTS
 - 3.1 TIGHTEN ALL BOLTS SECURING FLAT PLATES BY THE TURN-OF-NUT METHOD.
- 4.0 TEST
- 5.0 PACKAGING
 - 5.1 PACKAGING MUST BE AGREED TO IN WRITING BY COMMSCOPE PRIOR TO MASS-PRODUCTION APPROVAL.
 - 5.2 PARTS ARE TO BE PACKAGING IN A MANNER TO PREVENT DAMAGE DURING SHIPMENT & STORAGE.
 - 5.3 PACKAGING TO ADHERE TO ALL COMMSCOPE, LOCAL & FOREIGN (WHERE APPLICABLE) SHIPPING REQUIREMENTS.
 - 5.4 PACKAGING & PARTS TO BE FREE OF ALL CONTAMINANTS INCLUDING PAPER FROM BOX, DIRT, DUST, OILS, MOLD RELEASE, DETERGENT AND ALL OTHER FOREIGN MATERIALS.

REVISIONS			
REV.	DESCRIPTION	DATE	APPROVED
A	INITIAL RELEASE	JL1183 19DEC22	JW1064 40157351CMO
B	ADDED NOTE	JL1183 07MAR23	JW1064 40167376CMO
C	REDESIGNED MODEL	YMENG 23MAY23	JX1030 40171556CMO
D	UPDATED VIEWS FOR PGCS-1000(ITEM 1) CHANGES	JL1183 20MAY24	JX1030 40196037CMO
E	UPDATED PIPE FIT NOTE	JL1183 17JUN24	JX1030 40198252CMO
F	PGCS-6000 (ITEM 2) WAS PGCS-4000	YX1027 18SEP24	JX1030 40204699CMO

FIT $\varnothing 2.375$ " O.D. OR $\varnothing 2.875$ " O.D. PIPE
(NOT INCLUDED IN THIS KIT)



ASSEMBLY TOP VIEW



INSTALLATION ASSEMBLY

COMPONENT PART NUMBERS PROVIDED FOR ASSEMBLY PURPOSES;
INDIVIDUAL COMPONENTS MAY BE SHIPPED AS PARTS WITHIN AN INCLUDED KIT.

ITEM NO.	PART NUMBER	DESCRIPTION	QTY.	WEIGHT
1	PGCS-1000	CLAMP,FRONT-REAR, POLYMER 4CP	2	0.32 LBS
2	PGCS-6000	ADAPTER, POLYMER, 2CP	2	0.09 LBS
3	9615-15	BOLT,CARRIAGE,3/8-16,3,STL GALV	2	0.12 LBS
4	GWf-03	3/8" FLAT WASHER	2	0.01 LBS
5	GWL-03	3/8" GALV LOCK WASHER	2	0.01 LBS
6	GN-03	3/8" GALV HEX NUT	2	0.02 LBS

DENSITY		lbs/in ³
MASS	1.17	lbs
VOLUME	27.62	in ³
SURFACE AREA	450.63	in ²
HEIGHT	5.0"	
LENGTH	6.6"	
WIDTH	2.0"	

COMMSCOPE, INC. OF NORTH CAROLINA												
TOLERANCES						SAP MATERIAL MASTER						
1 PLACE .X[X] ± 0.2[6.3]			3 PLACE .XXX[X] ± 0.060[1.5]			PGP-CS04						
2 PLACE .XX[X] ± 0.12[3.0]			ANGLES ± 2°			FINISH						
FINISH						MATERIAL						
UNLESS OTHERWISE SPECIFIED DIMENSIONS ARE IN INCHES INTERPRET PER ANSI Y 14.5M-1994												
		NAME		DATE		TITLE						
CE		JL1183		19DEC22		PG PREMIUM,CBL-SUPPORT,4-HOLE						
RW		YX1027		09/22/2024		SCALE						
AD		JX1030		09/22/2024		1:5			DOCUMENT NO.			
RE		LMCDOWEL		10/02/2024		PGP-CS04						
ECN 40204699CMO												
SIZE		Auth Group		INSL		MODEL			DRAWING			
C		⊕		◁		VERSION		STATUS	REVISION	VERSION	STATUS	REVISION
						03		RE	D	05	RE	F
SHEET 1 OF 1												