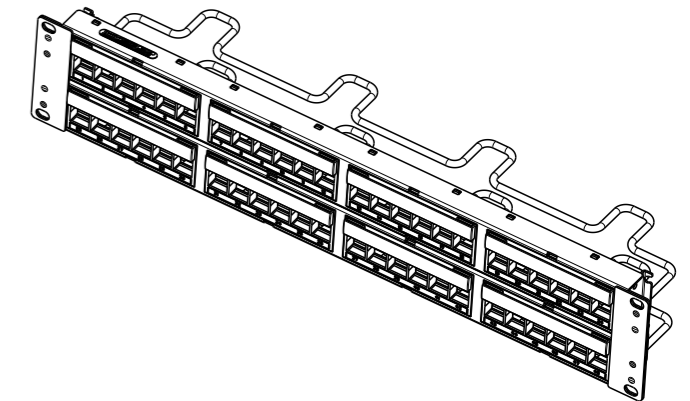
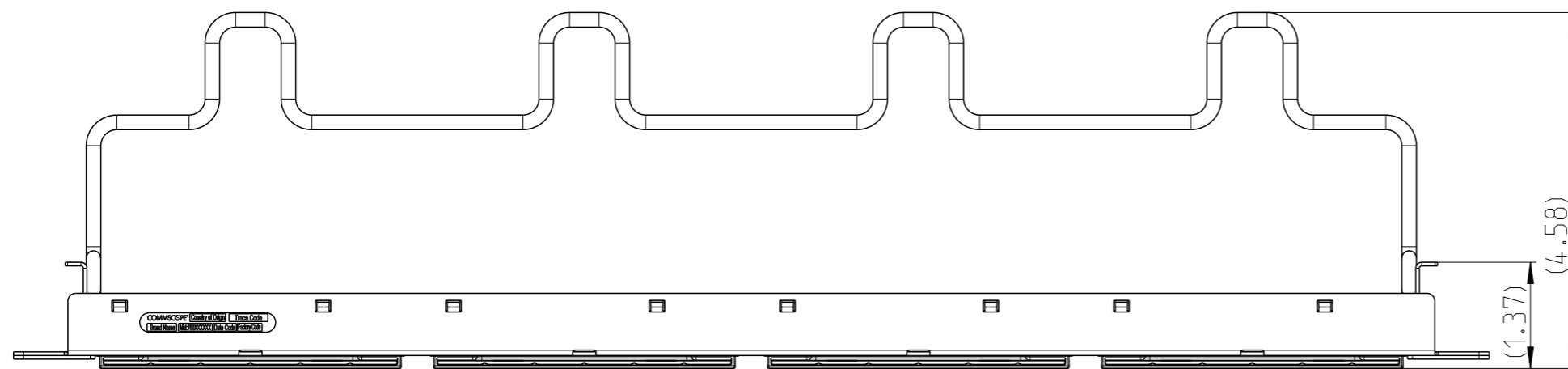
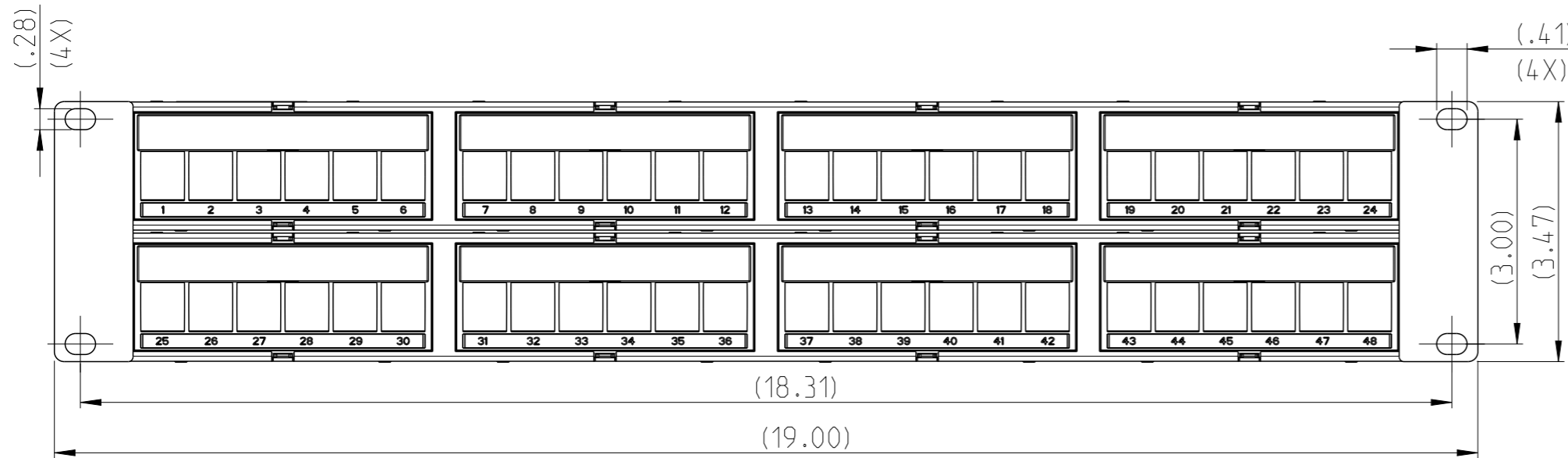


REVISIONS			
REV	CMO	DATE	APPROVED
A	40164323CMO	20-JAN-2023	SA

NOTES:

1. DIMENSIONS SHOWN ARE FOR REFERENCE ONLY.
2. PRODUCT SUPPLIED UNASSEMBLED.
3. DIMENSION UNIT IS : INCH



CPP-UDDM-KJ-2U-48-WH		760250084	
DESCRIPTION		PART NUMBER	
COMMSCOPE, INC.			
DRAFTER PRASANNA W	TITLE Discrete Distribution Module Panel, KJ, UTP, 2U, 48 port, White		
ENGINEER SANDESH A	SIZE A3	SCALE 1:2	DOCUMENT NO. 760250084
		CUSTOMER DRAWING	REVISION SHEET A 1 OF 1